

KEY	PART NO.	PART NAME	QTY	REMARKS	
1	RE537964	DIPSTICK	1		
2	R10093	O-RING	1		
3	R116411	DIPSTICK TUBE	1		
4	14H826	NUT	1	1/2"	

<https://www.ebooklibonline.com>

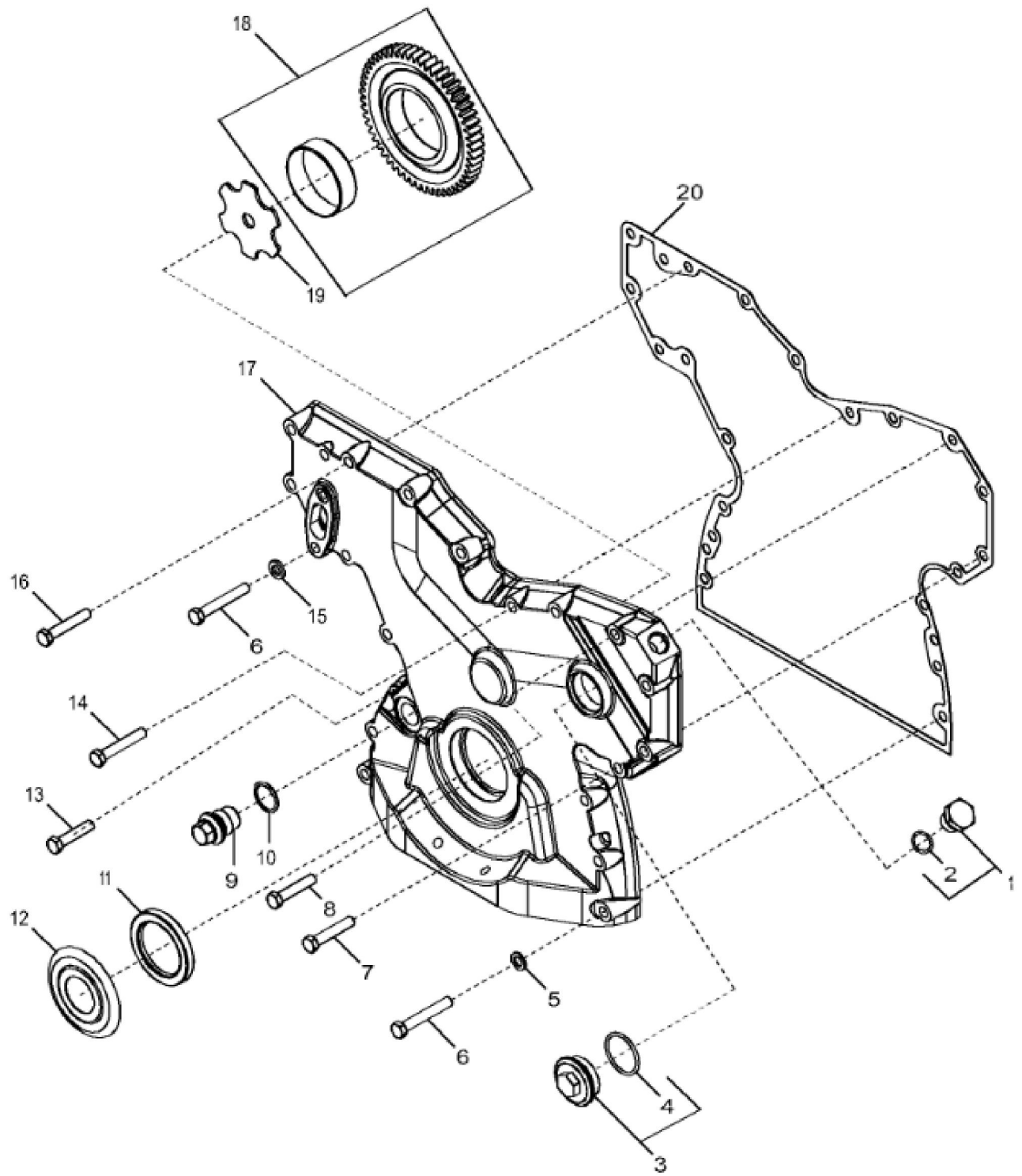
Hello dear friend!

Thank you very much for reading.

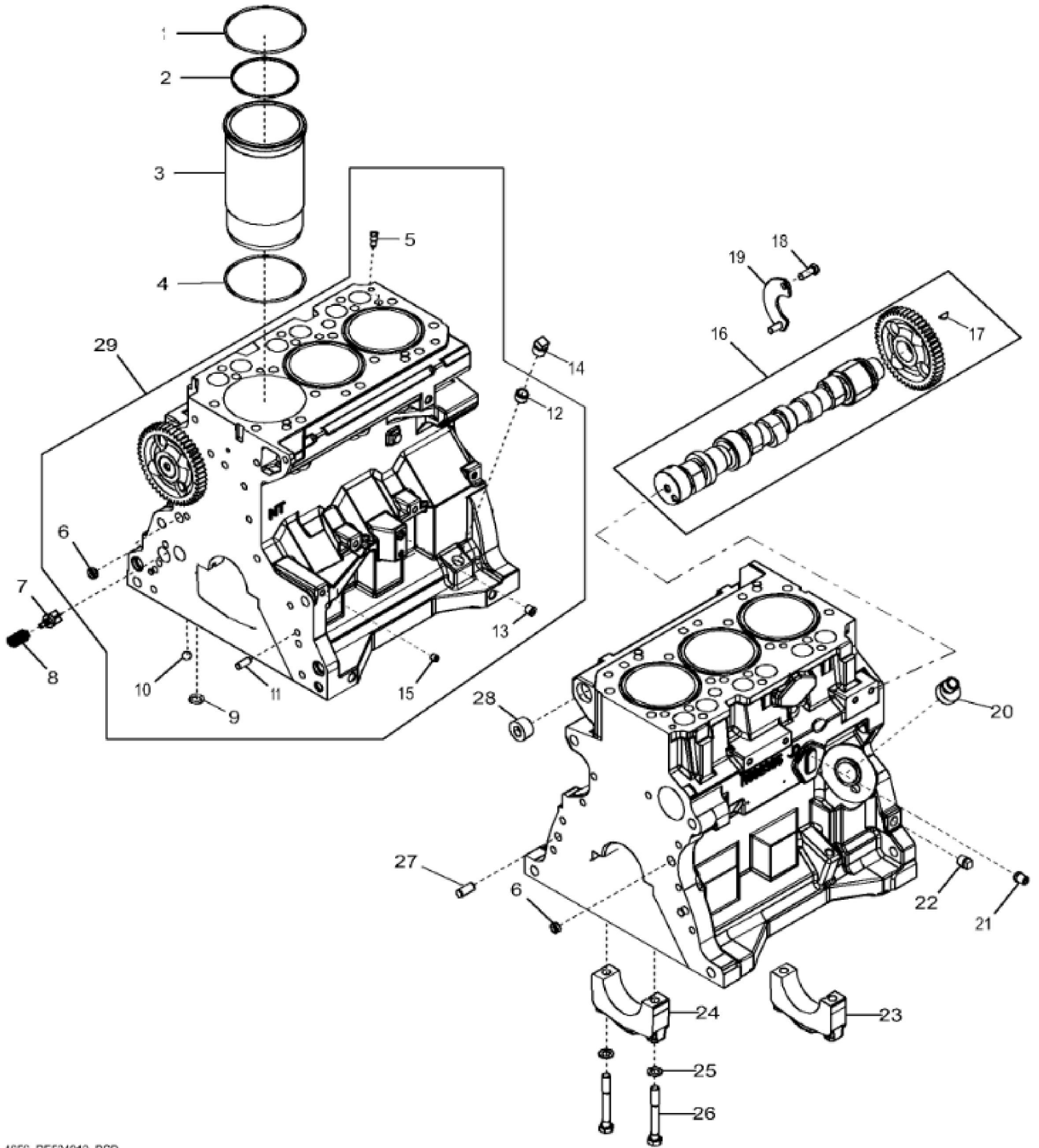
Enter the link into your browser.

The full manual is available for immediate download.

<https://www.ebooklibonline.com>



KEY	PART NO.	PART NAME	QTY	REMARKS	
1	RE517370	FITTING	1		
2	51M7044	O-RING	1	17.300 X 2.200 mm	
3	RE522656	FITTING	1		
4	51M7049	O-RING	1	38.600 X 2.900 mm	
5	24M7096	WASHER	15	10.500 X 18 X 1.600 mm	
6	19H3031	CAP SCREW	6	3/8" X 2-1/2"	
7	19H3065	CAP SCREW	2	3/8" X 2"	
8	19H2549	CAP SCREW	4	3/8" X 1-7/8"	
9	R91692	FITTING PLUG	1		
10	A4827R	WASHER	1		
11	AR67942	SEAL	1		
12	T20046	OIL SLINGER	1		
13	19H1765	CAP SCREW	1	3/8" X 1-3/4"	
14	19H2815	CAP SCREW	1	3/8" X 2-1/4"	
15	24M7106	WASHER	1	10 X 18 X 2.500 mm	
16	19H1819	CAP SCREW	2	3/8" X 2-1/8"	
17	R520716	COVER	1		
18	RE535076	GEAR	1		
19	R119739	THRUST WASHER	1		
20	R108654	SEAL	1		
..	T26327	SCREW	1		





Suggest:

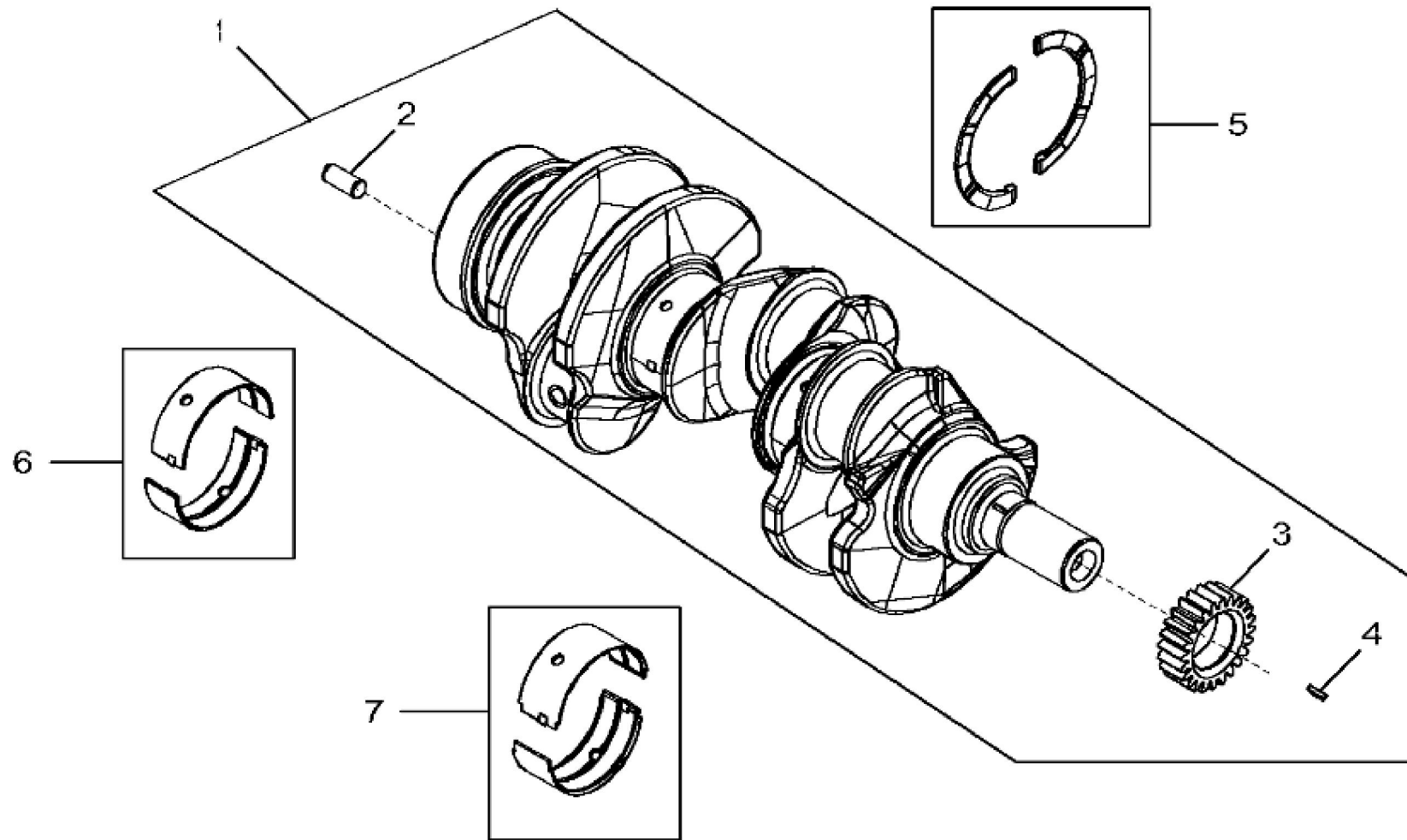
For more complete manuals. Please go to the home page.

<https://www.ebooklibonline.com>

If the above button click is invalid. Please download this document first, and then click the above link to download the complete manual.

Thank you so much for reading

KEY	PART NO.	PART NAME	QTY	REMARKS
1	R515466	O-RING	3	
2	R48767	PACKING	3	
3	R502260	CYLINDER LINER	3	
4	R515306	O-RING	3	
5	R54802	ORIFICE	3	
6	T18891	PLUG	2	
7	R121043	VALVE	1	
8	R111137	SPRING	1	
9	R97185	O-RING	1	
10	D2361R	BALL	1	
11	R26650	DOWEL PIN	2	
12	R26493	BUSHING	1	
13	15H275	PIPE PLUG	1	1/4"
14	15H237	PIPE PLUG	1	1/2"
15	RE71255	PIPE PLUG	2	
16	RE535328	CAMSHAFT	1	
17	26H72	SHAFT KEY	1	1/8" X 5/8"
18	19H2676	CAP SCREW	2	3/8" X 1"
19	T20072	PLATE	1	
20	T23435	THREADED NIPPLE	1	
21	RE507807	PIPE PLUG	1	
22	15H695	PIPE PLUG	1	3/8"
23	CAP	3	ORDER PY0591
24	CAP	1	ORDER PY0591
25	T20168	WASHER	8	
26	T23474	CAP SCREW	8	
27	R48685	DOWEL PIN	4	
28	15H562	PIPE PLUG	1	1"
29	PY0591	CYLINDER BLOCK	1	MARKED R502385; INCLUDES R48685, RE507807, 15H653 AND 15H695



4719_RE536032_PCD

<https://www.ebooklibonline.com>

Hello dear friend!

Thank you very much for reading.

Enter the link into your browser.

The full manual is available for immediate download.

<https://www.ebooklibonline.com>