

4069_RE536380_PCD

KEY	PART NO.	PART NAME	QTY	Engine Serial No.	REMARKS	
1	RE524866	DIPSTICK	1	____-380822	(For 8.5 L Oil Pan)	
1	RE537964	DIPSTICK	1	380823-____	(For 6.5 L Oil Pan)	
2	R10093	O-RING	1			
3	R116411	DIPSTICK TUBE	1			
4	14H826	NUT	1		1/2"	

<https://www.ebooklibonline.com>

Hello dear friend!

Thank you very much for reading.

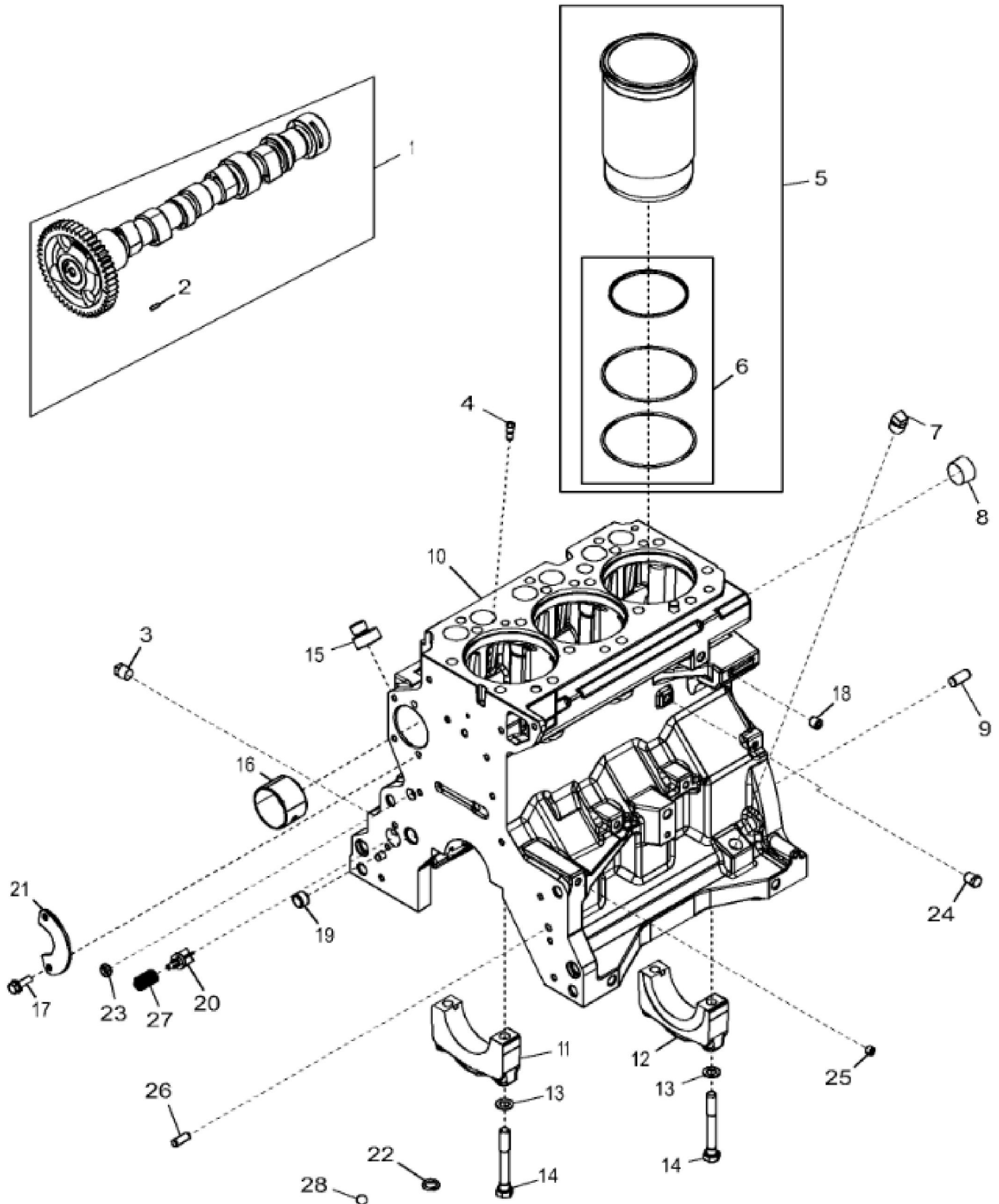
Enter the link into your browser.

The full manual is available for immediate download.

<https://www.ebooklibonline.com>



KEY	PART NO.	PART NAME	QTY	REMARKS	
1	R539400	GASKET	1		
2	RE535076	GEAR	1		
3	DZ100048	OIL SLINGER	1	SUB FOR T20046	
4	R131206	THRUST WASHER	1		
5	19M8528	SCREW	1	M10 X 55	
6	RE517370	FITTING	1		
7	51M7044	O-RING	1	17.300 X 2.200 mm	
8	R535041	COVER	1		
9	19M7800	SCREW	7	M8 X 50	
10	19M7801	SCREW	6	M8 X 60	
11	19M7979	SCREW	2	M8 X 55	
12	19M8317	SCREW	1	M8 X 40	
13	A4827R	WASHER	1		
14	R91692	FITTING PLUG	1		
15	AR67942	SEAL	1		
16	51M7049	O-RING	1	38.600 X 2.900 mm	
17	RE52977	DRAIN PLUG	1	ORDER RE522656	





Suggest:

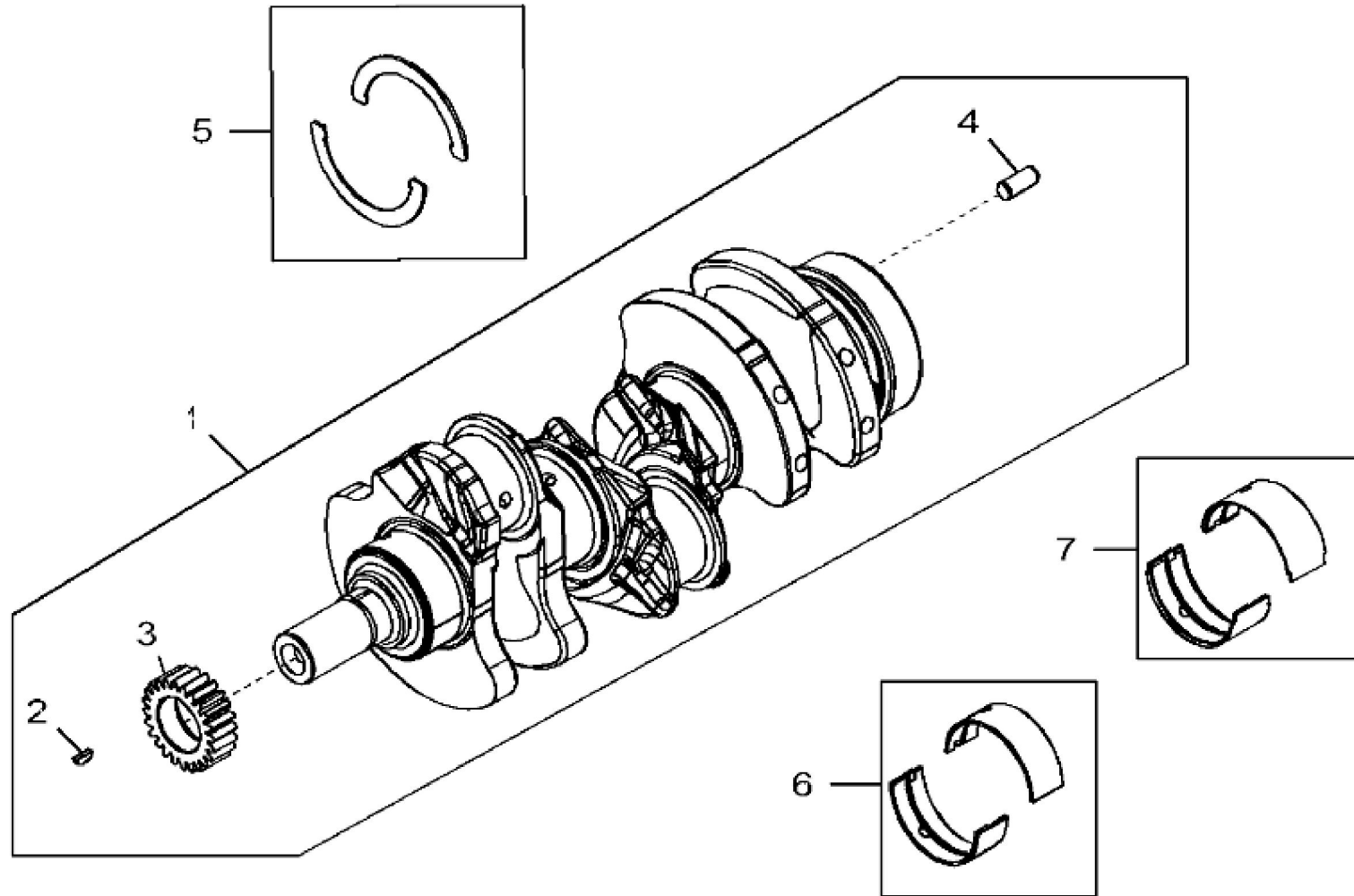
For more complete manuals. Please go to the home page.

<https://www.ebooklibonline.com>

If the above button click is invalid. Please download this document first, and then click the above link to download the complete manual.

Thank you so much for reading

KEY	PART NO.	PART NAME	QTY	REMARKS
1	RE535328	CAMSHAFT	1	MARKED R502183
2	26H72	SHAFT KEY	1	1/8" X 5/8"
3	15H695	PIPE PLUG	1	3/8"
4	R54802	ORIFICE	3	
5	RE545964	PISTON-LINER KIT	3	
6	RE525162	O-RING KIT	3	
7	15H584	PIPE PLUG	1	1/2"
8	15H653	PIPE PLUG	1	1"
9	A120R	DOWEL PIN	4	
10	CYLINDER BLOCK	1	MARKED DZ103053; ORDER DZ105995
10	DZ105995	SHORT BLOCK ASSEMBLY	1	
11	R65215	BEARING CAP	3	
12	R79089	CAP	1	
13	T20168	WASHER	8	
14	R528387	CAP SCREW	8	
15	T23435	THREADED NIPPLE	1	
16	R119874	BUSHING	1	
17	19M8999	SCREW	2	M8 X 25
18	15H275	PIPE PLUG	1	1/4"
19	R26493	BUSHING	1	
20	R121043	VALVE	1	
21	R534150	PLATE	1	
22	R97185	O-RING	1	
23	T18891	PLUG	2	
24	RE507807	PIPE PLUG	1	
25	RE71255	PIPE PLUG	2	
26	B153R	DOWEL PIN	2	
27	R111137	SPRING	1	
28	D2361R	BALL	1	



4728_RE552305_PCD

<https://www.ebooklibonline.com>

Hello dear friend!

Thank you very much for reading.

Enter the link into your browser.

The full manual is available for immediate download.

<https://www.ebooklibonline.com>