

KEY	PART NO.	PART NAME	QTY	REMARKS
1	LVU13644	ISOLATOR	1	RH AIRDAM
2	19M7864	BOLT	2	M8 X 12
3	LVU12391	HEAT SHIELD	1	RH
4	14M7298	FLANGE NUT	1	M8
5	LVU12390	HEAT SHIELD	1	LH
6	19M7783	BOLT	1	M10 X 16
7	19M7866	BOLT	1	M8 X 20
8	LVU13646	ISOLATOR	1	LH AIRDAM
9	M801186	BOLT	18	
10	M806518	ENGINE CYLINDER HEAD GASKET	1	
11	30M7023	PLUG	1	
12	CH18079	SPRING PIN	1	
13	M806938	PLUG	1	
14	15H562	PIPE PLUG	1	1"
15	M800977	BUSHING	1	
16	M800978	SHAFT	1	
17	CH19101	BOLT	2	
18	M87801	PLUG	2	
19	M800974	PIPE	2	
20	CH10554	PACKING	4	
21	19M7864	BOLT	4	M8 X 12
22	AM875371	BEARING KIT	5	(STD)
22	MIA880550	BEARING	5	.25MM (.010") US, (SUB FOR AM875374)
23	BEARING CAP	4	
24	M801189	BOLT	10	
25	MIA880555	BEARING	2	(SUB FOR AM875373)
26	BEARING CAP	1	
27	CH10335	PLUG	2	
28	EPC200680	PLUG	1	
29	T113961	PLUG	1	
30	M802255	PIN	4	
31	DRAIN PLUG	1	
32	AM879992	CYLINDER BLOCK	1	
33	MIA882698	SHORT BLOCK ASSEMBLY	1	Not Illustrated; SUB FOR AM880565

<https://www.ebooklibonline.com>

Hello dear friend!

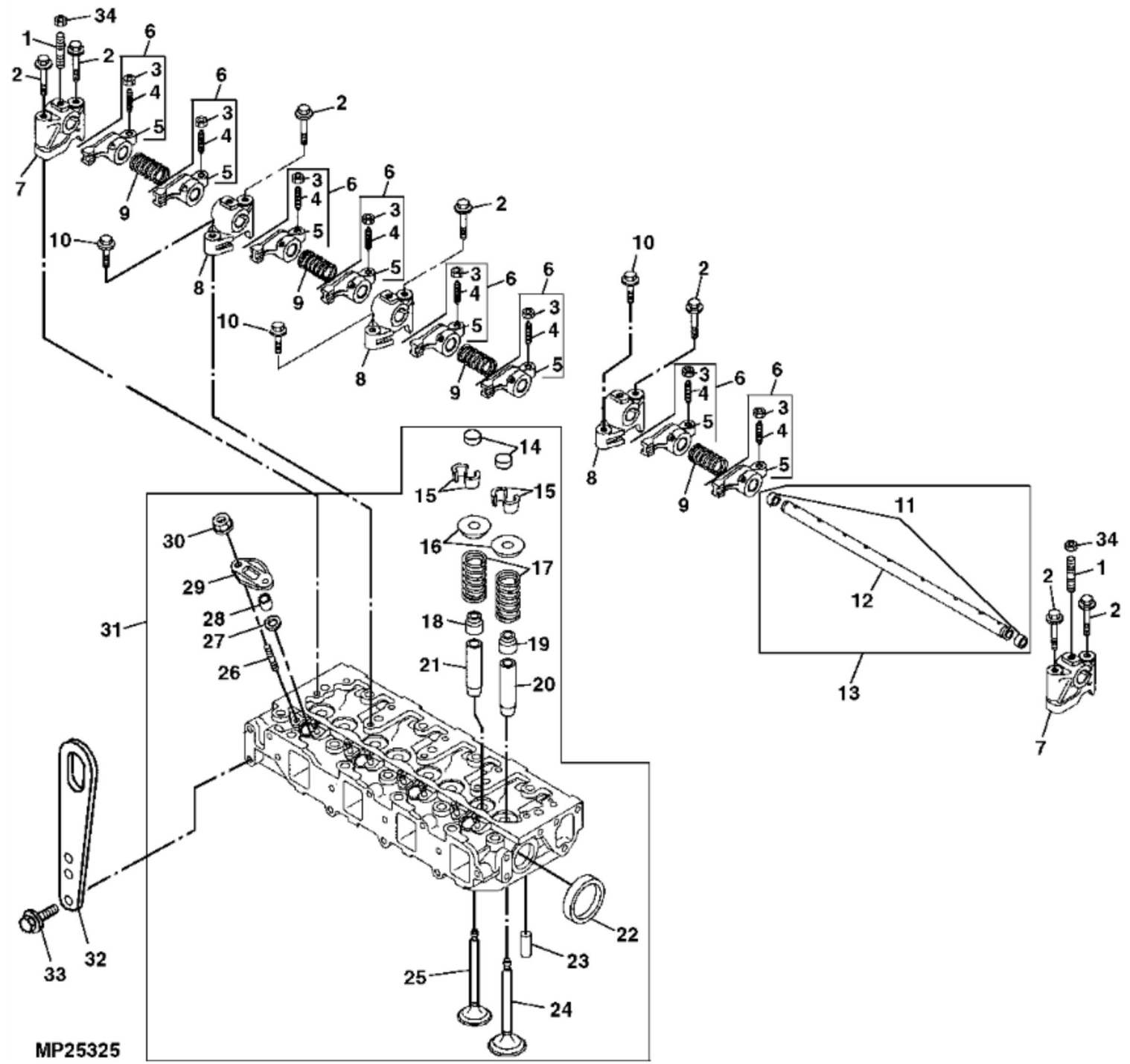
Thank you very much for reading.

Enter the link into your browser.

The full manual is available for immediate download.

<https://www.ebooklibonline.com>

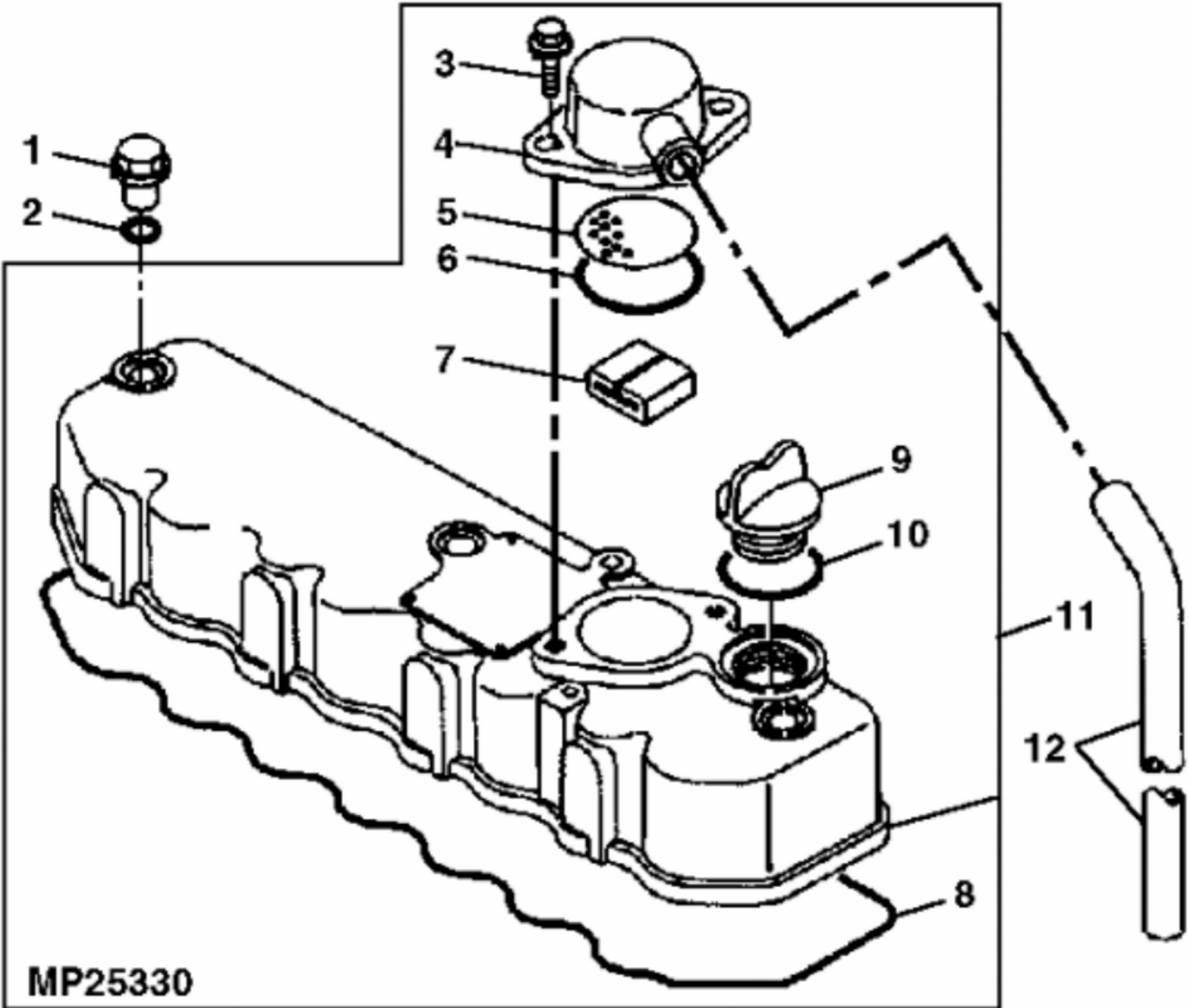
KEY	PART NO.	PART NAME	QTY	REMARKS	
..	AM131604	DIESEL ENGINE	1	(W/SST FLYWHEEL) (MARKED 4TNE84-EJT451C) (SUB AM880565)	
..	AM131608	DIESEL ENGINE	1	(W/PRT FLYWHEEL) (MARKED 4TNE84-EJT451) (SUB AM880565)	
..	AM880565	SHORT BLOCK ASSEMBLY	1		
..	LVU10366	ISOLATOR	1	BOTTOM AIRDAM	



MP25325

ARMS

KEY	PART NO.	PART NAME	QTY	REMARKS
1	M801024	STUD	3	
2	19M7800	SCREW	7	M8 X 50
3	M801028	NUT	8	
4	M801027	SCREW	8	
5	ROCKER ARM	8	
6	AM875383	ROCKER ARM	8	
7	M801022	SUPPORT	2	ROCKER ARM
8	M801023	SUPPORT	3	ROCKER ARM
9	M801025	SPRING	4	
10	19M7867	SCREW	3	M8 X 25
11	M800002	PLUG	2	
12	ROCKER ARM SHAFT	1	
13	AM875382	SHAFT	1	ROCKER ARM
14	M801224	CAP	8	
15	AM878862	RETAINER KIT	8	VALVE RETAINER, (SUB FOR CH10067)
16	M801223	RETAINER	8	SPRING
17	M801222	SPRING	8	VALVE
18	T110650	SEAL	4	EXHAUST
19	CH10450	SEAL	4	INTAKE
20	M801227	GUIDE	4	INTAKE
21	M801228	GUIDE	4	EXHAUST
22	CH16751	PLUG	2	
23	CH18079	SPRING PIN	2	
24	M801220	INTAKE VALVE	4	
25	M801221	EXHAUST VALVE	4	
26	M801219	BOLT	8	
27	M801017	VALVE SEAT	4	
28	M801016	GUARD	4	(SUB FOR M810460)
29	M801018	RETAINER	4	
30	14M7303	FLANGE NUT	8	M6
31	AM879737	CYLINDER HEAD	1	
32	AT211695	LIFT LINK	1	
33	19M7865	SCREW	2	M8 X 16
34	14M7273	NUT	3	M8



MP25330



Suggest:

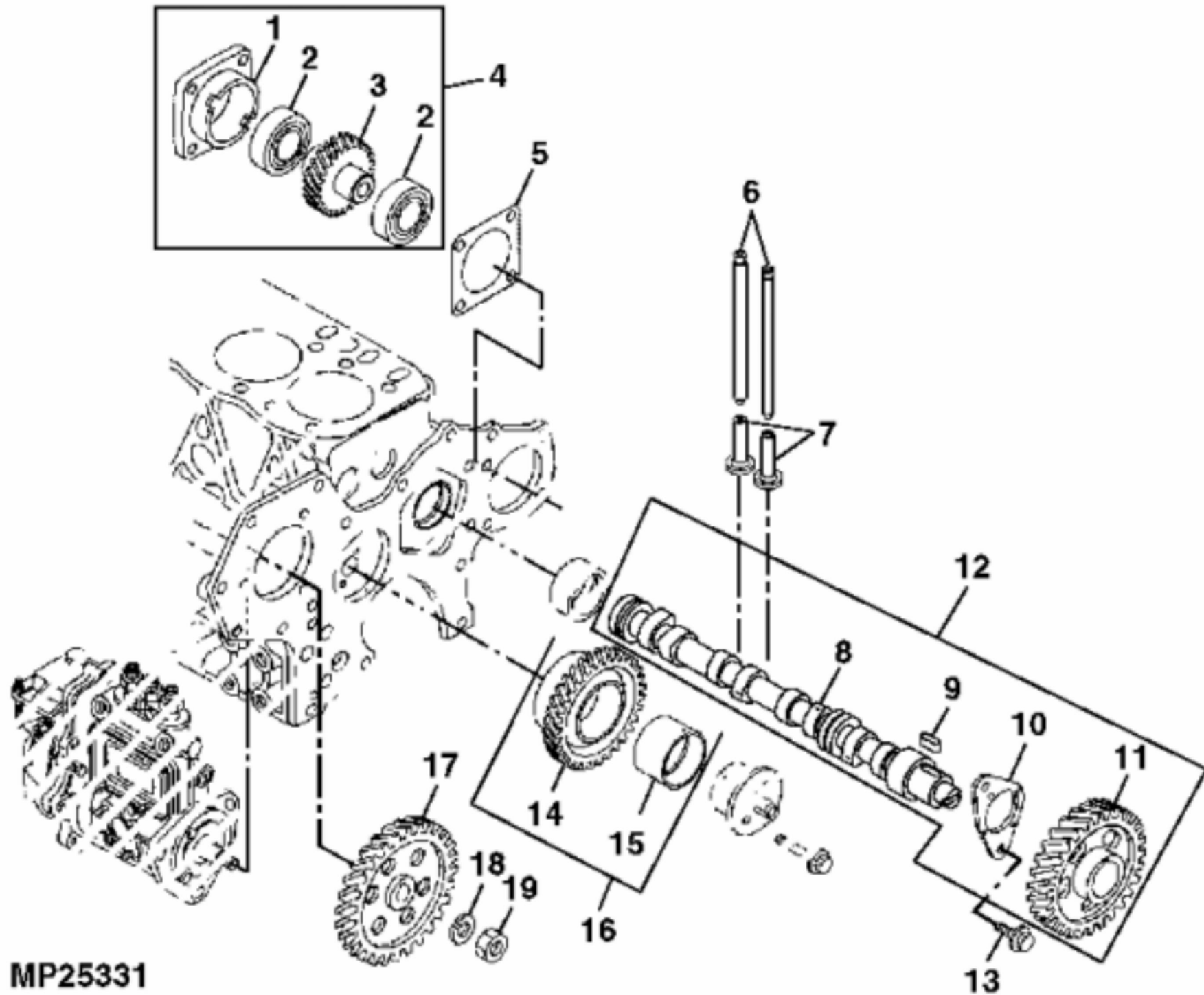
For more complete manuals. Please go to the home page.

<https://www.ebooklibonline.com>

If the above button click is invalid. Please download this document first, and then click the above link to download the complete manual.

Thank you so much for reading

KEY	PART NO.	PART NAME	QTY	REMARKS	
1	CH10348	NUT	3		
2	CH10568	PACKING	3		
3	19M7865	SCREW	2	M8 X 16	
4	M801031	CAP	1		
5	M801033	PLATE	1		
6	M801034	O-RING	1		
7	M801032	DEFLECTOR	1		
8	M801230	GASKET	1	BREATHER	
9	M805710	CAP	1	BREATHER	
10	M805711	PACKING	1		
11	RG60621	COVER	1		
12	M801037	HOSE	AR	BREATHER	



MP25331

<https://www.ebooklibonline.com>

Hello dear friend!

Thank you very much for reading.

Enter the link into your browser.

The full manual is available for immediate download.

<https://www.ebooklibonline.com>