

KEY	PART NO.	PART NAME	QTY	4475	5575	REMARKS
1	M805255	DIPSTICK	1	X		
1	M806813	DIPSTICK	1		X	
2	AM878597	CYLINDER BLOCK	1	X		(D)
2	AM878845	CYLINDER BLOCK	1		X	(E)
3	M801186	BOLT	1			
4	15H558	PIPE PLUG	1			1/8"
5	M89143	GUIDE	1			
6	M112792	DRAIN PLUG	1			
7	AM100856	SWITCH	1			OIL PRESSURE
8	M802255	PIN	2			
9	CH10335	PLUG	2			
10	M806840	PLUG	1			
11	CH18079	SPRING PIN	2			
12	30M7023	PLUG	6			(SUB FOR CH10642)
13	15H562	PIPE PLUG	1			1"
14	M800977	BUSHING	1			
15	M800978	SHAFT	1			(D) (E) IDLE GEAR
16	CH19101	BOLT	2			(D) (E) M8 X 45
17	M87801	PLUG	2			
18	AM875371	BEARING	4			STANDARD
18	AM875374	BEARING KIT	4			.25MM (.010") US
19	M801189	BOLT	8			
20	M800974	PIPE	2			(D) (E)
21	M802255	PIN	2			
22	AM875373	BEARING KIT	1			
23	M805010	DIPSTICK	1			
24	19M7865	SCREW	1			M8 X 16
25	CH10571	PACKING	1			
..	MG9844600	DIESEL ENGINE	1	X		(COMPLETE) (3TNE84-JSL) (NLA) (ORDER KV22845)
..	AM881187	CYLINDER BLOCK	1	X		(REPLACES MG9844600) (INCLUDES PARTS MARKED (D)) (SUB FOR AM881187)
..	MG86501580	DIESEL ENGINE	1		X	(COMPLETE) (3TNE88-JSL) (NLA) (ORDER KV23158)
..	AM881188	CYLINDER BLOCK	1		X	(REPLACES MG86501580) (INCLUDES PARTS MARKED (E)) (SUB FOR KV23158)

<https://www.ebooklibonline.com>

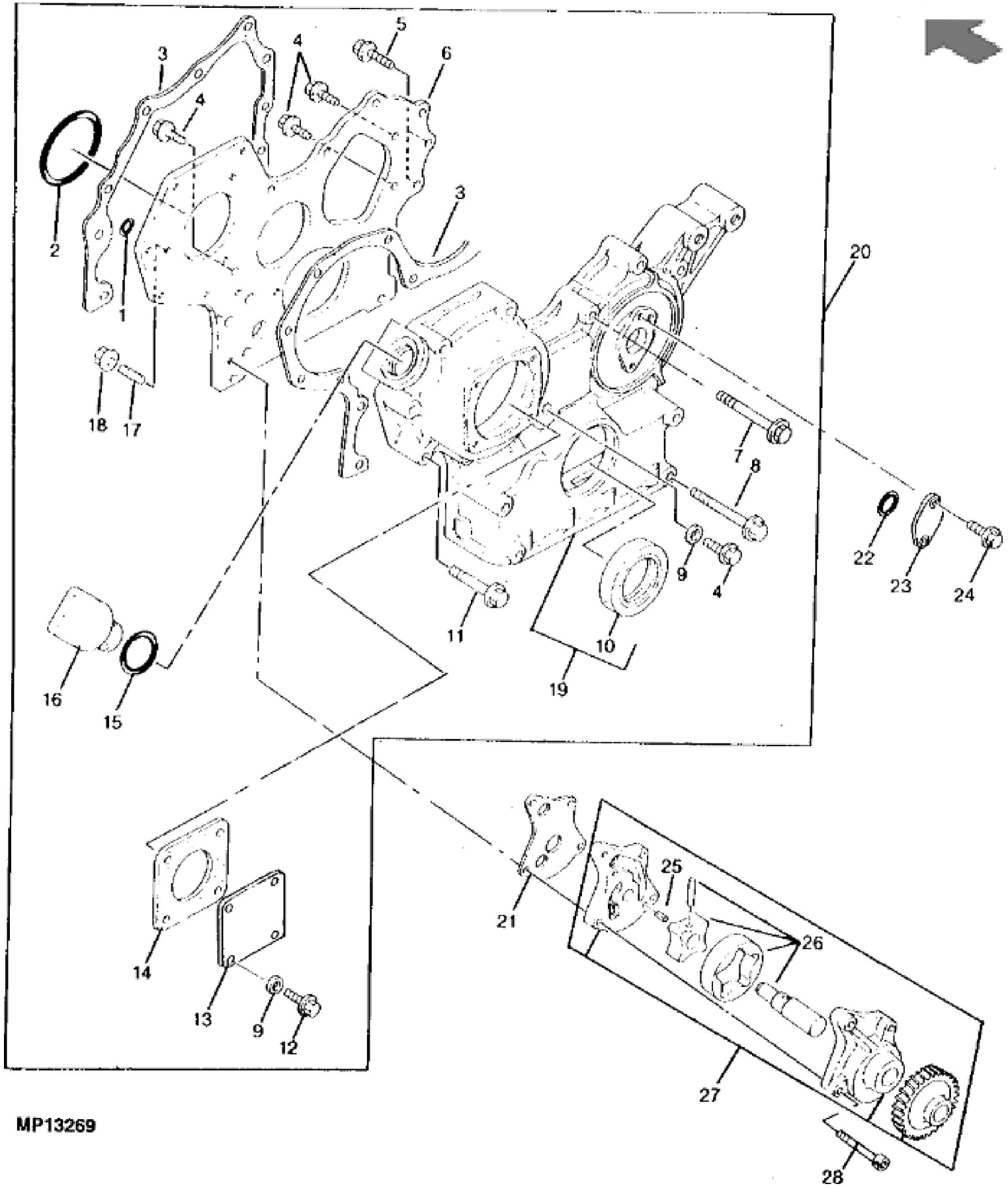
Hello dear friend!

Thank you very much for reading.

Enter the link into your browser.

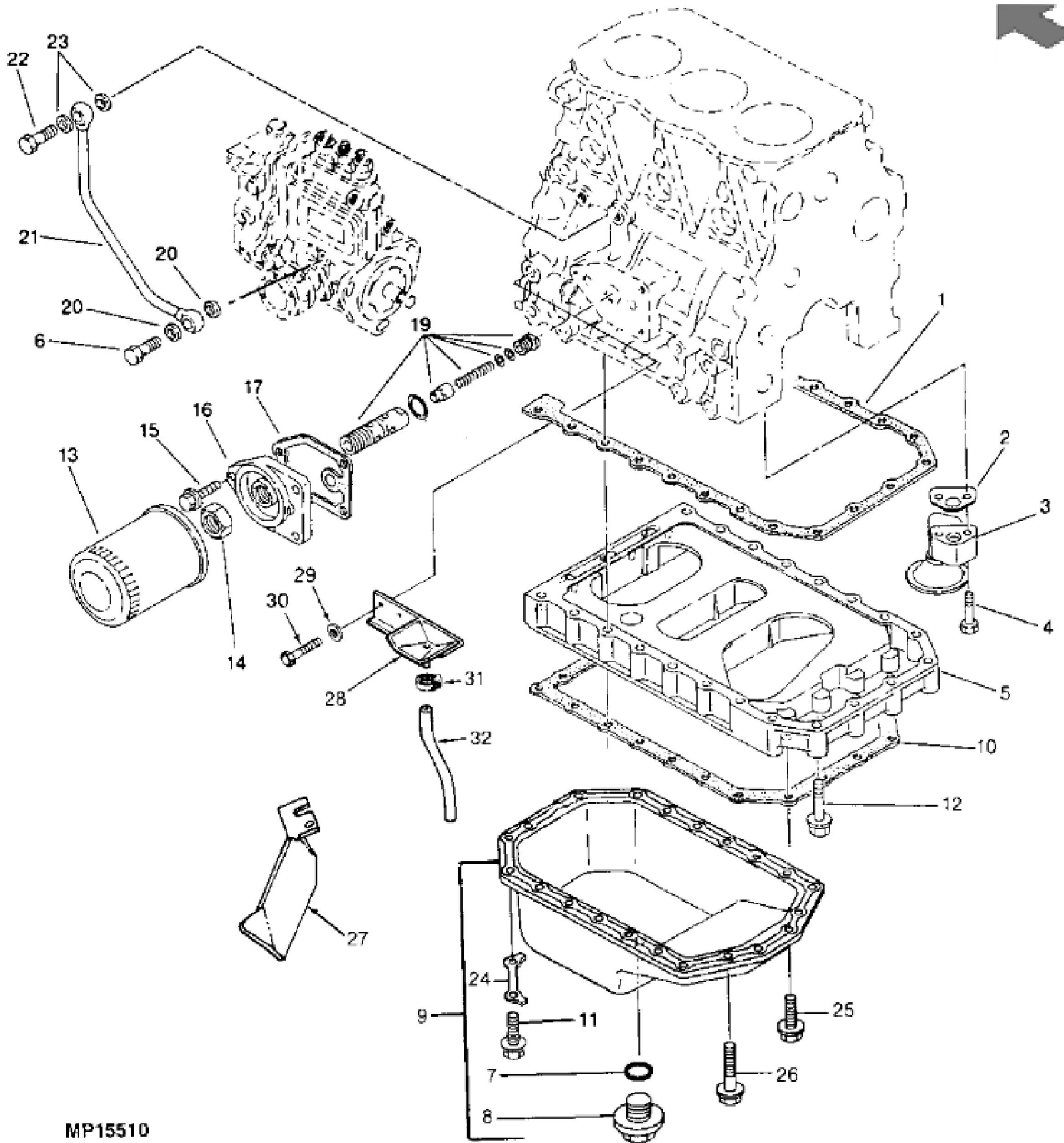
The full manual is available for immediate download.

<https://www.ebooklibonline.com>



MP13269

KEY	PART NO.	PART NAME	QTY	4475	5575	REMARKS
1	CH10570	O-RING	2			(D) (E)
2	CH16940	O-RING	1			(D) (E)
3	GASKET	1			(MAKE FROM M64850 ADHESIVE/SEALANT) (NOT INCLUDED WITH HOUSING)
4	19M7865	SCREW	4			(D) (E) M8 X 16
5	19M7866	SCREW	2			(D) (E) M8 X 20
6	M800989	PLATE	1			(D) (E)
7	19M7979	SCREW	3			(D) (E) M8 X 55
8	CH19136	BOLT	4			(D) (E)
9	M803523	WASHER	5			(D) (E) (SUB FOR M806424)
10	M800988	SEAL	1			
11	CH19101	BOLT	6			(D) (E)
12	19M7864	SCREW	4			(D) (E) M8 X 12
13	CH18096	COVER	1			(D) (E)
14	M805696	GASKET	1			(D) (E)
15	M805711	PACKING	1			(D) (E)
16	M805710	CAP	1			(D) (E)
17	CH15722	STUD	3			(D) (E)
18	14M7298	FLANGE NUT	3			(D) (E) M8
19	AM875303	COVER	1			(D) (E)
20	AM878200	GEAR CASE	1			(COMPLETE)
21	M801005	GASKET	1			(D) (E)
22	CH13526	PACKING	1			
23	M87874	COVER	1			
24	M88089	BOLT	2			
25	CH15933	SPRING PIN	2	X		
25	CH10539	SPRING PIN	2		X	
26	AM878786	ROTOR	1			(SUB FOR AM875378)
27	AM878778	OIL PUMP	1			(D) (E) (SUB FOR AM875377)
28	M800676	BOLT	4	X		(D) (E)
28	M806738	BOLT	1		X	(D) (E)





Suggest:

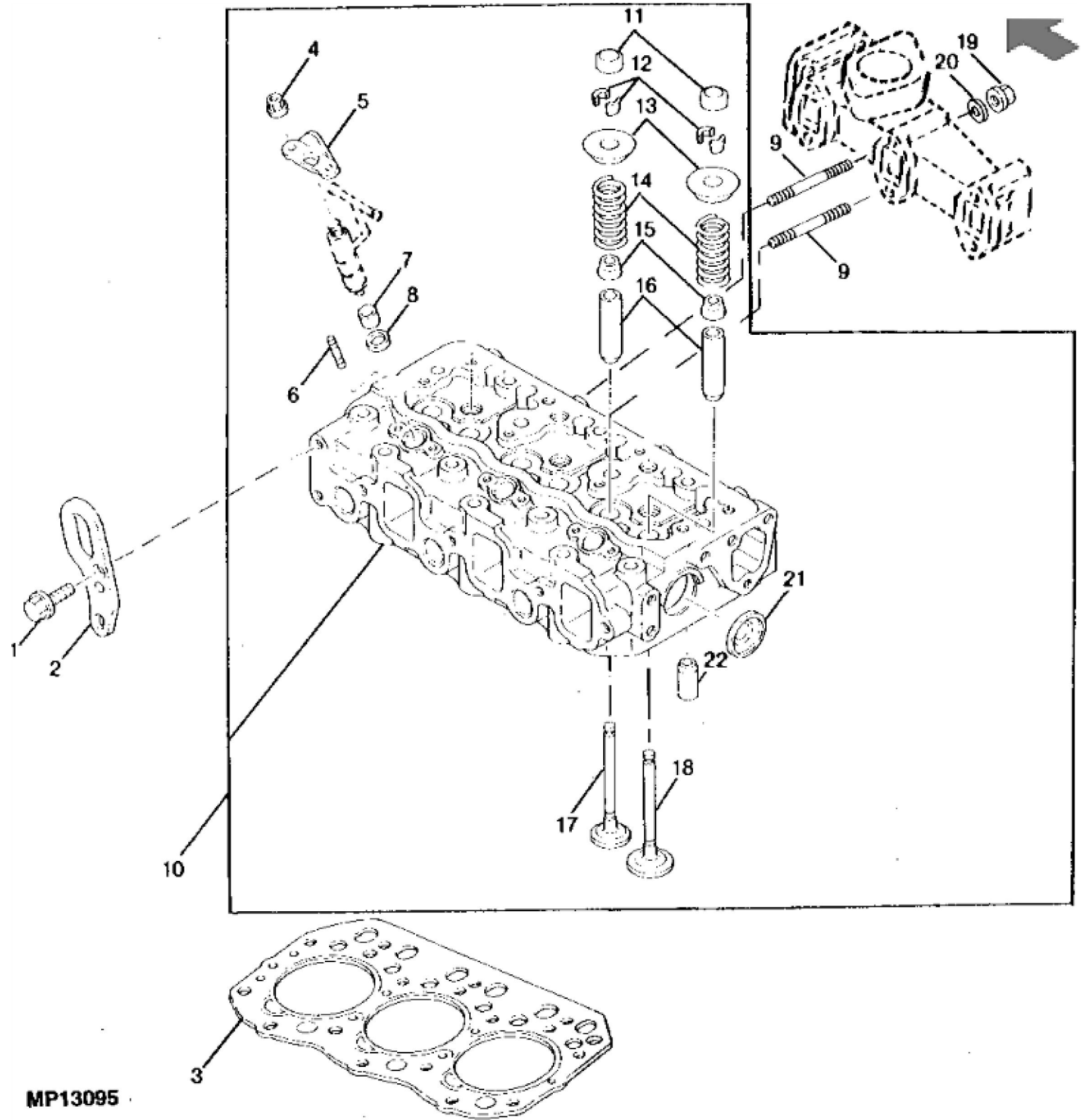
For more complete manuals. Please go to the home page.

<https://www.ebooklibonline.com>

If the above button click is invalid. Please download this document first, and then click the above link to download the complete manual.

Thank you so much for reading

KEY	PART NO.	PART NAME	QTY	REMARKS
1	GASKET	1	(MAKE FROM M64850 ADHESIVE/SEALANT)
2	M811792	GASKET	1	(SUB FOR M805829)
3	M801208	STRAINER	1	
4	19M7897	SCREW	2	M8 X 35
5	M801735	RESERVOIR	1	(D) (E)
6	CH15501	BOLT	1	(E)
7	CH13526	PACKING	1	
8	M800994	DRAIN PLUG	1	
9	RG60306	OIL PAN	1	(D) (E)
10	GASKET	1	(MAKE FROM M64850 ADHESIVE)
11	CH19101	BOLT	16	(D) (E)
12	19M7865	SCREW	4	(D) (E) M8 X 16
13	M806419	OIL FILTER	1	(D) (E) (SUB FOR M801209)
14	M89148	NUT	1	(D) (E)
15	19M7866	SCREW	3	(D) (E) M8 X 20
16	M801000	BRACKET	1	(D) (E)
17	M805830	GASKET	1	(D) (E)
18	CH10570	O-RING	1	(D) (E)
19	M806738	BOLT	1	(D) (E) (ORDER AM880983)
19	AM875306	VALVE	1	SERVICE ONLY
20	CH10554	PACKING	2	(E) (SUB FOR R180245)
21	AM875540	FUEL LINE	1	(E)
22	CH10361	BOLT	1	(E)
23	CH10555	WASHER	2	(E)
24	M801206	PLATE	2	
25	19M7867	SCREW	2	(D) (E) M8 X 25
26	19M7800	SCREW	4	M8 X 50
27	MG86510944	SHIELD	1	(SUB FOR M122461 OR MG86544974)
28	PAN	1	(MG9860215 NLA)
29	MG140045	LOCK WASHER	2	
30	19M7557	CAP SCREW	2	M10 X 16 (SUB FOR (2) MG140045)
31	MG9706921	HOSE CLAMP	1	
32	HOSE	1	(PURCHASE LOCALLY)



MP13095

<https://www.ebooklibonline.com>

Hello dear friend!

Thank you very much for reading.

Enter the link into your browser.

The full manual is available for immediate download.

<https://www.ebooklibonline.com>