

MP18654

John Deere > Turf And Utility >TRACTOR, COMPACT UTILITY >4400 - TRACTOR, COMPACT UTILITY >4400 Compact Utility Tractors >20 ENGINE (4400) >ST632333 - CYLINDER BLOCK AND MAIN BEARINGS

KEY	PART NO.	PART NAME	QTY	REMARKS
1	M801186	BOLT	14	
2	M806811	ENGINE CYLINDER HEAD GASKET	1	
3	AM878845	CYLINDER BLOCK	1	
4	CH10335	PLUG	3	
5	PT13744	PLUG	1	(ENGINE MARKED 3TNE88-JT44) (SUB FOR CH13504)
5	EPC200680	PLUG	1	(ENGINE MARKED 3TNE88-EJTS)
6	M802255	PIN	4	
7	M806840	PLUG	1	(SUB FOR M800973)
8	CH18079	SPRING PIN	2	
9	30M7023	PLUG	6	
10	15H562	PIPE PLUG	1	1"
11	M800977	BUSHING	1	CAMSHAFT
12	M800978	SHAFT	1	IDLER
13	CH19101	BOLT	2	
14	M87801	PLUG	2	
15	M800974	PIPE	2	
16	MIA880555	BEARING	2	THRUST, (SUB FOR AM875373)
17	AM875371	BEARING KIT	4	MAIN, STD
17	MIA880550	BEARING	4	25MM (.010") US, MAIN, (SUB FOR AM875374)
18	BEARING CAP	3	
19	M801189	BOLT	8	
20	BEARING CAP	1	
21	LVU10331	SHIELD	1	AIRDAM, RH
21	LVU10270	SHIELD	1	AIRDAM, RH (EXPORT) (SUB FOR M130310)
22	LVU10334	SHIELD	1	AIRDAM, LH
22	M130311	SHIELD	1	AIRDAM, LH (EXPORT)
23	19M7783	BOLT	1	
24	19M7864	BOLT	2	
25	19M7866	BOLT	1	
26	19M7783	BOLT	1	
27	14M7298	FLANGE NUT	1	M8
..	AM122415	DIESEL ENGINE	1	(MARKED 3TNE88-JT44) (SUB AM880569)
..	AM129539	DIESEL ENGINE	1	(MARKED 3TNE88-EJT) (SUB AM880569)
..	AM129998	DIESEL ENGINE	1	(MARKED 3TNE88-EJTS) (SUB AM880569)

<https://www.ebooklibonline.com>

Hello dear friend!

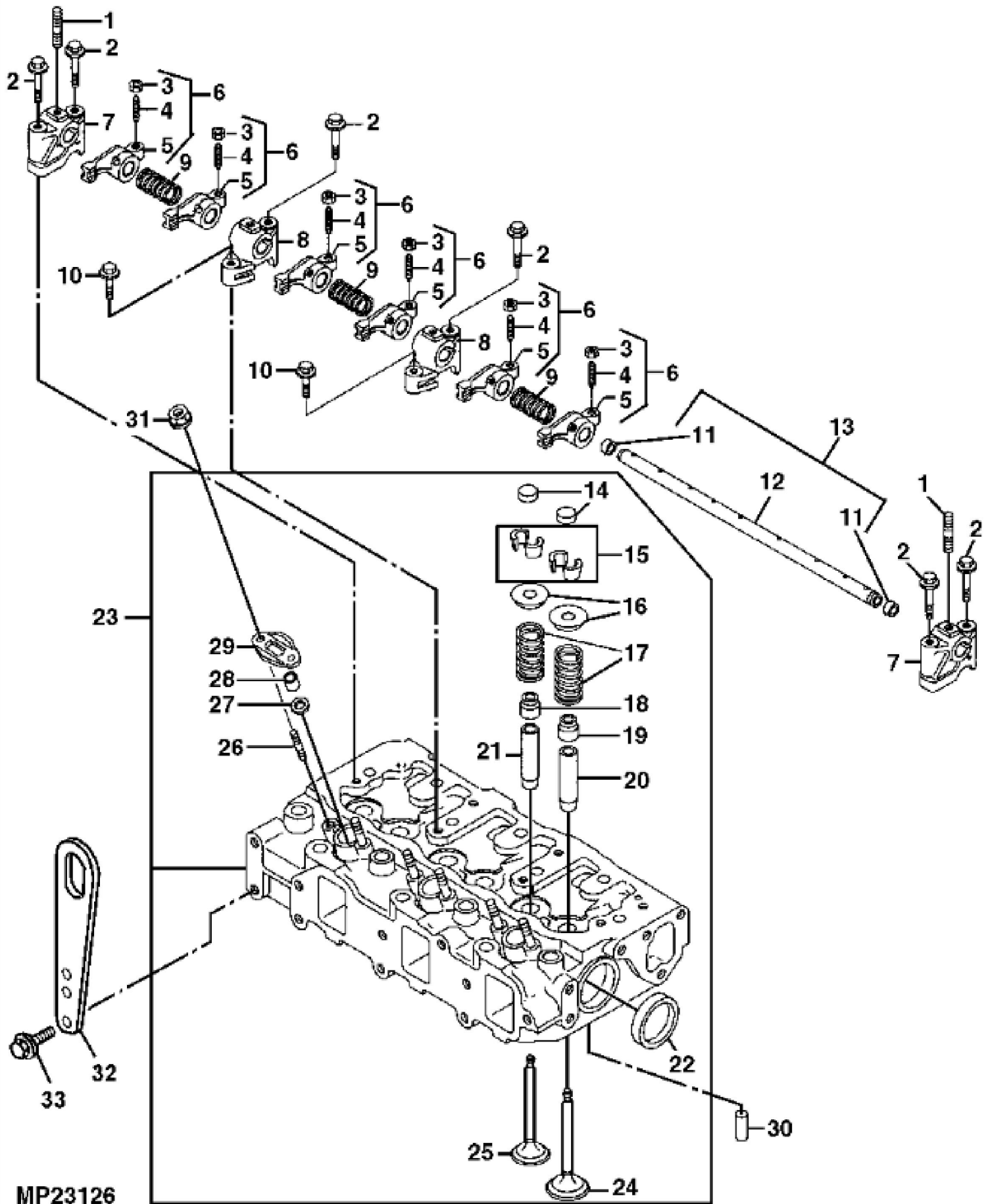
Thank you very much for reading.

Enter the link into your browser.

The full manual is available for immediate download.

<https://www.ebooklibonline.com>

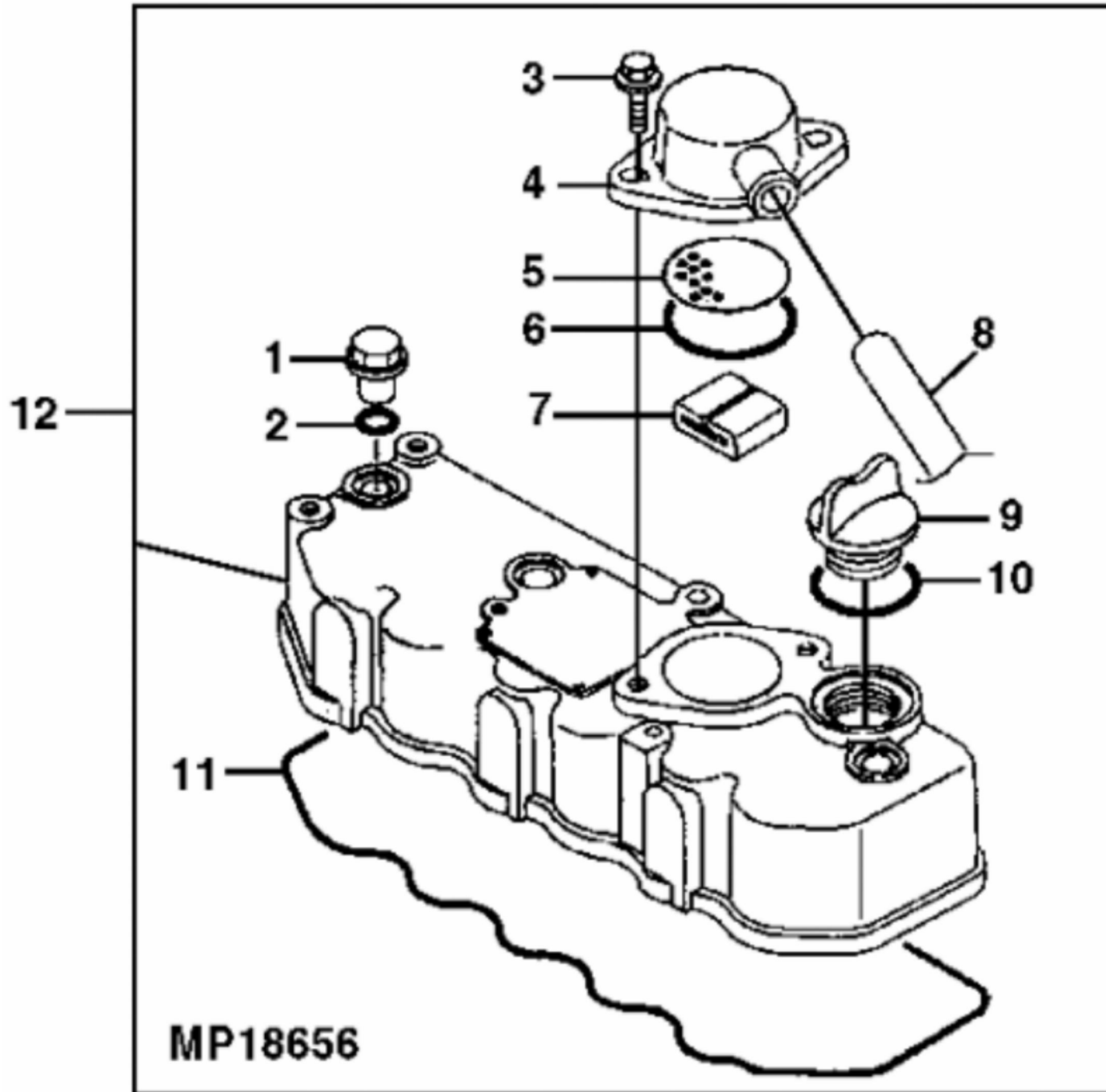
KEY	PART NO.	PART NAME	QTY	REMARKS	
..	AM880569	SHORT BLOCK ASSEMBLY	1		
..	LVU10364	SEAL	1	AIRDAM SHIELD, RH	
..	LVU10367	SEAL	1	AIRDAM SHIELD, LH	
..	LVU10366	SEAL	1	AIRDAM SHIELD, BOTTOM	



MP23126

ROCKER ARMS

KEY	PART NO.	PART NAME	QTY	REMARKS	
1	M801024	STUD	3		
2	19M7800	BOLT	6		
3	M801028	NUT	1		
4	M801027	SCREW	1		
5	ROCKER ARM	1		
6	AM875383	ROCKER ARM	6		
7	M801022	SUPPORT	2	ROCKER ARM	
8	M801023	SUPPORT	2	ROCKER ARM	
9	M801025	SPRING	3		
10	19M7867	BOLT	2		
11	M800002	PLUG	2		
12	ROCKER ARM SHAFT	1		
13	AM875534	SHAFT	1	SUPPORT	
14	M801224	CAP	6		
15	AM878862	RETAINER KIT	3	(2 PER PKG), VALVE	
16	M801223	RETAINER	6	SPRING	
17	M801222	SPRING	6	VALVE	
18	T110650	SEAL	3	EXHAUST VALVE	
19	CH10450	SEAL	3	INTAKE VALVE	
20	M801227	GUIDE	3	INTAKE VALVE	
21	M801228	GUIDE	3	EXHAUST VALVE	
22	CH16751	PLUG	2		
23	AM878547	CYLINDER HEAD	1	(ENGINE MARKED 3TNE88-JT44)	
23	AM880362	CYLINDER HEAD	1	(ENGINE MARKED 3TNE88-EJTS)	
24	M801220	INTAKE VALVE	3		
25	MIU800494	EXHAUST VALVE	3	(SUB FOR M801221)	
26	M801219	STUD	6		
27	M801017	VALVE SEAT	3		
28	M801016	SEAL	3	(SUB FOR M810460 OR M806732)	
29	M801018	RETAINER	3		
30	CH18079	SPRING PIN	2		
31	14M7303	FLANGE NUT	6	M6	
32	AT211695	LIFT ARM	2		
33	19M7865	BOLT	4		





Suggest:

For more complete manuals. Please go to the home page.

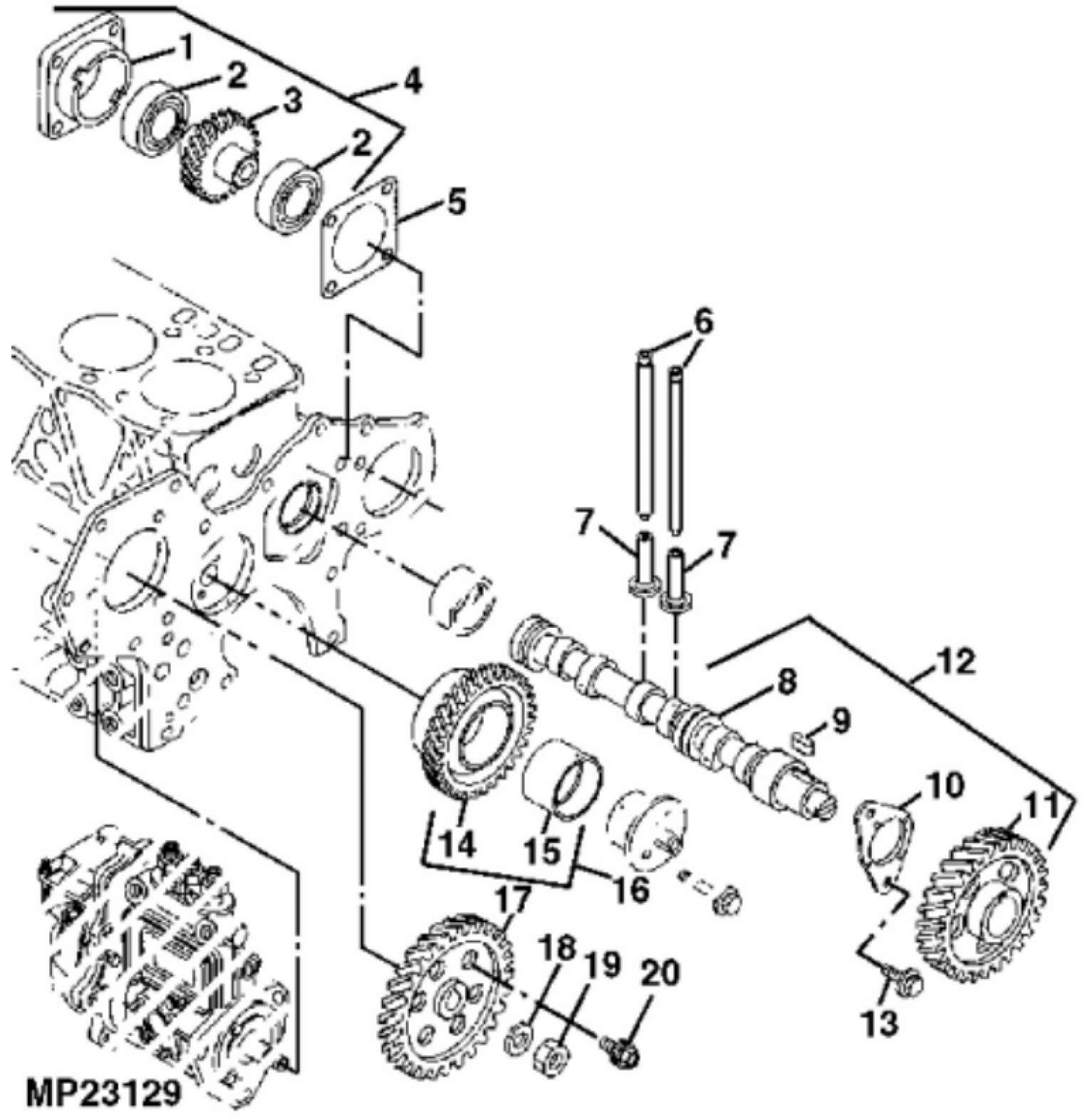
<https://www.ebooklibonline.com>

If the above button click is invalid. Please download this document first, and then click the above link to download the complete manual.

Thank you so much for reading

John Deere > Turf And Utility >TRACTOR, COMPACT UTILITY >4400 - TRACTOR, COMPACT UTILITY >4400 Compact Utility Tractors >20 ENGINE (4400) >ST632591 - CYLINDER HEAD COVER AND GASKETS

KEY	PART NO.	PART NAME	QTY	REMARKS	
1	CH10348	NUT	3		
2	CH10568	PACKING	3		
3	19M7865	BOLT	2		
4	M801031	CAP	1		
5	M801033	PLATE	1		
6	M801034	O-RING	1		
7	M801032	DEFLECTOR	1		
8	M804268	HOSE	1	BREATHER	
9	M805710	CAP	1		
10	M805711	PACKING	1		
11	M801741	GASKET	1		
12	AT110858	VALVE COVER	1		



<https://www.ebooklibonline.com>

Hello dear friend!

Thank you very much for reading.

Enter the link into your browser.

The full manual is available for immediate download.

<https://www.ebooklibonline.com>