

| KEY | PART NO. | PART NAME   | QTY | REMARKS  |  |
|-----|----------|-------------|-----|----------|--|
| 1   | CH10348  | NUT         | 3   |          |  |
| 2   | CH10568  | PACKING     | 3   |          |  |
| 3   | 19M7865  | BOLT        | 2   |          |  |
| 4   | M801031  | CAP         | 1   |          |  |
| 5   | M801033  | PLATE       | 1   |          |  |
| 6   | M801034  | O-RING      | 1   |          |  |
| 7   | M801032  | DEFLECTOR   | 1   |          |  |
| 8   | M804268  | HOSE        | 1   | BREATHER |  |
| 9   | M805710  | CAP         | 1   |          |  |
| 10  | M805711  | PACKING     | 1   |          |  |
| 11  | M801741  | GASKET      | 1   |          |  |
| 12  | AT110858 | VALVE COVER | 1   |          |  |

**<https://www.ebooklibonline.com>**

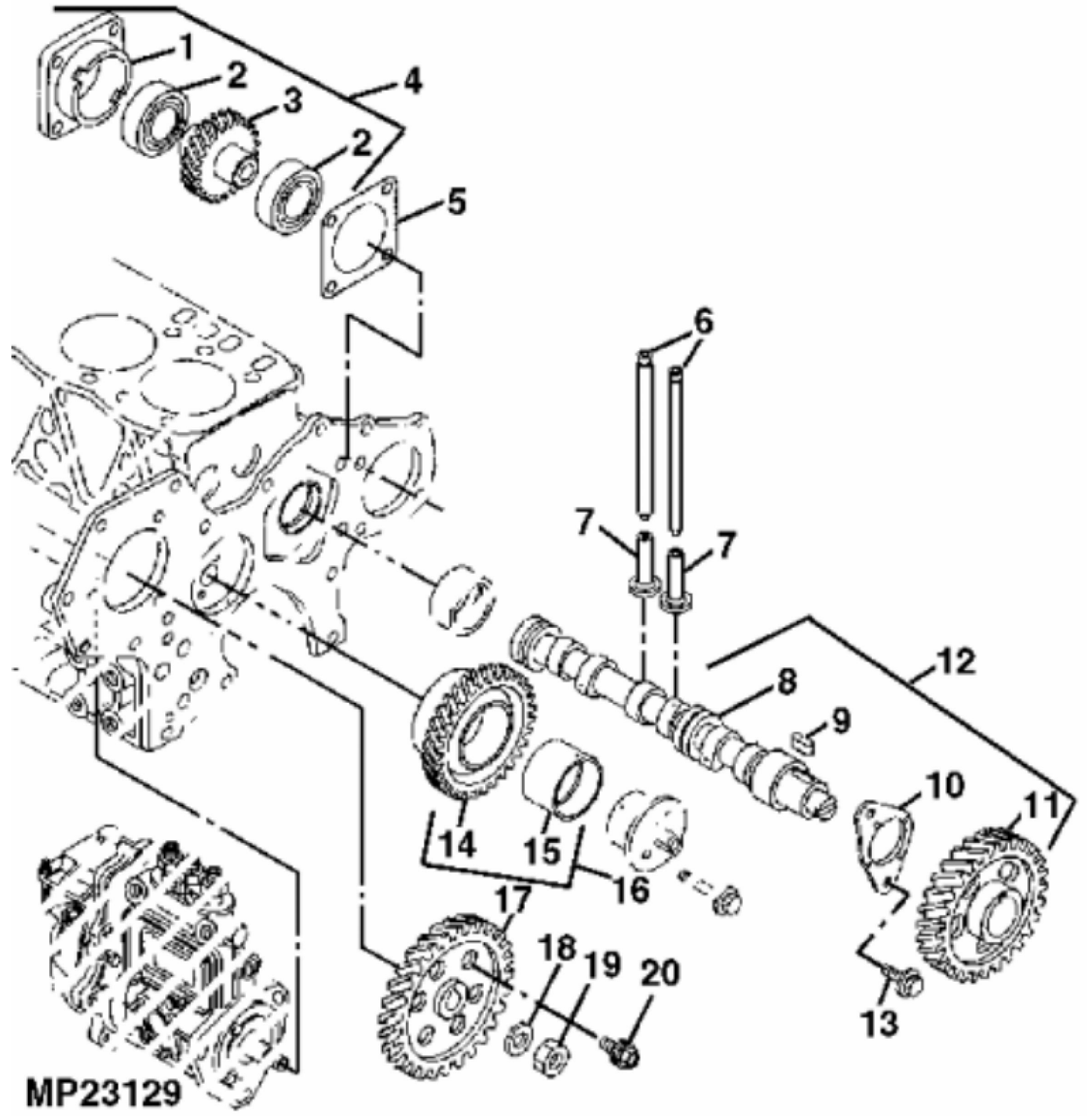
Hello dear friend!

Thank you very much for reading.

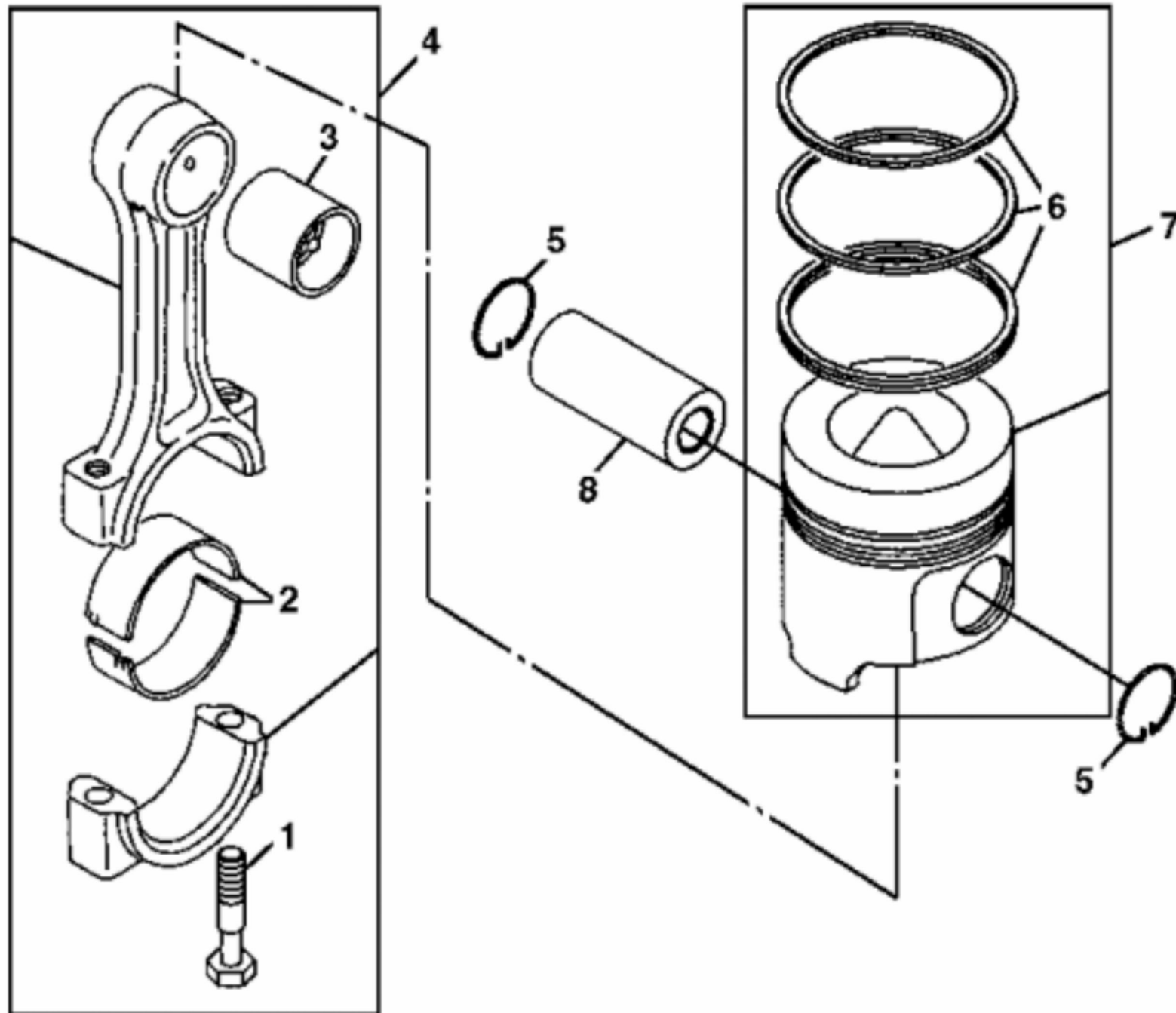
Enter the link into your browser.

The full manual is available for immediate download.

**<https://www.ebooklibonline.com>**



| KEY | PART NO. | PART NAME      | QTY | REMARKS                     |
|-----|----------|----------------|-----|-----------------------------|
| 1   | M802618  | BRACKET        | 1   |                             |
| 2   | CH13505  | BALL BEARING   | 2   |                             |
| 3   | .....    | GEAR           | 1   |                             |
| 4   | AM876339 | GEAR           | 1   | H.O. PUMP                   |
| 5   | M805840  | GASKET         | 1   |                             |
| 6   | M801238  | PUSH ROD       | 6   |                             |
| 7   | M801046  | CAM FOLLOWER   | 6   |                             |
| 8   | .....    | CAMSHAFT       | 1   |                             |
| 9   | M801045  | SHAFT KEY      | 1   |                             |
| 10  | .....    | THRUST BEARING | 1   |                             |
| 11  | M801044  | GEAR           | 1   |                             |
| 12  | AM876430 | CAMSHAFT       | 1   |                             |
| 13  | CH19780  | BOLT           | 2   |                             |
| 14  | .....    | GEAR           | 1   | IDLE                        |
| 15  | M801050  | BUSHING        | 1   |                             |
| 16  | AM875315 | GEAR           | 1   |                             |
| 17  | M801239  | GEAR           | 1   | FUEL INJECTION PUMP         |
| 18  | 12M7067  | LOCK WASHER    | 1   | 12 mm                       |
| 19  | 14M7275  | NUT            | 1   | M12                         |
| 20  | .....    | BOLT           | 4   | (ENGINE MARKED 3TNE84-EJTS) |



MP18666



**Suggest:**

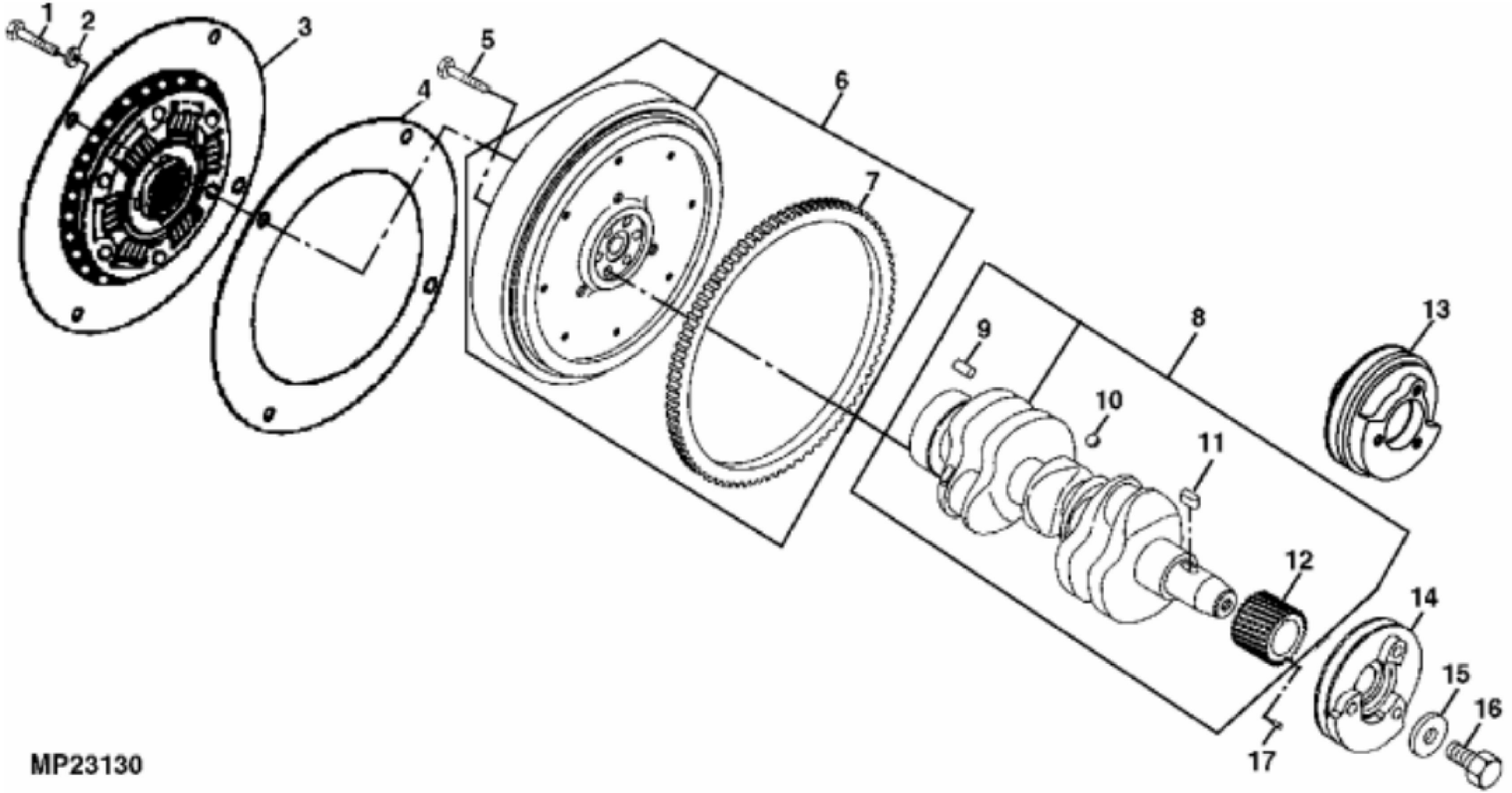
**For more complete manuals. Please go to the home page.**

**<https://www.ebooklibonline.com>**

**If the above button click is invalid. Please download this document first, and then click the above link to download the complete manual.**

**Thank you so much for reading**

| KEY | PART NO.  | PART NAME       | QTY | REMARKS  |  |
|-----|-----------|-----------------|-----|--|--|
| 1   | CH15483   | BOLT            | 2   |  |  |
| 2   | MIA880563 | BEARING         | 1   | STD, (SUB FOR AM875392)                        |  |
| 2   | MIA880568 | BEARING         | 1   | .25 MM (.010") US, (SUB FOR AM875395)          |  |
| 3   | M801256   | BEARING         | 1   |  |  |
| 4   | AM875391  | CONNECTING ROD  | 3   |  |  |
| 5   | M806457   | CLIP            | 6   |  |  |
| 6   | AM878555  | PISTON RING KIT | 1   | STD  |  |
| 6   | AM878599  | PISTON RING KIT | 1   | .25 MM (.010") OS                              |  |
| 7   | AM878606  | PISTON          | 3   | STD (ENGINE MARKED 3TNE84-JT43)                |  |
| 7   | AM878598  | PISTON          | 3   | .25 MM (.010") OS, (ENGINE MARKED 3TNE84-JT43) |  |
| 7   | AM880366  | PISTON          | 3   | STD (ENGINE MARKED 3TNE84-EJTS)                |  |
| 7   | AM880566  | PISTON          | 3   | .25 MM (.010") OS, (ENGINE MARKED 3TNE84-EJTS) |  |
| 8   | M806456   | PISTON PIN      | 3   |  |  |



MP23130

**<https://www.ebooklibonline.com>**

Hello dear friend!

Thank you very much for reading.

Enter the link into your browser.

The full manual is available for immediate download.

**<https://www.ebooklibonline.com>**