

MP17850

KEY	PART NO.	PART NAME	QTY	REMARKS
1	M87866	BOLT	14	
2	M807320	ENGINE CYLINDER HEAD GASKET	1	
3	AM879213	CYLINDER BLOCK	1	
4	30M7023	PLUG	6	
5	M802255	PIN	2	
6	M802254	PIN	2	
7	M802643	PLUG	1	
8	M112792	DRAIN PLUG	1	
9	M809593	PLUG	1	
10	CH18079	SPRING PIN	2	
11	M87862	BUSHING	1	CAMSHAFT
12	19M7774	SCREW	3	M6 X 12
13	M89140	SHAFT	1	IDLE GEAR
14	M87801	PLUG	1	
15	M800006	DOWEL PIN	2	
16	EPC200680	PLUG	1	
17	AM100719	BEARING KIT	2	THRUST
18	AM100718	BEARING KIT	4	MAIN, STD
18	AM100732	BEARING KIT	4	.25 MM (.010") US, MAIN
19	.....	BEARING CAP	3	
20	M87879	BOLT	8	
21	.....	BEARING CAP	1	
..	.....	ENGINE	1	(ORDER AM879207)
..	MIA882674	SHORT BLOCK ASSEMBLY	1	SUB FOR AM879207

**<https://www.ebooklibonline.com>**

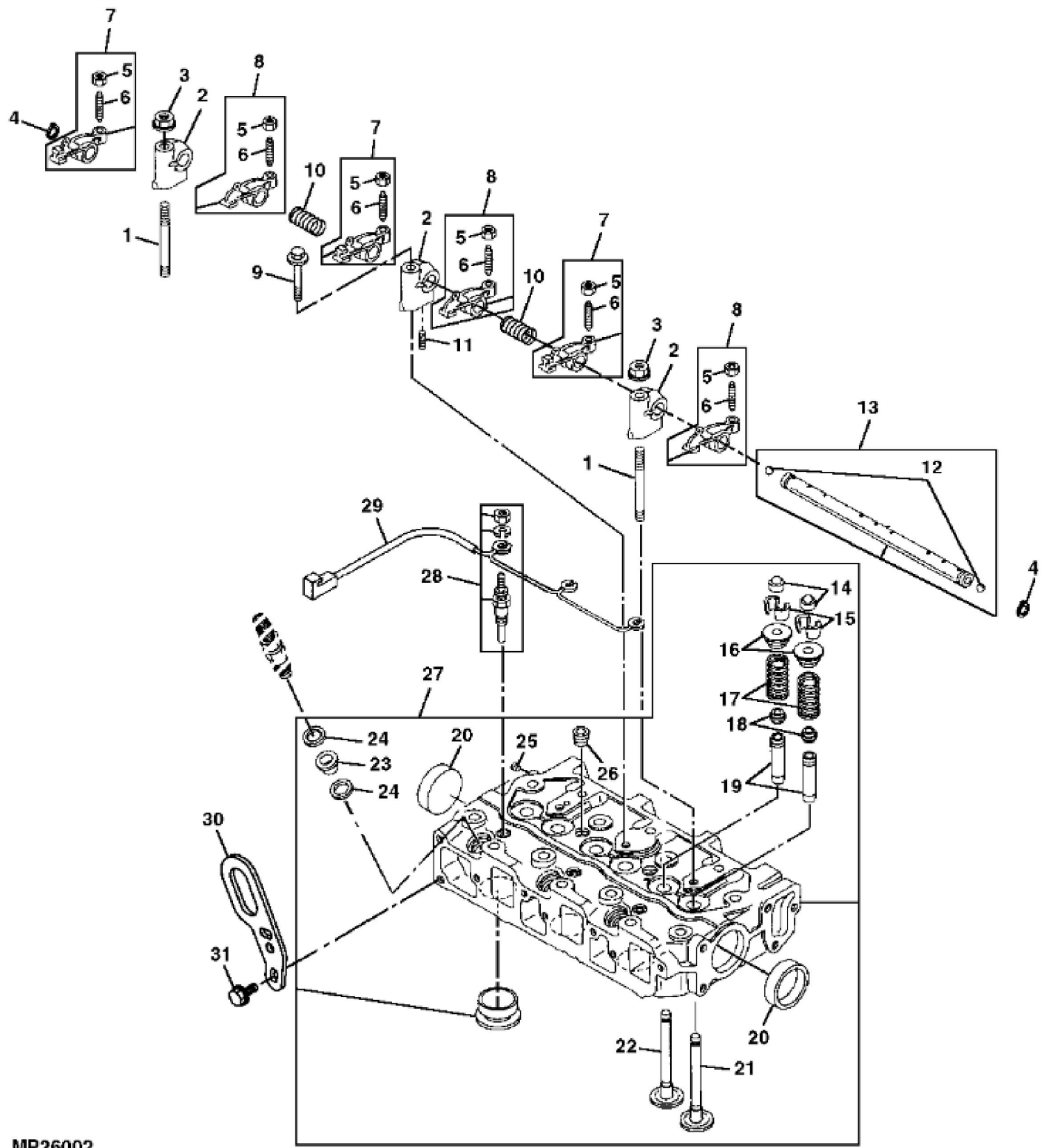
Hello dear friend!

Thank you very much for reading.

Enter the link into your browser.

The full manual is available for immediate download.

**<https://www.ebooklibonline.com>**



MP26002

## ARMS

KEY	PART NO.	PART NAME	QTY	REMARKS
1	M87836	STUD	2	
2	M87891	SUPPORT	3	ROCKER ARM
3	14M7298	FLANGE NUT	2	M8
4	M87818	SNAP RING	2	
5	14M7194	NUT	1	M6
6	M87841	SCREW	1	
7	AM100736	ARM	3	EXHAUST
8	AM100735	ARM	3	INTAKE
9	CH19101	BOLT	1	
10	M87892	SPRING	2	
11	M87893	SCREW	1	
12	400R	BALL	2	
13	AM100749	ROCKER ARM SHAFT	1	
14	CH12585	CAP	6	
15	AM100828	RETAINER	3	(INCLUDES (2) SIDES)
16	M87835	HOLDER	6	
17	M87834	SPRING	6	VALVE
18	CH10346	SEAL	6	VALVE STEM
19	M87863	GUIDE	6	VALVE
20	CH16751	PLUG	2	
21	M807328	VALVE	3	INTAKE
22	M87833	VALVE	3	EXHAUST
23	M89134	PACKING	3	
24	M89135	GASKET	6	NOZZLE
25	M87831	PLUG	1	
26	15H559	PIPE PLUG	2	1/4", (SUB FOR EPC200683)
27	AM879210	CYLINDER HEAD	1	
28	AT110814	GLOW PLUG	3	
29	M802705	ELECTRICAL CONNECTOR ASSY	1	GLOW PLUG
30	M800066	BRACKET	1	LIFT, (SUB MIU800461)
31	CH19780	BOLT	2	





**Suggest:**

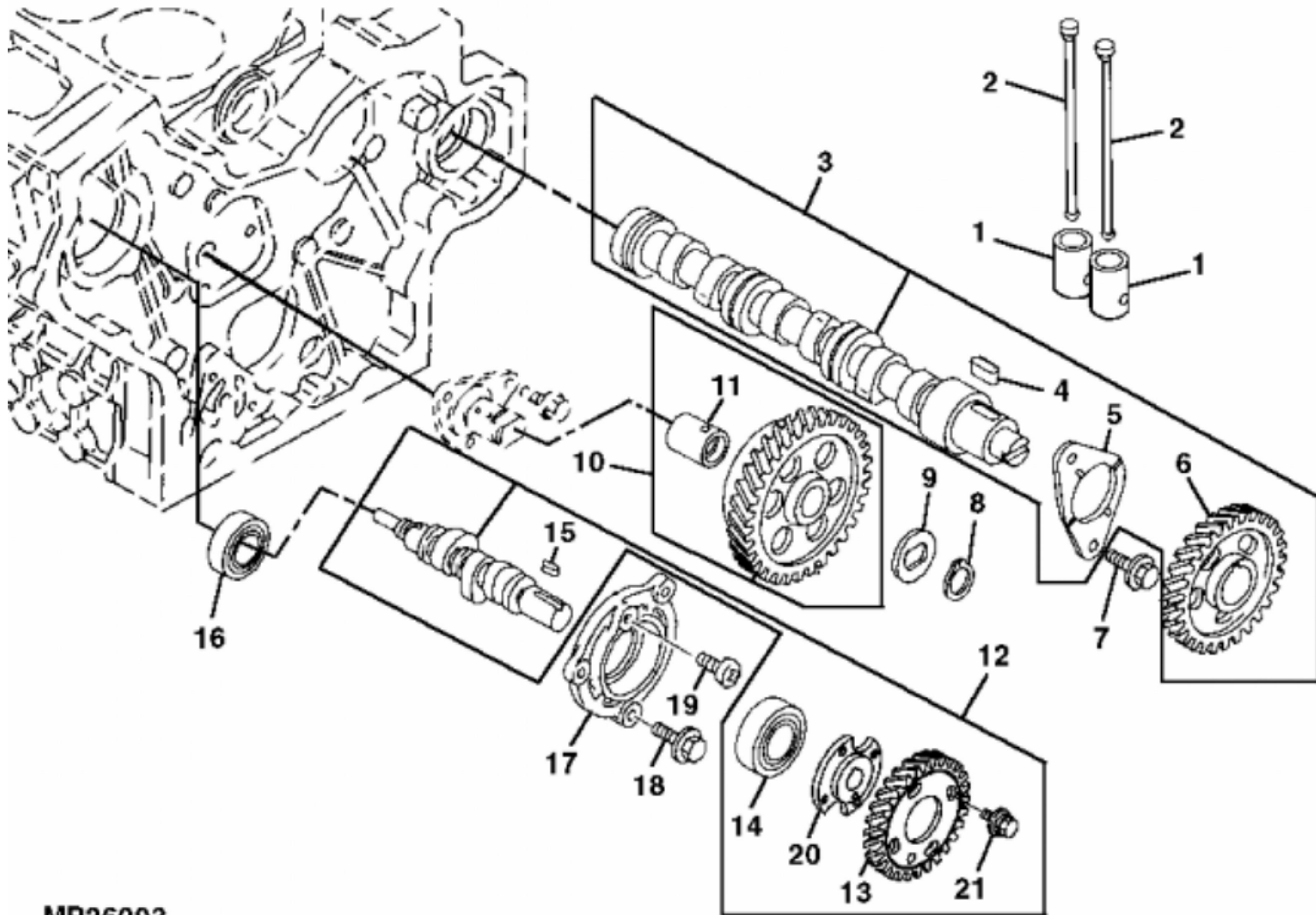
**For more complete manuals. Please go to the home page.**

**<https://www.ebooklibonline.com>**

**If the above button click is invalid. Please download this document first, and then click the above link to download the complete manual.**

**Thank you so much for reading**

KEY	PART NO.	PART NAME	QTY	REMARKS	
1	.....	PIPE	1	CRANKCASE BREATHER, (MAKE FROM CH15409)	
2	19M7864	SCREW	1	M8 X 12	
3	CH10331	CLAMP	1		
4	CH10348	NUT	2		
5	CH10568	PACKING	2		
6	M807038	CONNECTOR	1		
7	M807329	PLUG	1		
8	M87854	ENGINE CYLINDER HEAD GASKET	1		
9	M805697	GASKET	1		
10	M87837	DEFLECTOR	1		
11	M807374	SCREW	4		
12	AM879190	COVER	1		
13	CH10061	RIVET	4		



MP26003

**<https://www.ebooklibonline.com>**

Hello dear friend!

Thank you very much for reading.

Enter the link into your browser.

The full manual is available for immediate download.

**<https://www.ebooklibonline.com>**