

KEY	PART NO.	PART NAME	QTY	REMARKS
1	M801186	BOLT	14	
2	M806440	ENGINE CYLINDER HEAD GASKET	1	
3	MIA880914	CYLINDER BLOCK	1	
4	30M7023	PLUG	6	
5	15H562	PIPE PLUG	1	1"
6	MIU800573	BUSHING	1	CAMSHAFT
7	MIU800797	SHAFT	1	IDLE GEAR
8	19M8317	BOLT	3	
9	M87801	PLUG	2	
10	M800974	PIPE	2	KNOCK
11	AM875371	BEARING KIT	4	MAIN (STD)
11	MIA880550	BEARING	4	(.25 MM (.010")), US, MAIN
12	BEARING CAP	3	MAIN BEARING
13	M801189	BOLT	8	
14	BEARING CAP	1	MAIN BEARING
15	MIA880555	BEARING	2	THRUST
16	CH10335	PLUG	3	
17	CH10314	PLUG	1	
18	M802255	PIN	4	
19	DRAIN PLUG	1	
20	CH18079	SPRING PIN	2	
21	CH15575	PIN	3	
22	T110725	NOZZLE	3	COOLING
23	T110724	CHECK VALVE	3	
24	MIA880918	SHORT BLOCK ASSEMBLY	1	NLA; ORDER MIA882688; Not Illustrated
24	MIA882688	SHORT BLOCK ASSEMBLY	1	SUB FOR MIA880918; Not Illustrated
25	MIA10883	DIESEL ENGINE	1	NLA; ORDER MIA12471; Not Illustrated
25	MIA12471	DIESEL ENGINE	1	ORDER MIA882688; Not Illustrated
25	MIA882688	SHORT BLOCK ASSEMBLY	1	Not Illustrated

<https://www.ebooklibonline.com>

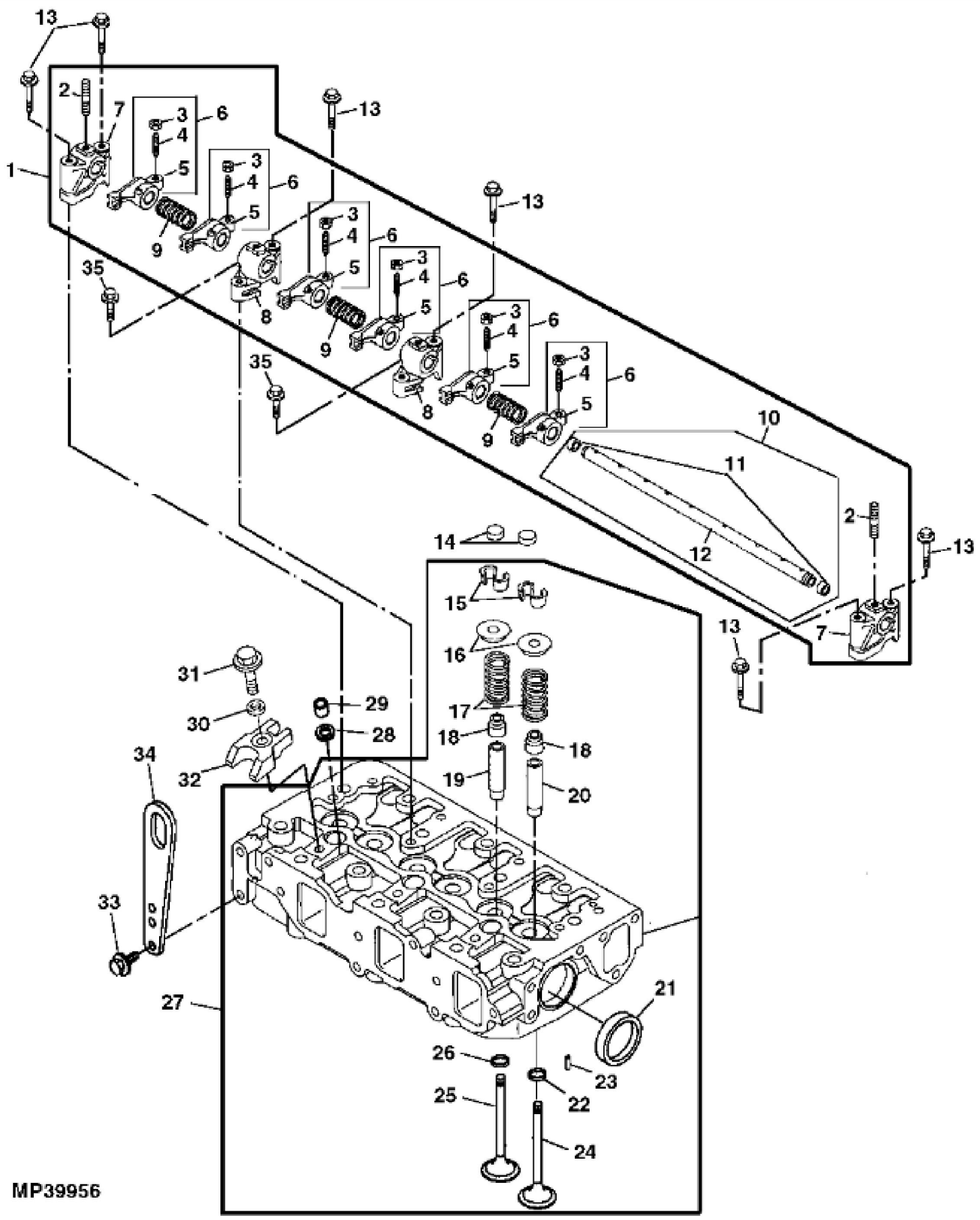
Hello dear friend!

Thank you very much for reading.

Enter the link into your browser.

The full manual is available for immediate download.

<https://www.ebooklibonline.com>

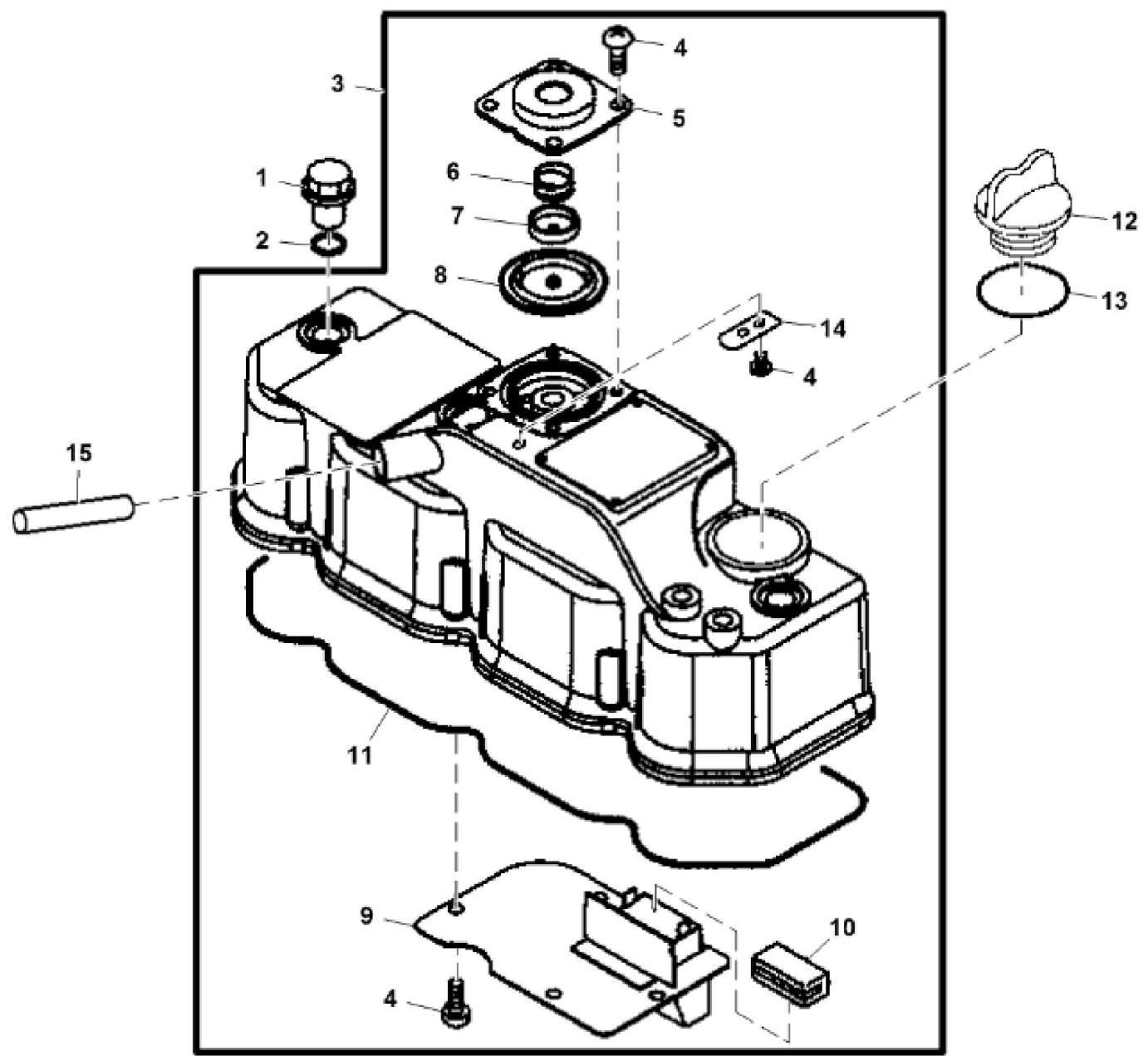


MP39956

ARMS

KEY	PART NO.	PART NAME	QTY	REMARKS
1	AM882086	KIT	1	ROCKER SHAFT
2	STUD	3	
3	M801028	NUT	1	
4	M801027	SCREW	1	
5	ROCKER ARM	1	
6	AM881820	ARM	6	
7	M811050	SUPPORT	2	ROCKER ARM
8	M811051	SUPPORT	2	ROCKER ARM
9	M801025	SPRING	3	
10	M811426	ROCKER ARM SHAFT	1	
11	PLUG	2	
12	SHAFT	1	
13	CH19086	BOLT	6	
14	M801224	CAP	6	
15	AM878862	RETAINER KIT	6	(2 PER PKG) , VALVE RETAINER
16	M801223	RETAINER	6	SPRING
17	M801222	SPRING	6	VALVE
18	CH10450	SEAL	3	INTAKE
18	T110650	SEAL	3	EXHAUST
19	M801228	GUIDE	3	EXHAUST
20	M801227	GUIDE	3	INTAKE
21	CH16751	PLUG	2	
22	M811498	VALVE SEAT	3	INTAKE
23	M801217	PLUG	3	
24	MIU800446	INTAKE VALVE	3	
25	T110649	EXHAUST VALVE	3	
26	T110653	VALVE SEAT	3	EXHAUST
27	MIA880912	CYLINDER HEAD	1	
28	M801017	VALVE SEAT	3	
29	M811052	GUARD	3	NOZZLE
30	M811080	WASHER	3	
31	M87884	BOLT	3	
32	M811088	RETAINER	3	
33	19M7865	SCREW	4	M8 X 16

KEY	PART NO.	PART NAME	QTY	REMARKS	
34	AT211695	LIFT ARM	2		
35	CH19085	BOLT	2		





Suggest:

For more complete manuals. Please go to the home page.

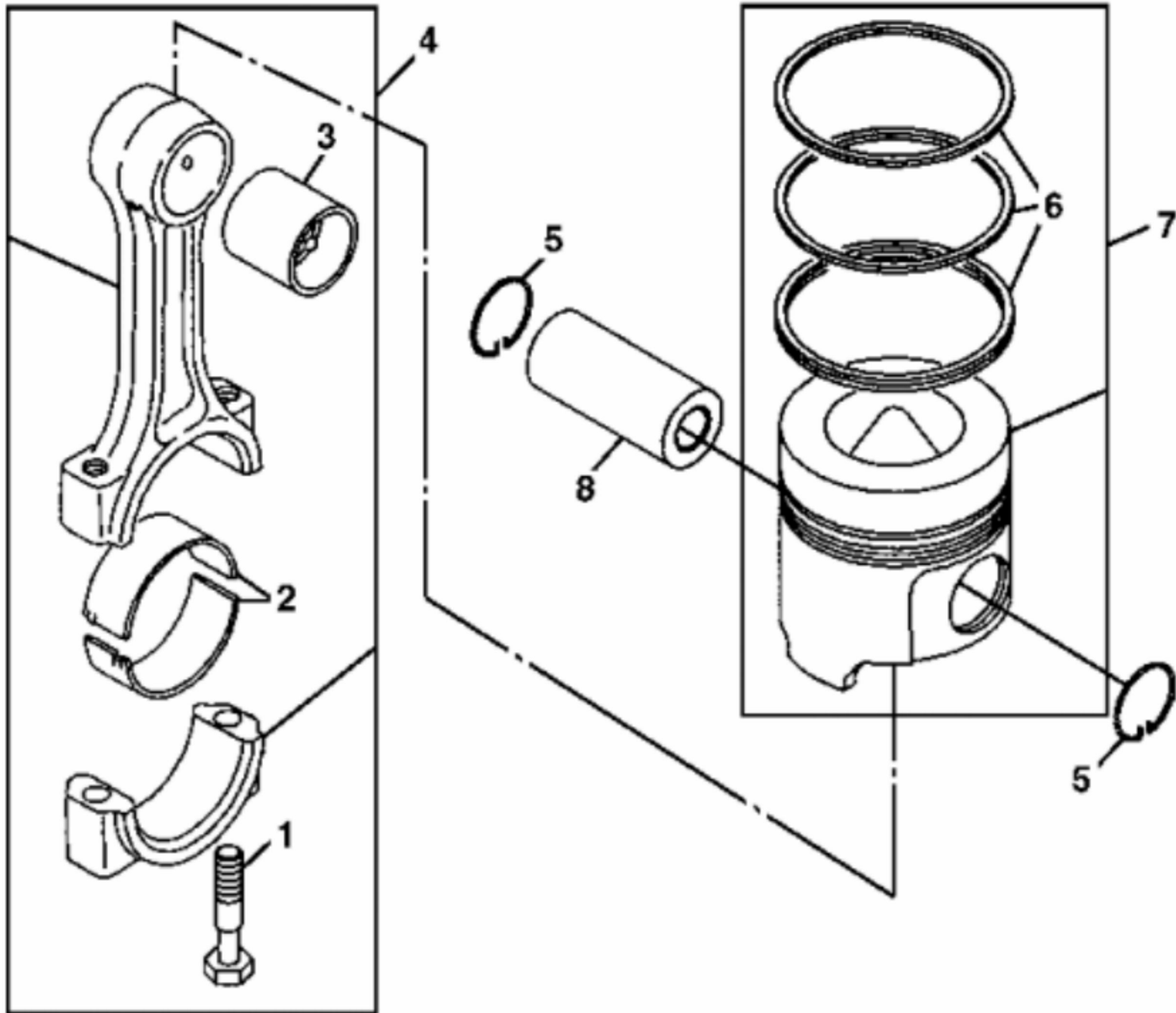
<https://www.ebooklibonline.com>

If the above button click is invalid. Please download this document first, and then click the above link to download the complete manual.

Thank you so much for reading

John Deere > Turf And Utility >TRACTOR, COMPACT UTILITY >4105 - TRACTOR, COMPACT UTILITY >4105 Compact Utility Tractor >20 ENGINE >ST151165 - CYLINDER HEAD COVER AND GASKETS (- 610000)

KEY	PART NO.	PART NAME	QTY	REMARKS
1	CH10348	NUT	3	
2	CH10568	PACKING	3	
3	MIA880911	VALVE COVER	1	
4	M807374	SCREW	9	
5	M811649	COVER	1	BREATHER
6	M811650	SPRING	1	
7	M811046	PLATE	1	
8	M811048	DIAPHRAGM	1	
9	M811085	PLATE	1	
10	M801032	DEFLECTOR	1	
11	M811429	GASKET	1	
12	M805710	CAP	1	
13	M805711	PACKING	1	
14	MIU800897	SPRING	1	(Spring, Plate)
15	M801037	HOSE	1	USE WITH MIA13023



MP18666

<https://www.ebooklibonline.com>

Hello dear friend!

Thank you very much for reading.

Enter the link into your browser.

The full manual is available for immediate download.

<https://www.ebooklibonline.com>