

PULV104508A

KEY	PART NO.	PART NAME	QTY	REMARKS	
1	M809565	DRAIN PLUG	1		
2	15H562	PIPE PLUG	1	1"	
3	M801189	BOLT	10		
4	MIU800573	CAMSHAFT	1		
5	30M7023	PLUG	8		
6	CH10314	PLUG	1		
7	CH10335	PLUG	2		
8	MIA880555	BEARING	2	(Over Sized (O.S=0.25) Part) SUB FOR AM875373	
9	M87801	PLUG	2		
10	M801186	BOLT	18		
11	MIU800384	GASKET	1		
12	M811307	PLUG	1		
13	MIA880554	BEARING	5	(Spare Part)	
13	MIA880550	BEARING	5	(Under Sized (U.S=0.25) Part)	
13	AM875371	BEARING KIT	5		
14	MIA13177	DIESEL ENGINE	1	Not Illustrated; MARKED 4TNV84T-BMJTE; SUB FOR MIA12243	

**<https://www.ebooklibonline.com>**

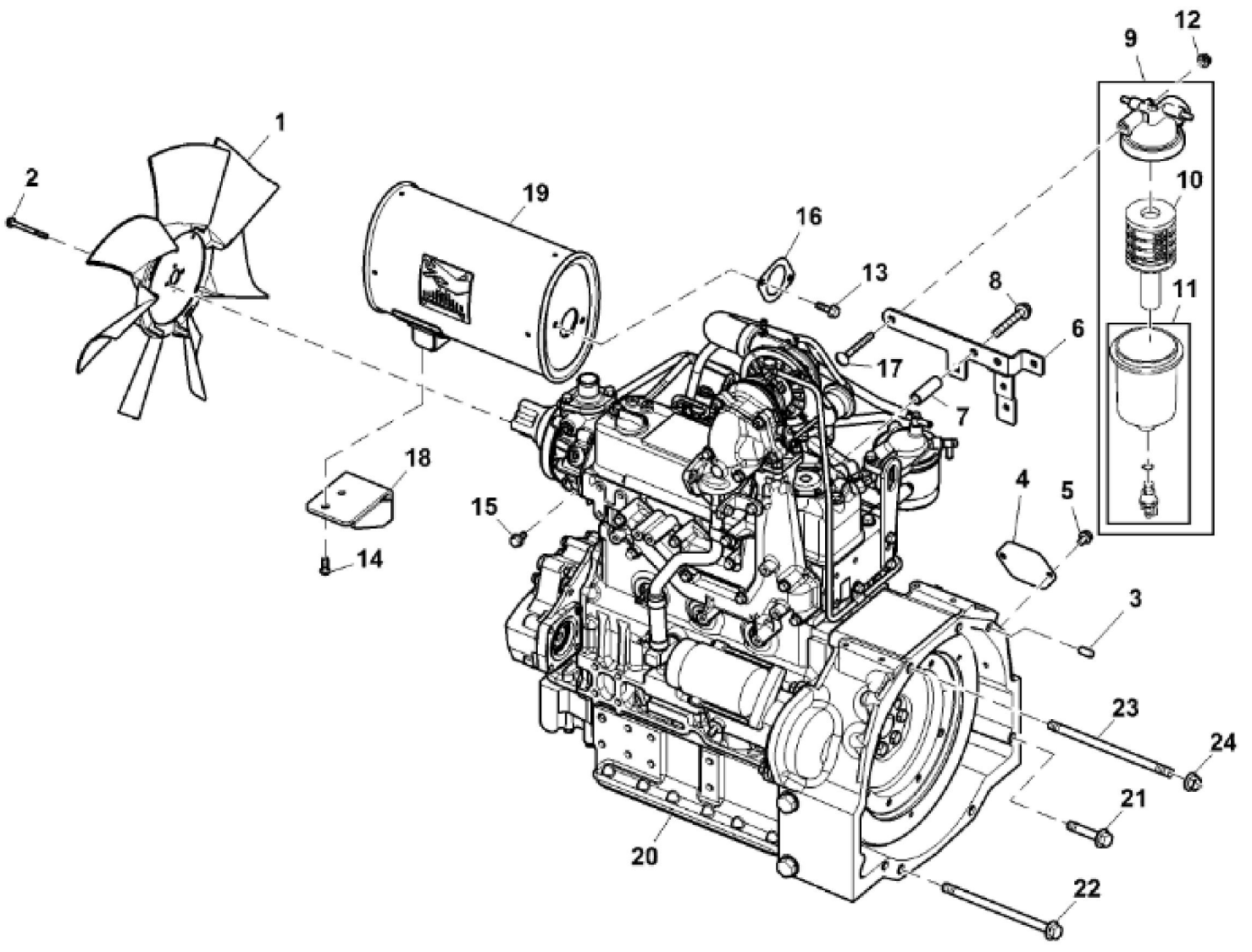
Hello dear friend!

Thank you very much for reading.

Enter the link into your browser.

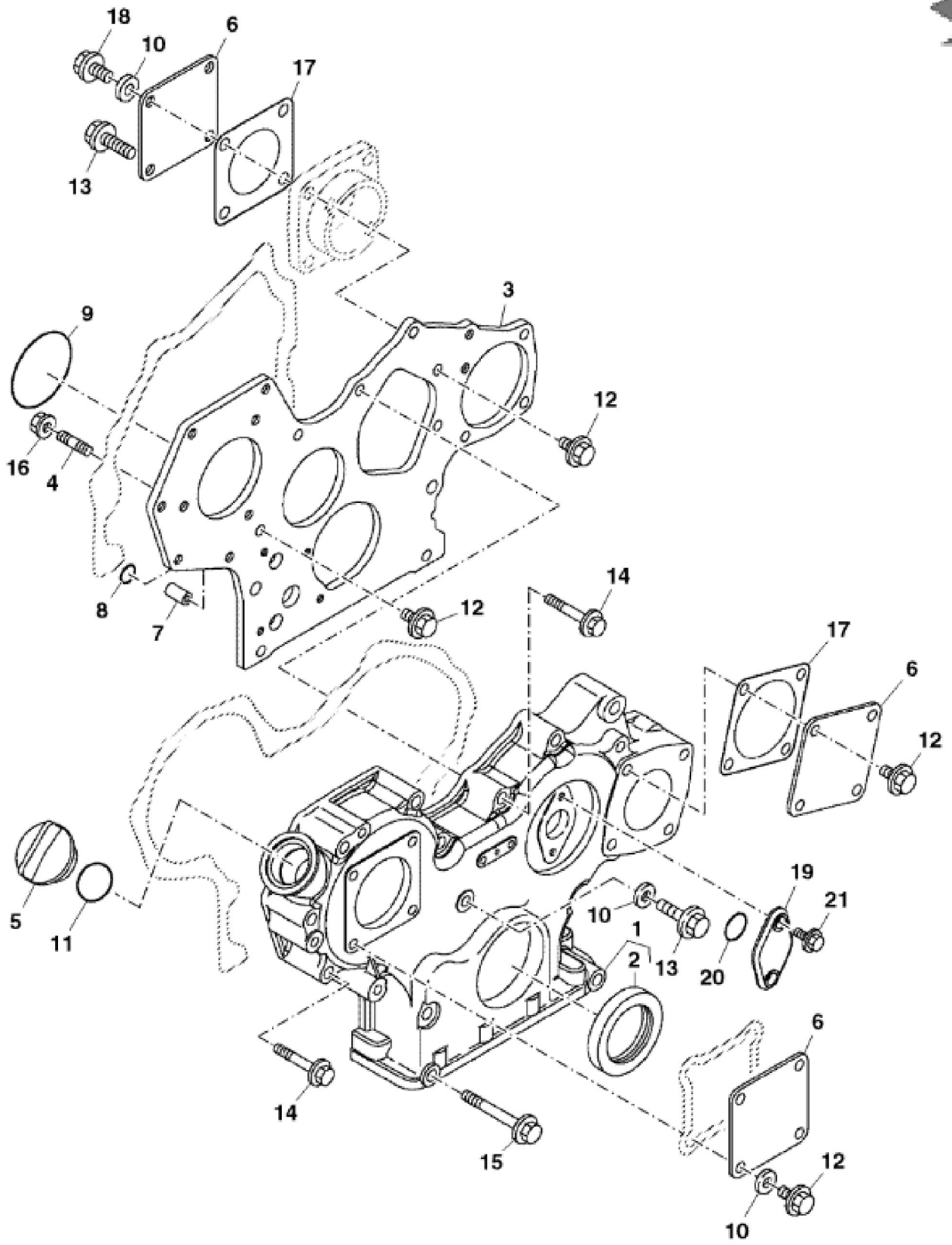
The full manual is available for immediate download.

**<https://www.ebooklibonline.com>**



LV274867

KEY	PART NO.	PART NAME	QTY	REMARKS	
1	LVU23150	FAN	1		
2	M89120	BOLT	4		
3	44M7131	DOWEL PIN	2		
4	M132855	PLATE	1		
5	19M7864	SCREW	2	M8 X 12	
6	LVU29587	PLATE	1		
7	28H1532	SPACER	2	0.493" X 0.675" X 2"	
8	19M7808	SCREW	2	M10 X 65	
9	AM881823	SEPARATOR	1		
10	M811032	FILTER ELEMENT	1		
11	MIA880786	DUST BOWL	1		
12	14M7298	FLANGE NUT	1	M8	
13	19M7867	SCREW	2	M8 X 25	
14	21M7572	SOCKET HEAD SCREW	2	M8 X 20	
15	19M7865	SCREW	2	M8 X 16	
16	M805007	GASKET	2		
17	03M7305	BOLT	1	M8 X 70	
18	MIU803323	CLIP	1		
19	MIU803777	MUFFLER	1		
20	MIA13177	DIESEL ENGINE	1	SUB FOR MIA12243	
21	19M7815	SCREW	5	M12 X 60	
22	LVU25337	SCREW	2		
23	LVU26821	ROD	2		
24	14M7299	FLANGE NUT	2	M12	



PULV104509



**Suggest:**

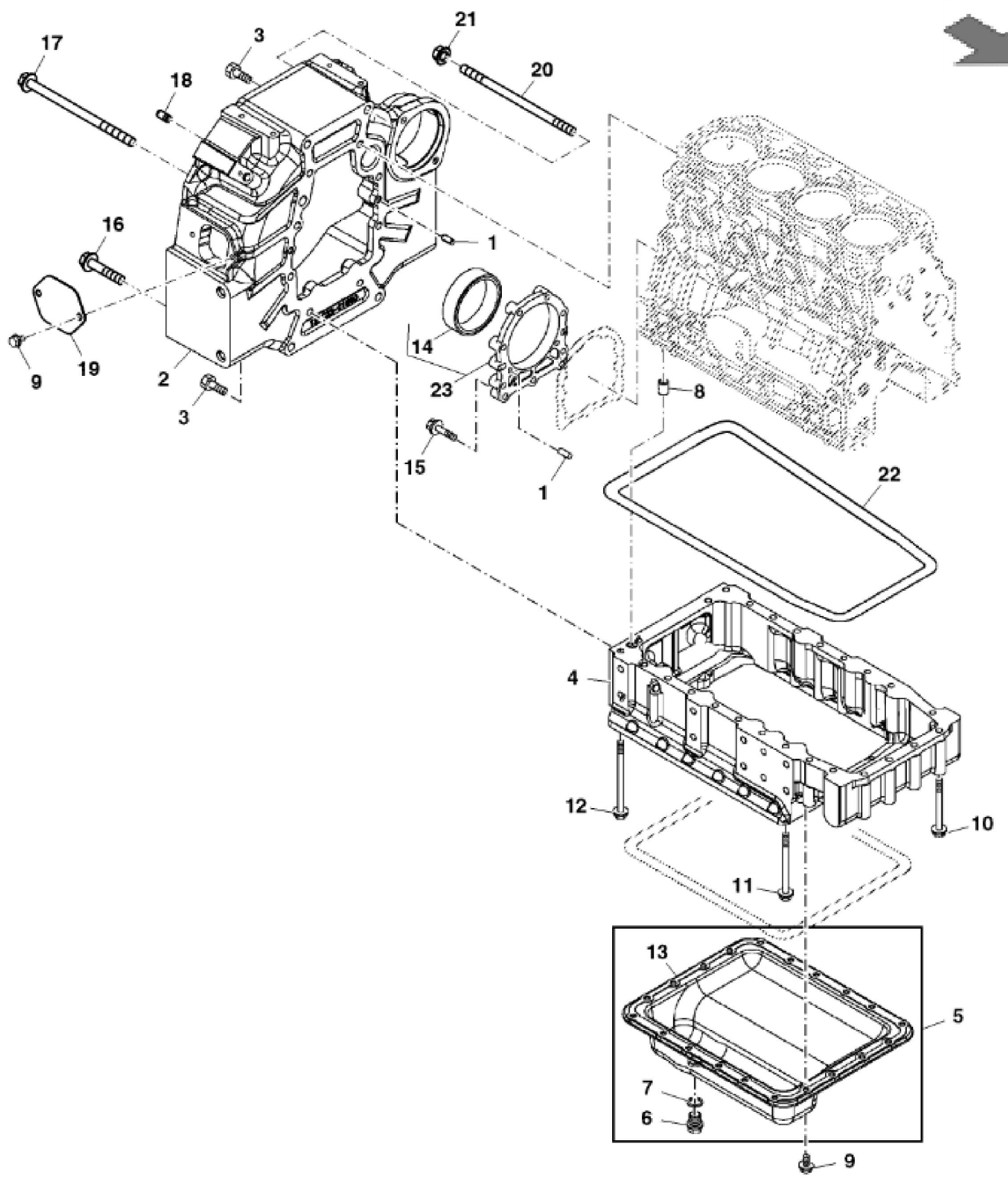
**For more complete manuals. Please go to the home page.**

**<https://www.ebooklibonline.com>**

**If the above button click is invalid. Please download this document first, and then click the above link to download the complete manual.**

**Thank you so much for reading**

KEY	PART NO.	PART NAME	QTY	REMARKS
1	MIA883012	HOUSING	1	
2	M811078	SEAL	1	
3	MIU800802	GEAR CASE	1	
4	MIU800440	STUD	3	
5	M805710	CAP	1	
6	CH18096	COVER	3	
7	M800974	PIPE	2	
8	M810185	O-RING	2	
9	CH16940	O-RING	1	
10	M803523	WASHER	6	
11	M805711	PACKING	1	
12	19M7865	SCREW	11	M8 X 16, SUB FOR CH18390
13	19M7868	SCREW	4	M8 X 30
14	CH19090	BOLT	10	
15	CH19136	BOLT	3	
16	14M7298	FLANGE NUT	3	M8, SUB FOR M810186
17	MIU802578	GASKET	2	
18	19M7866	SCREW	1	M8 X 20, SUB FOR CH19139
19	MIU800476	COVER	1	
20	CH13526	PACKING	1	
21	19M7775	SCREW	2	M6 X 16, SUB FOR M87868



LV291021

**<https://www.ebooklibonline.com>**

Hello dear friend!

Thank you very much for reading.

Enter the link into your browser.

The full manual is available for immediate download.

**<https://www.ebooklibonline.com>**