

MP27043

KEY	PART NO.	PART NAME	QTY	REMARKS	
1	CH15409	PIPE	1	(CUT TO 500 MM) (SUB FOR M89133)	
2	CH10348	NUT	2		
3	CH10568	PACKING	2		
4	AM880974	VALVE COVER	1		
5	M809218	GASKET	1	(SUB FOR M800027)	
6	M805818	GASKET	1		
7	M800014	DEFLECTOR	1		
8	M807374	SCREW	4		
9	M807038	TUBE	1		

<https://www.ebooklibonline.com>

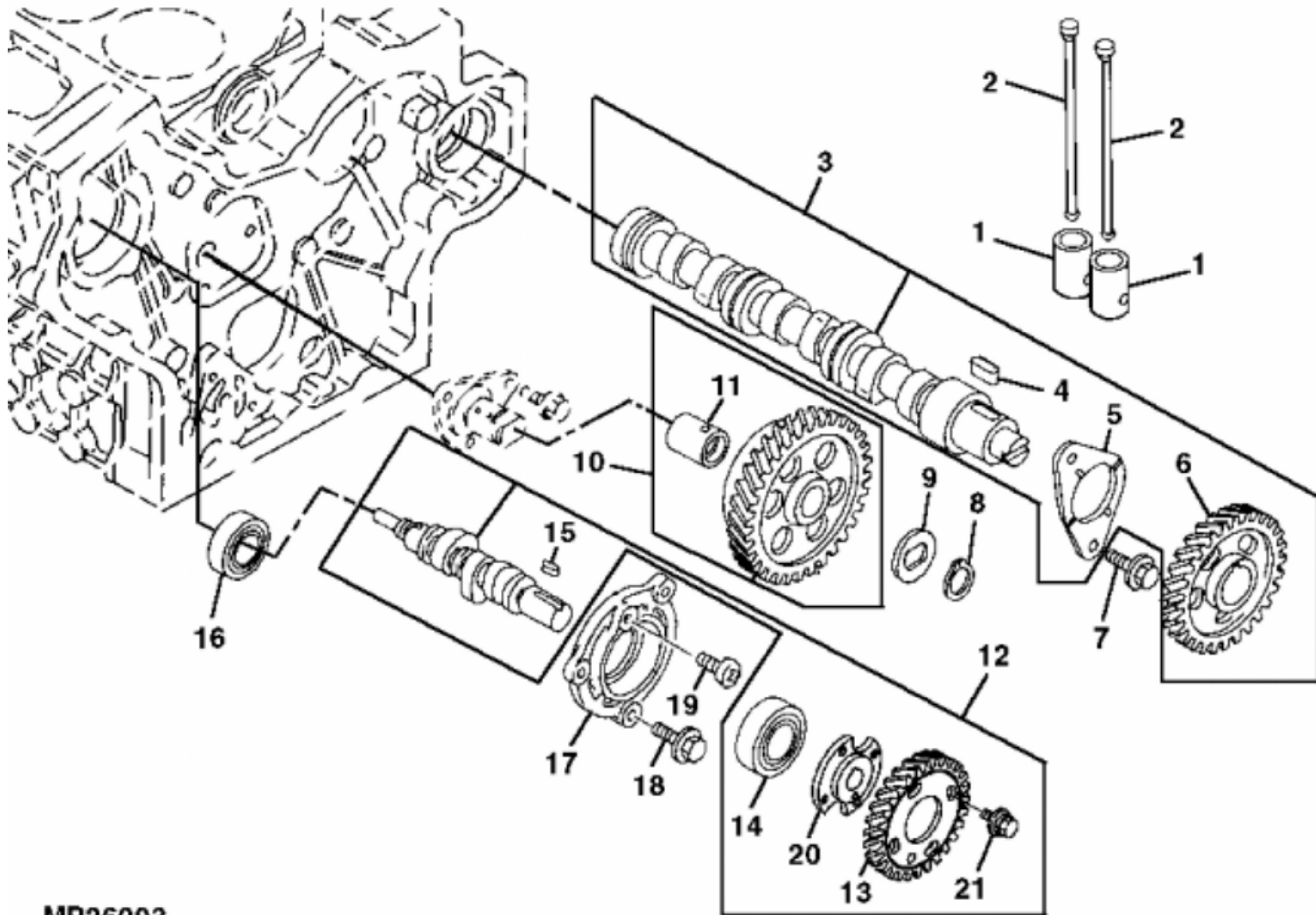
Hello dear friend!

Thank you very much for reading.

Enter the link into your browser.

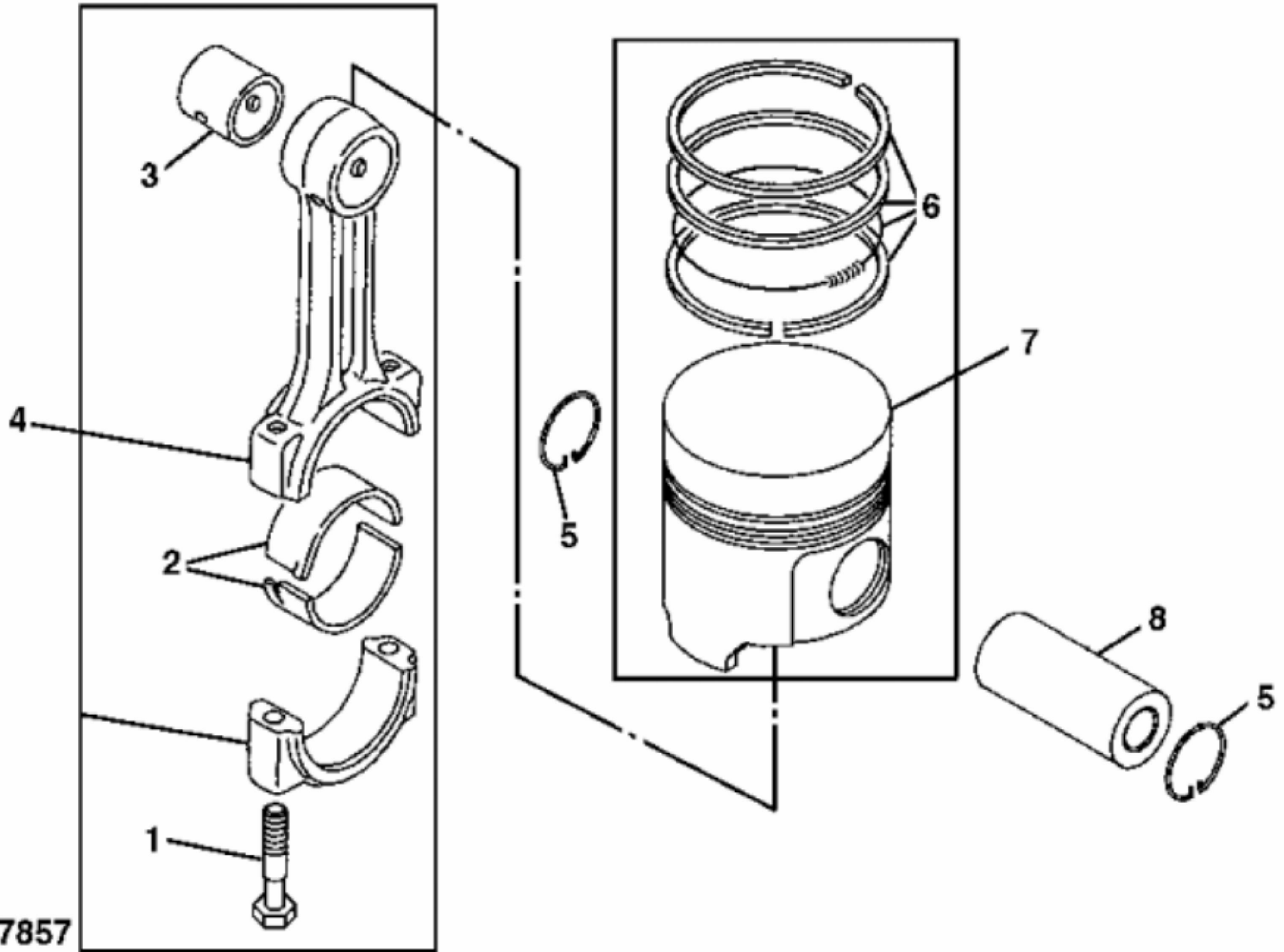
The full manual is available for immediate download.

<https://www.ebooklibonline.com>



MP26003

KEY	PART NO.	PART NAME	QTY	REMARKS	
1	M800036	CAM FOLLOWER	6		
2	M800037	PUSH ROD	6		
3	AM875019	CAMSHAFT	1		
4	M87812	SHAFT KEY	1		
5	M87810	FLANGE	1	THRUST BEARING	
6	M800035	GEAR	1	CAMSHAFT	
7	19M7774	SCREW	2	M6 X 12	
8	40M7080	SNAP RING	1		
9	M89139	PLATE	1	IDLE GEAR RETAINER	
10	AM875005	GEAR	1	IDLE (W/ BUSHING)	
11	M800300	BUSHING	1	IDLE GEAR	
12	CAMSHAFT	1	FUEL INJECTION PUMP	
13	GEAR	1		
14	M800073	BEARING	1		
15	M87812	SHAFT KEY	1		
16	M800496	BALL BEARING	1		
17	M89175	CASE	1	BEARING	
18	19M7775	SCREW	3	M6 X 16	
19	CH15405	SCREW	1		
20	FLANGE	1		
21	BOLT	4		



MP17857



Suggest:

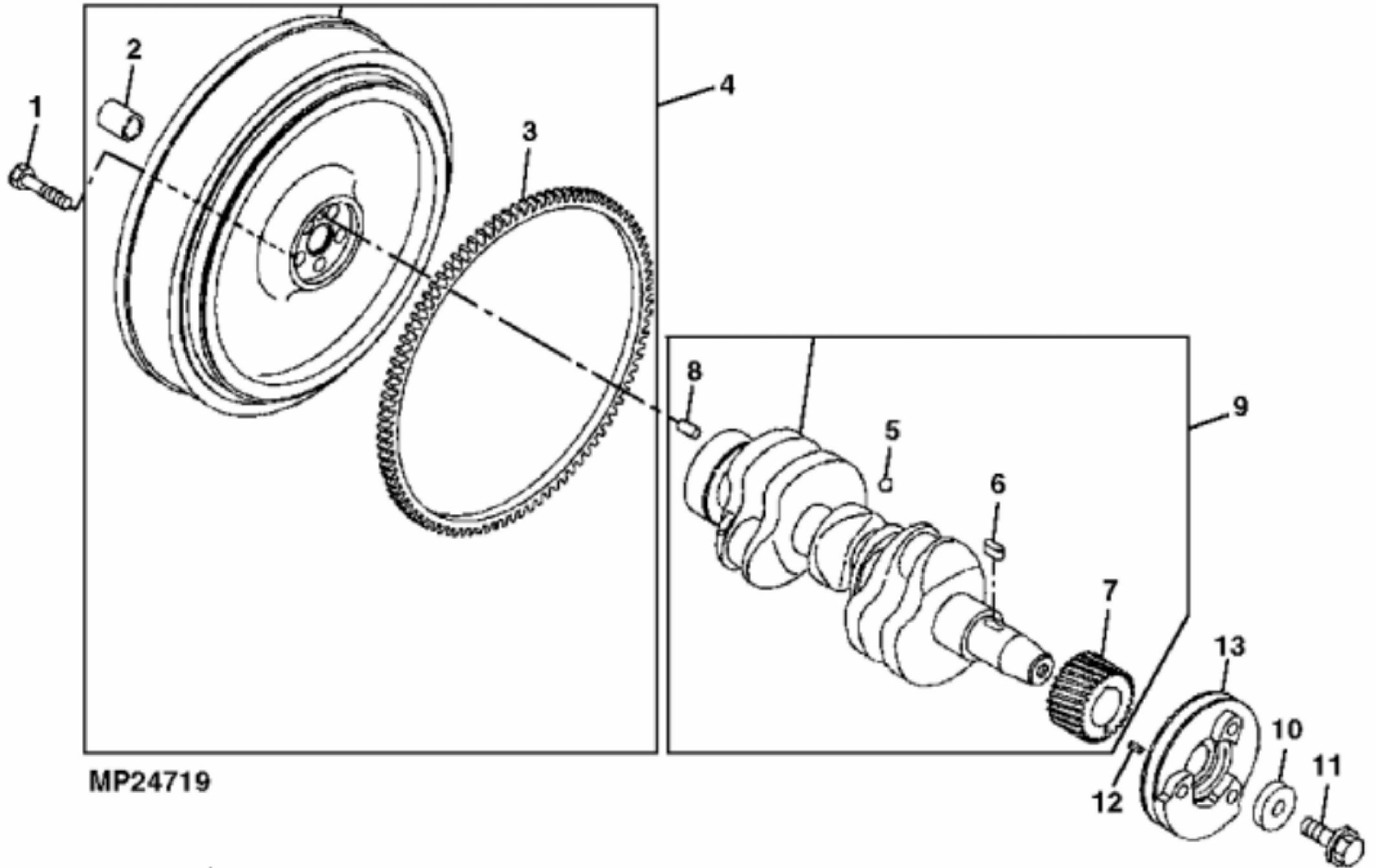
For more complete manuals. Please go to the home page.

<https://www.ebooklibonline.com>

If the above button click is invalid. Please download this document first, and then click the above link to download the complete manual.

Thank you so much for reading

KEY	PART NO.	PART NAME	QTY	REMARKS	
1	M806580	BOLT	2		
2	AM875022	BEARING KIT	1	STD	
2	AM875034	BEARING KIT	1	.25 MM (.010") US	
3	M800080	BUSHING	1		
4	AM878691	CONNECTING ROD	3		
5	CH14607	RING	6		
6	AM878688	PISTON RING KIT	1	STD	
6	AM878702	PISTON RING KIT	1	.25 MM (.010") OS	
7	AM878687	PISTON REPLACEMENT KIT	3	STD	
7	AM879717	PISTON REPLACEMENT KIT	3	.25 MM (.010") OS	
8	M806577	PISTON PIN	3		



MP24719

<https://www.ebooklibonline.com>

Hello dear friend!

Thank you very much for reading.

Enter the link into your browser.

The full manual is available for immediate download.

<https://www.ebooklibonline.com>