

MP64221

KEY	PART NO.	PART NAME	QTY	REMARKS
1	MIA880799	CYLINDER BLOCK	1	
2	CH10314	PLUG	1	
3	.....	PLUG	1	
4	CH10335	PLUG	2	
5	15H562	PIPE PLUG	1	1"
6	M801189	BOLT	10	
7	MIU800573	BUSHING	1	CAMSHAFT
8	M87801	PLUG	2	
9	30M7023	PLUG	8	
10	M802255	PIN	4	
11	M811307	PLUG	1	
12	M800974	PIPE	2	
13	MIA880555	BEARING	2	THRUST
14	MIU800797	SHAFT	1	
15	CH18079	SPRING PIN	2	
16	19M8317	SCREW	3	M8 X 40
17	M801186	BOLT	18	
18	M806518	ENGINE CYLINDER HEAD GASKET	1	
19	MIA880554	BEARING	5	MAIN, (STD)
19	MIA880550	BEARING	5	.25MM (.010"), US, MAIN
20	.....	BEARING CAP	5	
..	.....	ENGINE	1	(MARKED 4TNV88-ULJNT) (ORDER MIA880806)
..	MIA880806	SHORT BLOCK ASSEMBLY	1	NLA; ORDER MIA882696
..	MIA882696	SHORT BLOCK ASSEMBLY	1	

**<https://www.ebooklibonline.com>**

Hello dear friend!

Thank you very much for reading.

Enter the link into your browser.

The full manual is available for immediate download.

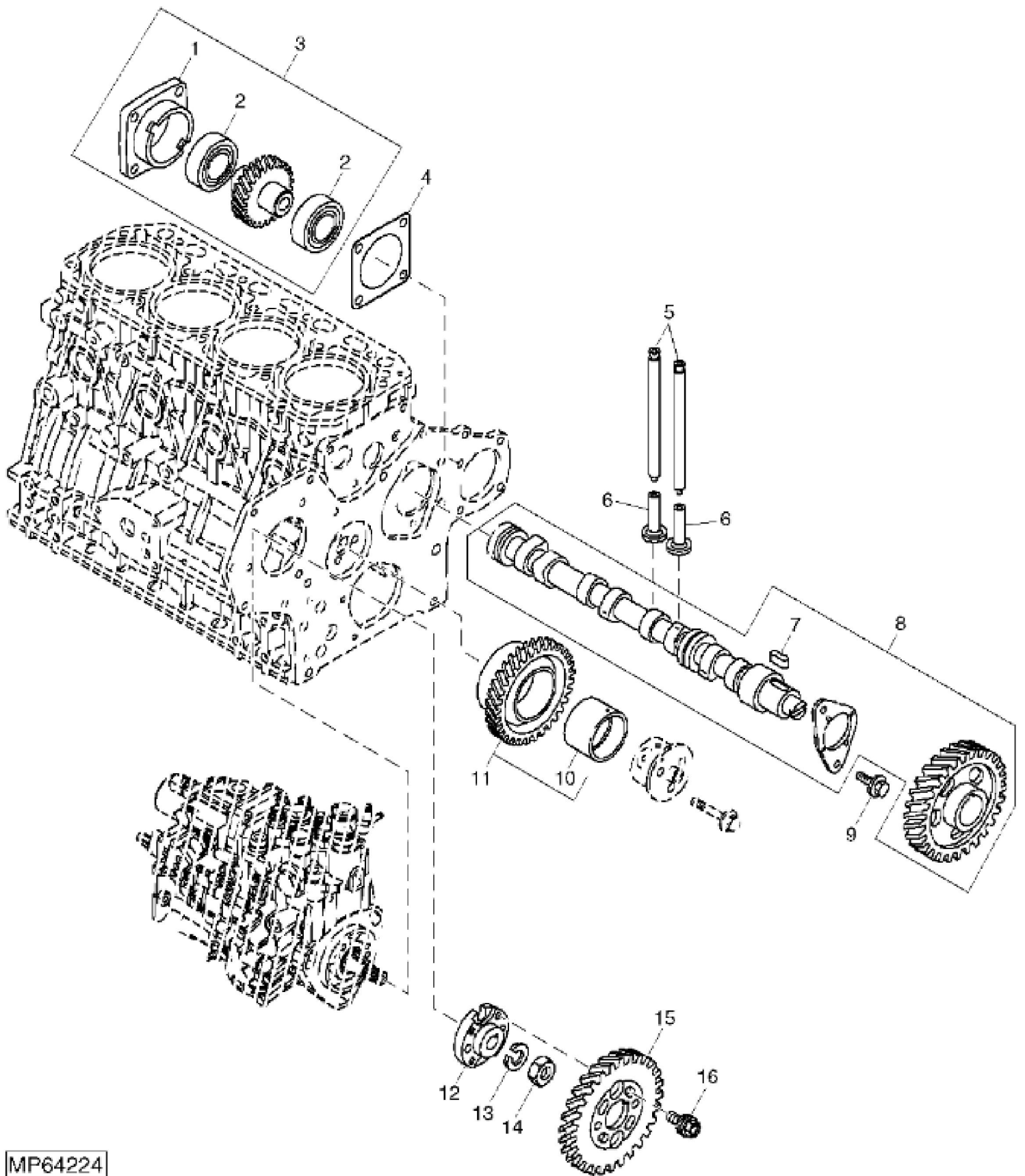
**<https://www.ebooklibonline.com>**



## ARMS

KEY	PART NO.	PART NAME	QTY	REMARKS
1	AT211695	LIFT ARM	2	ENGINE
2	CH19780	BOLT	4	
3	AM881804	ROCKER ARM SHAFT	1	
4	M811121	SHAFT	1	
5	M811050	SUPPORT	2	
6	M811051	SUPPORT	3	
7	M801025	SPRING	4	
8	AM881820	ROCKER ARM	8	
9	M801027	SCREW	1	
10	M801028	NUT	1	
11	M801024	STUD	3	
12	M801224	CAP	8	
13	MIA880794	CYLINDER HEAD	1	
14	CH16751	PLUG	2	
15	M811557	INTAKE VALVE	4	
16	MIU800494	EXHAUST VALVE	4	
17	M801222	SPRING	8	
18	M801223	RETAINER	8	
19	T110650	SEAL	4	
20	CH10450	SEAL	4	
21	AM878862	RETAINER KIT	8	
22	M801227	GUIDE	4	INTAKE VALVE
23	M801228	GUIDE	4	EXHAUST VALVE
24	M811052	SHIELD	4	
25	M801017	VALVE SEAT	4	
26	M811088	RETAINER	4	
27	M811080	WASHER	4	
28	CH19085	BOLT	3	
29	19M7897	SCREW	4	M8 X 35
30	19M7800	SCREW	7	M8 X 50
31	M805710	CAP	1	
32	AM881803	VALVE COVER	1	
33	M811085	PLATE	1	
34	M801032	DEFLECTOR	1	BREATHER

KEY	PART NO.	PART NAME	QTY	REMARKS	
35	M811046	PLATE	1		
36	M811649	COVER	1		
37	M811048	DIAPHRAGM	1		
38	M811650	SPRING	1		
39	M811123	GASKET	1		
40	M807374	SCREW	8		
41	CH10348	NUT	3		
42	CH10568	PACKING	3		
43	M805711	PACKING	1		
44	MIU800798	WIRING HARNESS	1	GLOW PLUG	
45	MIU800816	GLOW PLUG	4		
46	MIU800828	ELECTRICAL CONNECTOR ASSY	1	GLOW PLUG	
47	.....	SEALANT	1		



MP64224



**Suggest:**

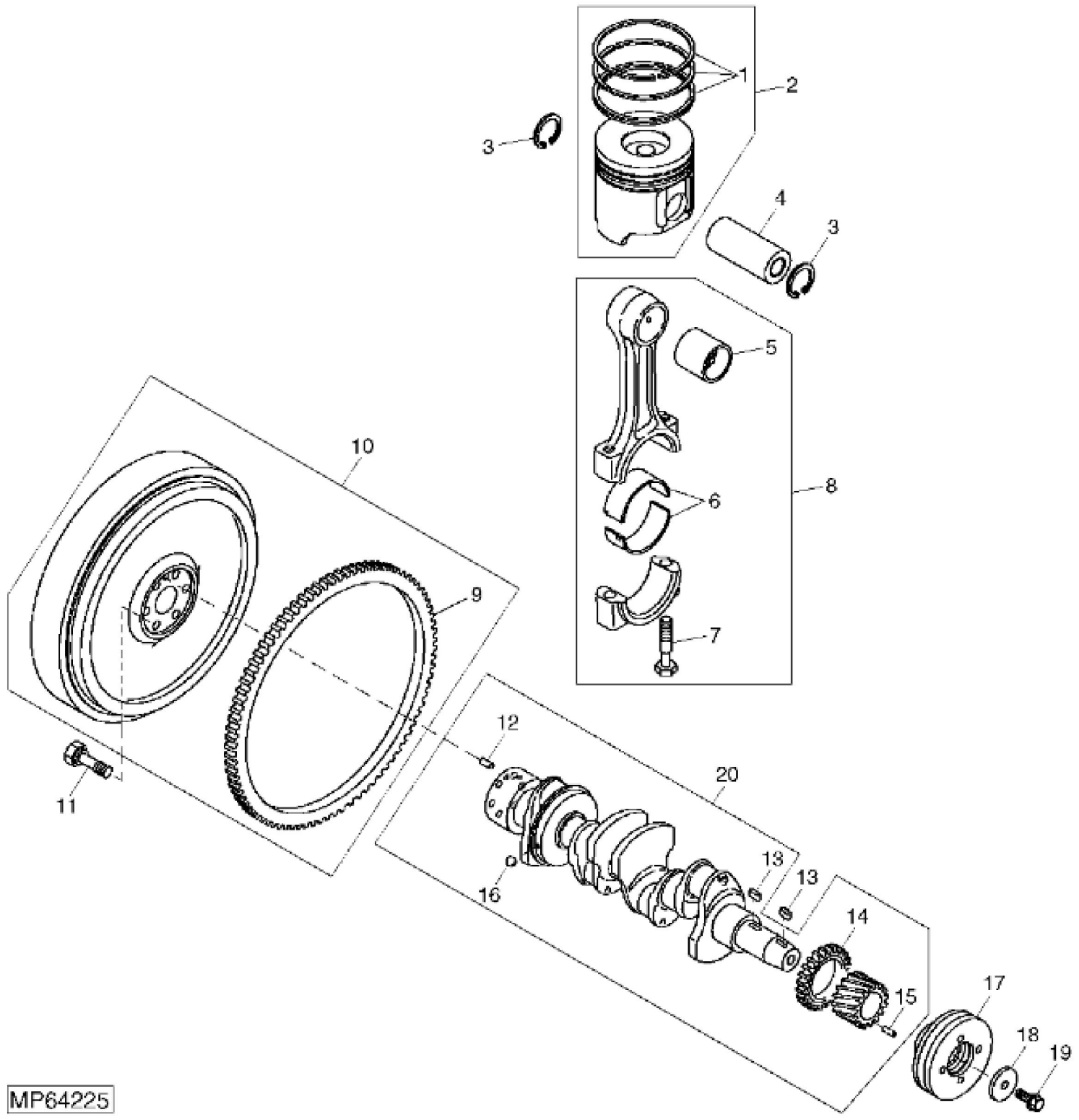
**For more complete manuals. Please go to the home page.**

**<https://www.ebooklibonline.com>**

**If the above button click is invalid. Please download this document first, and then click the above link to download the complete manual.**

**Thank you so much for reading**

KEY	PART NO.	PART NAME	QTY	REMARKS	
1	M802618	BRACKET	1		
2	CH13505	BALL BEARING	2		
3	AM876339	GEAR	1	HYDRAULIC PUMP DRIVE	
4	M805840	GASKET	1		
5	M801238	PUSH ROD	8		
6	M801046	CAM FOLLOWER	8		
7	M801045	SHAFT KEY	1		
8	AM875386	CAMSHAFT	1		
9	CH19780	BOLT	2		
10	MIU800595	BUSHING	1		
11	MIA880571	IDLER GEAR	1		
12	.....	FLANGE	1		
13	12M7068	LOCK WASHER	1	14 mm	
14	CH17448	NUT	1		
15	M811057	GEAR	1		
16	.....	BOLT	4		



MP64225

**<https://www.ebooklibonline.com>**

Hello dear friend!

Thank you very much for reading.

Enter the link into your browser.

The full manual is available for immediate download.

**<https://www.ebooklibonline.com>**