

John Deere > Turf And Utility >TRACTOR, COMPACT UTILITY >3TNV84T - TRACTOR, COMPACT UTILITY >3520 Compact Utility Tractor >20 ENGINE (MARKED 3TNV84T-MJT) >ST348783 - CYLINDER BLOCK AND MAIN BEARINGS

KEY	PART NO.	PART NAME	QTY	REMARKS
1	M801186	BOLT	14	
2	M806440	ENGINE CYLINDER HEAD GASKET	1	
3	CYLINDER BLOCK	1	
4	30M7023	PLUG	6	
5	15H562	PIPE PLUG	1	1"
6	MIU800573	BUSHING	1	CAMSHAFT (SUB FOR M800977)
7	M811055	SHAFT	1	IDLE GEAR
8	19M8317	BOLT	3	
9	M87801	PLUG	2	
10	M800974	PIPE	2	KNOCK, L=18 FOR GEARCASE
11	MIA880554	BEARING	4	MAIN (STD) (SUB FOR AM881821)
11	MIA880550	BEARING	4	MAIN (.25 MM (.010") US), (SUB FOR AM875374)
12	BEARING CAP	3	MAIN BEARING
13	M801189	BOLT	8	
14	BEARING CAP	1	MAIN BEARING
15	MIA880555	THRUST WASHER	2	BEARING ASSY (SUB FOR AM875373)
16	CH10335	PLUG	3	
17	CH10314	PLUG	1	
18	M802255	PIN	4	
19	DRAIN PLUG	1	
20	CH18079	SPRING PIN	2	
21	CH15575	PIN	3	
22	T110725	NOZZLE	3	COOLING
23	T110724	CHECK VALVE	3	
24	M811084	SPACER	1	
..	AM133333	ENGINE	1	(MARKED3TNV84T-MJT) (SUB AM882120)
..	AM882120	SHORT BLOCK ASSEMBLY	1	

<https://www.ebooklibonline.com>

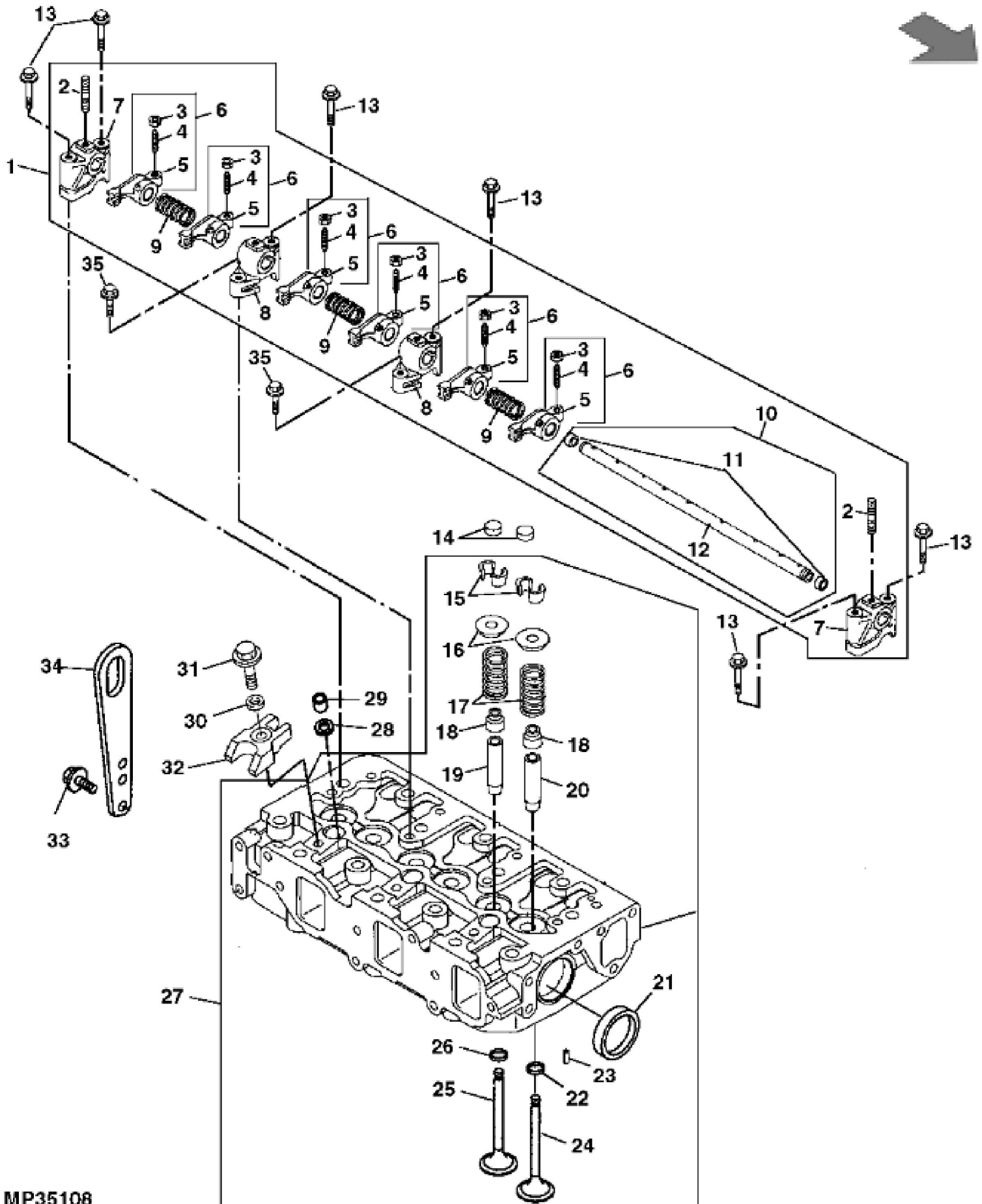
Hello dear friend!

Thank you very much for reading.

Enter the link into your browser.

The full manual is available for immediate download.

<https://www.ebooklibonline.com>

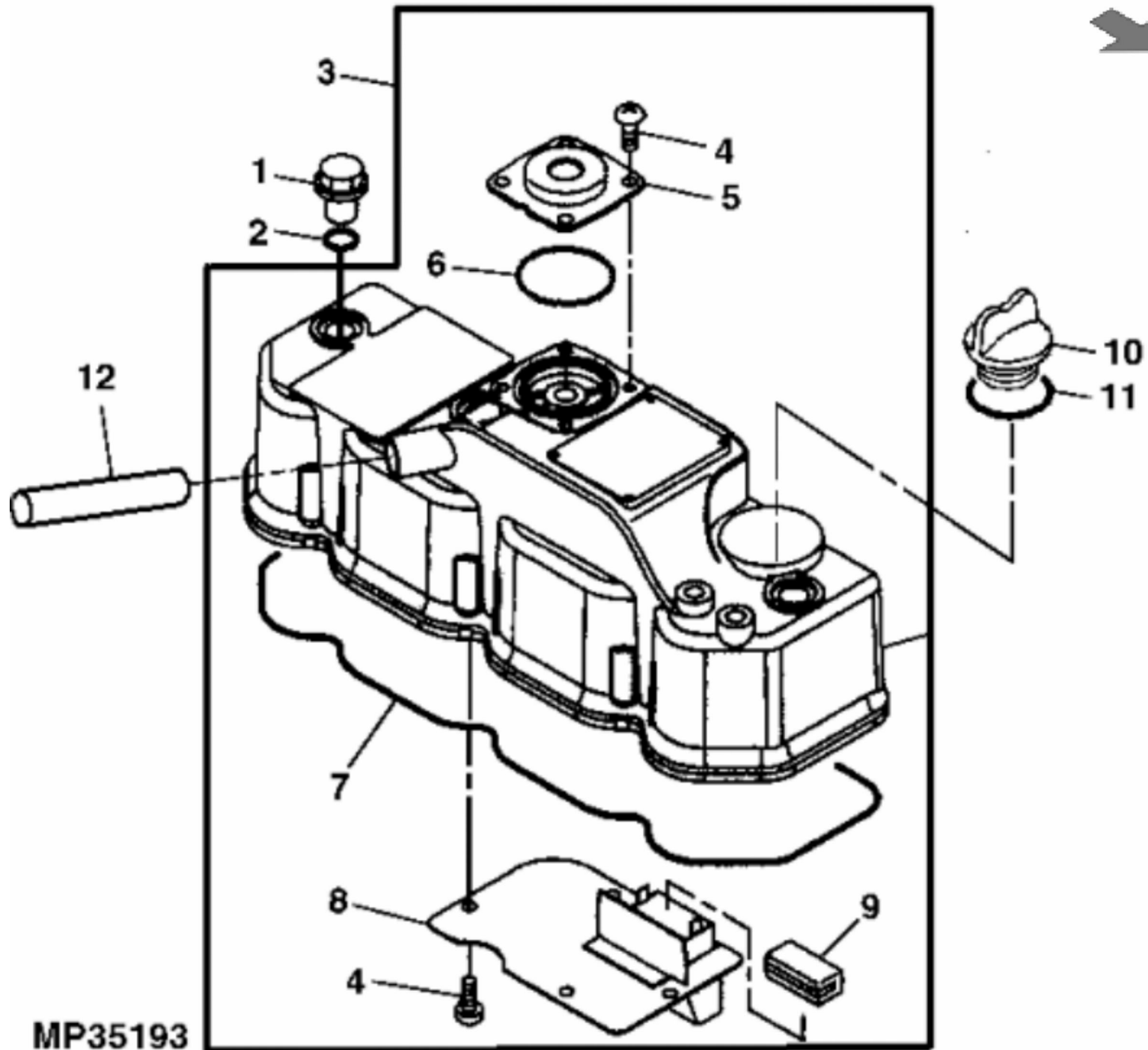


MP35108

John Deere > Turf And Utility >TRACTOR, COMPACT UTILITY >3TNV84T - TRACTOR, COMPACT UTILITY >3520 Compact Utility Tractor >20 ENGINE (MARKED 3TNV84T-MJT) >ST348784 - CYLINDER HEAD, VALVES AND ROCKER ARMS

KEY	PART NO.	PART NAME	QTY	REMARKS
1	AM882086	KIT	1	ROCKER SHAFT
2	STUD	2	
3	M801028	NUT	6	
4	M801027	STUD	6	ADJUST
5	ROCKER ARM	6	
6	AM881820	ARM	6	
7	M811050	SUPPORT	2	ROCKER ARM
8	M811051	SUPPORT	2	ROCKER ARM
9	M801025	SPRING	3	
10	M811426	ROCKER ARM SHAFT	1	
11	PLUG	2	
12	SHAFT	1	
13	19M7800	BOLT	6	
14	M801224	CAP	6	
15	AM878862	RETAINER KIT	6	(2 PER PKG), VALVE RETAINER
16	M801223	RETAINER	6	SPRING
17	M801222	SPRING	6	VALVE
18	CH10450	SEAL	3	INTAKE
18	T110650	SEAL	3	EXHAUST
19	M801228	GUIDE	3	EXHAUST
20	M801227	GUIDE	3	INTAKE
21	CH16751	PLUG	2	
22	M811498	VALVE SEAT	3	INTAKE
23	M801217	PLUG	3	
24	MIU800446	INTAKE VALVE	3	(SUB FOR M811086 OR M811797)
25	T110649	EXHAUST VALVE	3	
26	T110653	VALVE SEAT	3	EXHAUST
27	AM882106	CYLINDER HEAD	1	
28	M801017	VALVE SEAT	3	
29	M811052	GUARD	3	NOZZLE
30	M811080	WASHER	3	
31	19M7897	BOLT	3	
32	M811088	RETAINER	3	
33	CH19780	BOLT	4	M8 X 14

KEY	PART NO.	PART NAME	QTY	REMARKS	
34	AT211695	LIFT ARM	2		
35	19M7867	BOLT	2		



MP35193



Suggest:

For more complete manuals. Please go to the home page.

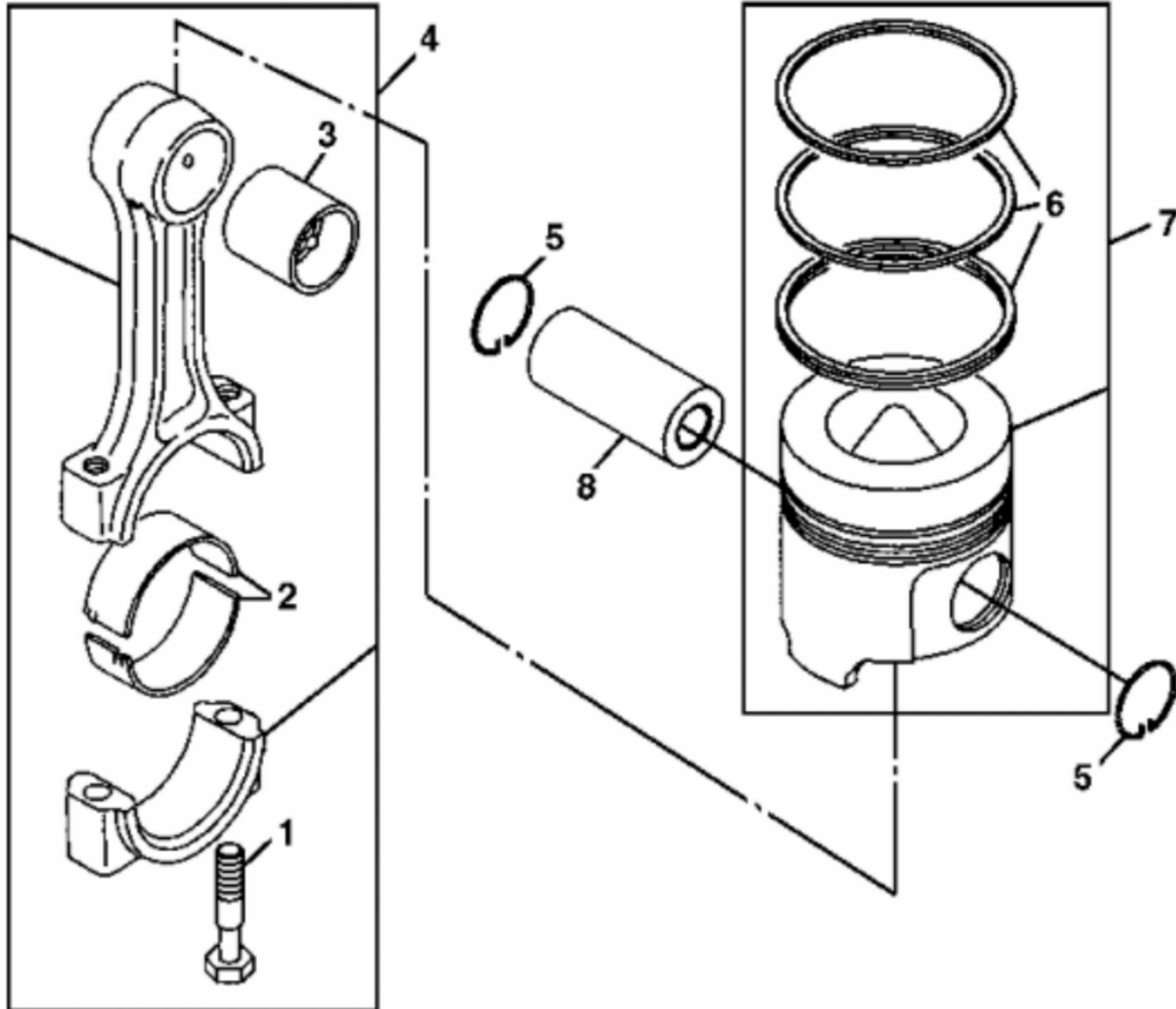
<https://www.ebooklibonline.com>

If the above button click is invalid. Please download this document first, and then click the above link to download the complete manual.

Thank you so much for reading

HEAD COVER AND GASKETS

KEY	PART NO.	PART NAME	QTY	REMARKS	
1	CH10348	PLUG	3		
2	CH10568	O-RING	3	PACKING	
3	AM882105	COVER	1		
4	M807374	SCREW	8		
5	M811453	COVER	1	BREATHER	
6	CH15411	O-RING	1		
7	M811429	GASKET	1		
8	M811085	PLATE	1		
9	M801032	DEFLECTOR	1		
10	M805710	CAP	1	OIL FILL	
11	M805711	O-RING	1	PACKING P32	
12	M801037	HOSE	1	BREATHER PIPE	



MP18666

<https://www.ebooklibonline.com>

Hello dear friend!

Thank you very much for reading.

Enter the link into your browser.

The full manual is available for immediate download.

<https://www.ebooklibonline.com>