

LV272514

KEY	PART NO.	PART NAME	QTY	REMARKS
1	AM882596	CYLINDER BLOCK	1	
2	CH10314	PLUG	1	
3	M809565	DRAIN PLUG	1	
4	CH10335	PLUG	3	
5	15H562	PIPE PLUG	1	1"
6	M801189	BOLT	8	
7	MIU800573	BUSHING	1	
8	M87801	PLUG	2	
9	30M7023	PLUG	6	
10	M802255	PIN	4	
11	M800974	PIPE	2	
12	MIA880555	BEARING	2	
12	MIA882809	BEARING KIT	1	(Over Sized(O.S.=0.25)Part)
13	M811055	SHAFT	1	
14	T110724	CHECK VALVE	3	
15	T110725	NOZZLE	3	
16	CH15575	PIN	3	
17	CH18079	SPRING PIN	2	
18	19M7897	SCREW	3	M8 X 35
19	M811084	SPACER	1	
20	M801186	BOLT	14	
21	M806440	ENGINE CYLINDER HEAD GASKET	1	
22	MIA880554	BEARING	4	(Spare Part)
22	MIA880550	BEARING	4	(Under Sized(U.S.=0.25)Part)
23	M801190	BEARING CAP	1	
24	M801191	BEARING CAP	3	
25	MIA13176	DIESEL ENGINE	1	MARKED 3TNV84HT-JTEE; SUB FOR MIA12404; Not Illustrated

**<https://www.ebooklibonline.com>**

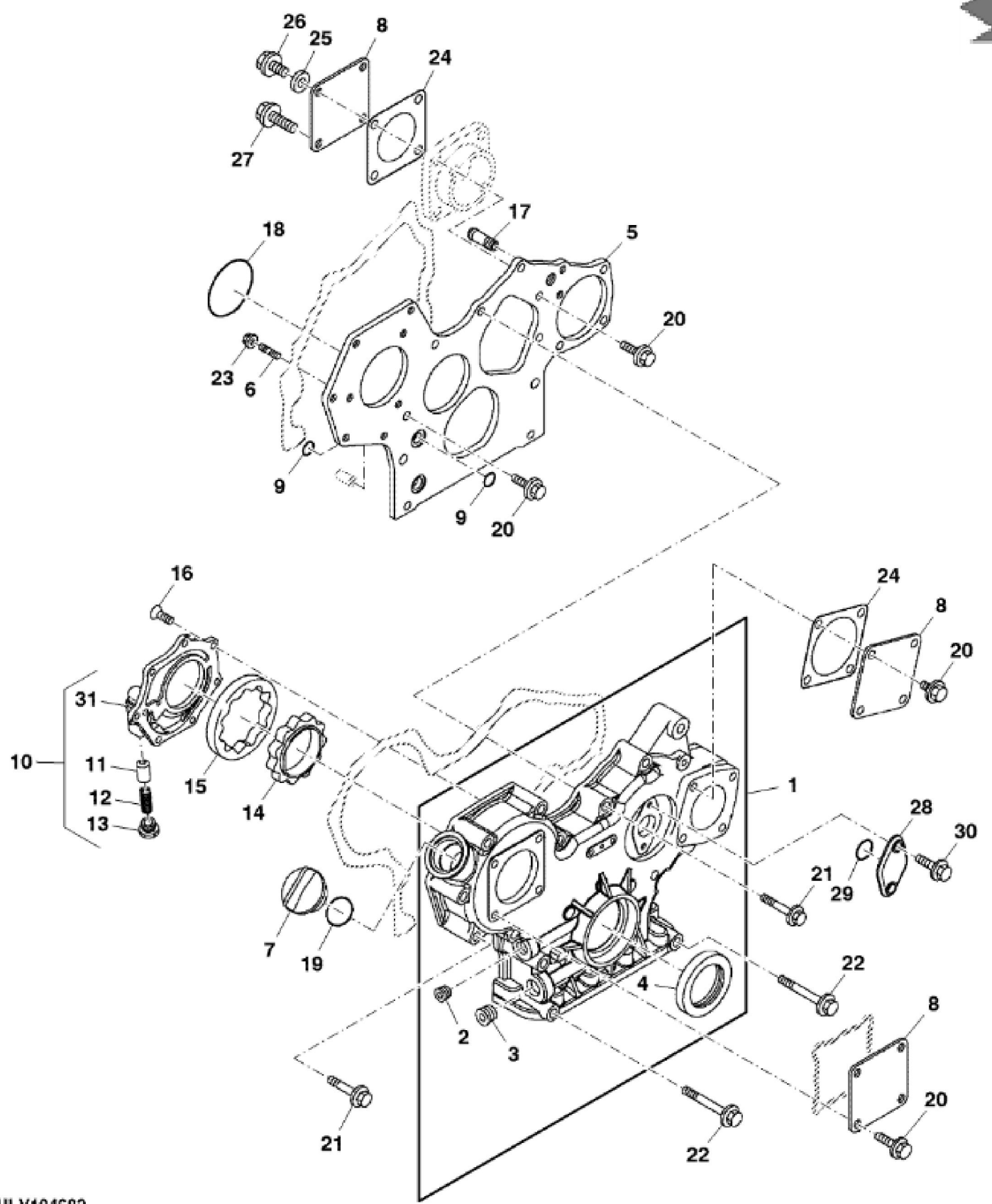
Hello dear friend!

Thank you very much for reading.

Enter the link into your browser.

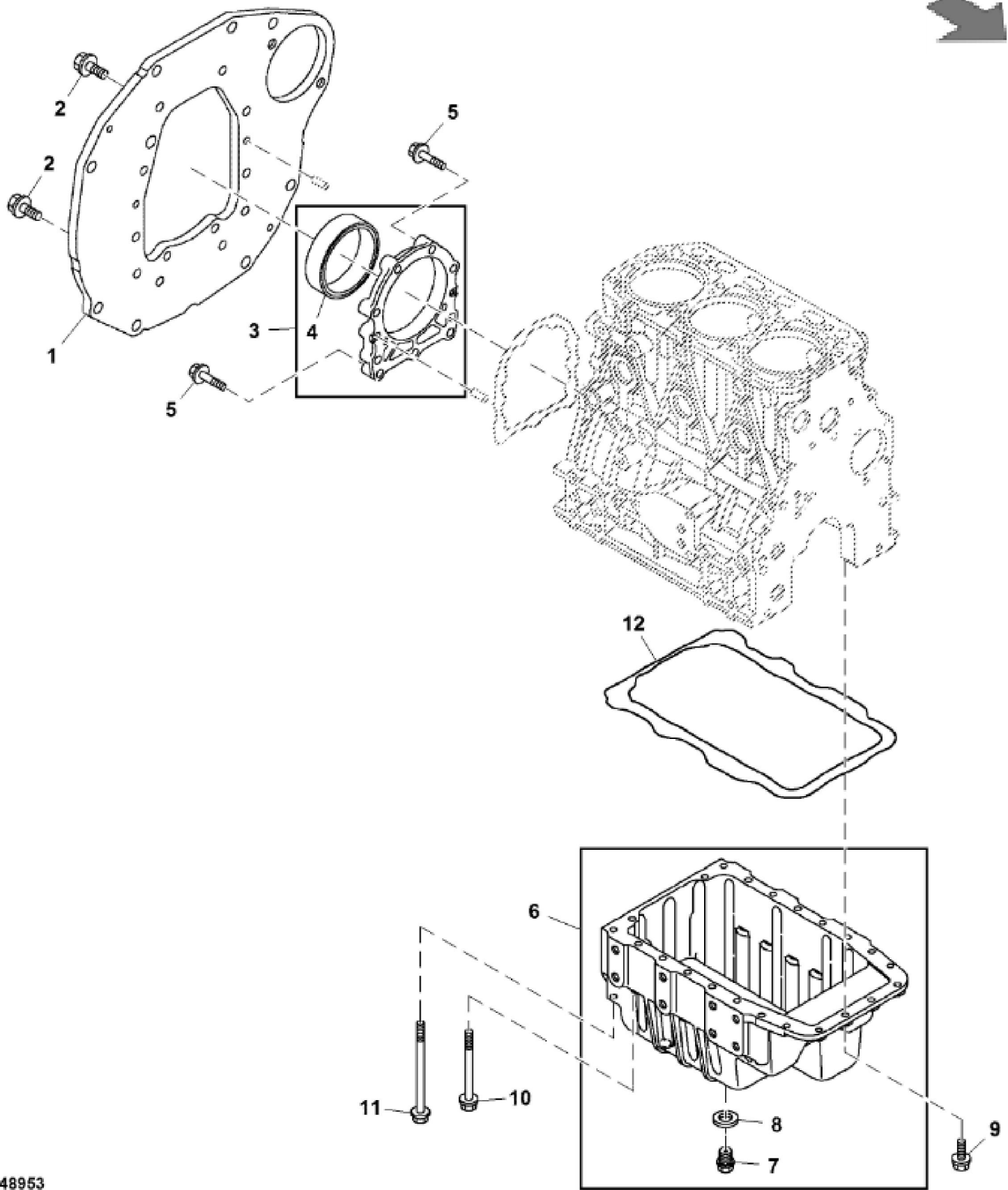
The full manual is available for immediate download.

**<https://www.ebooklibonline.com>**



PULV104682

KEY	PART NO.	PART NAME	QTY	REMARKS
1	AM881954	GEAR CASE	1	
2	M806938	PLUG	1	
3	LVU800081	PLUG	1	
4	M811078	SEAL	1	
5	M811662	FLANGE	1	
6	MIU800440	STUD	3	
7	M805710	CAP	1	
8	CH18096	COVER	3	
9	M810185	O-RING	4	
10	AM881828	COVER	1	
11	M811140	PRESSURE RELIEF VALVE	1	
12	RG60607	SPRING	1	
13	M806737	PLUG	1	
14	M811059	ROTOR	1	
15	M811060	ROTOR	1	
16	M811061	SCREW	7	
17	T110730	UNIVERSAL JOINT	1	
18	CH16940	O-RING	1	
19	M805711	PACKING	1	
20	19M7865	SCREW	11	M8 X 16
21	CH19090	BOLT	11	
22	CH19136	BOLT	3	
23	14M7298	FLANGE NUT	3	M8, SUB FOR M810186
24	MIU802578	GASKET	2	
25	M803523	WASHER	1	
26	19M7866	SCREW	1	M8 X 20
27	19M7868	SCREW	3	M8 X 30
28	MIU800476	COVER	1	
29	CH13526	PACKING	1	
30	19M7775	SCREW	2	M6 X 16
31	M811058	COVER	1	



LV248953



**Suggest:**

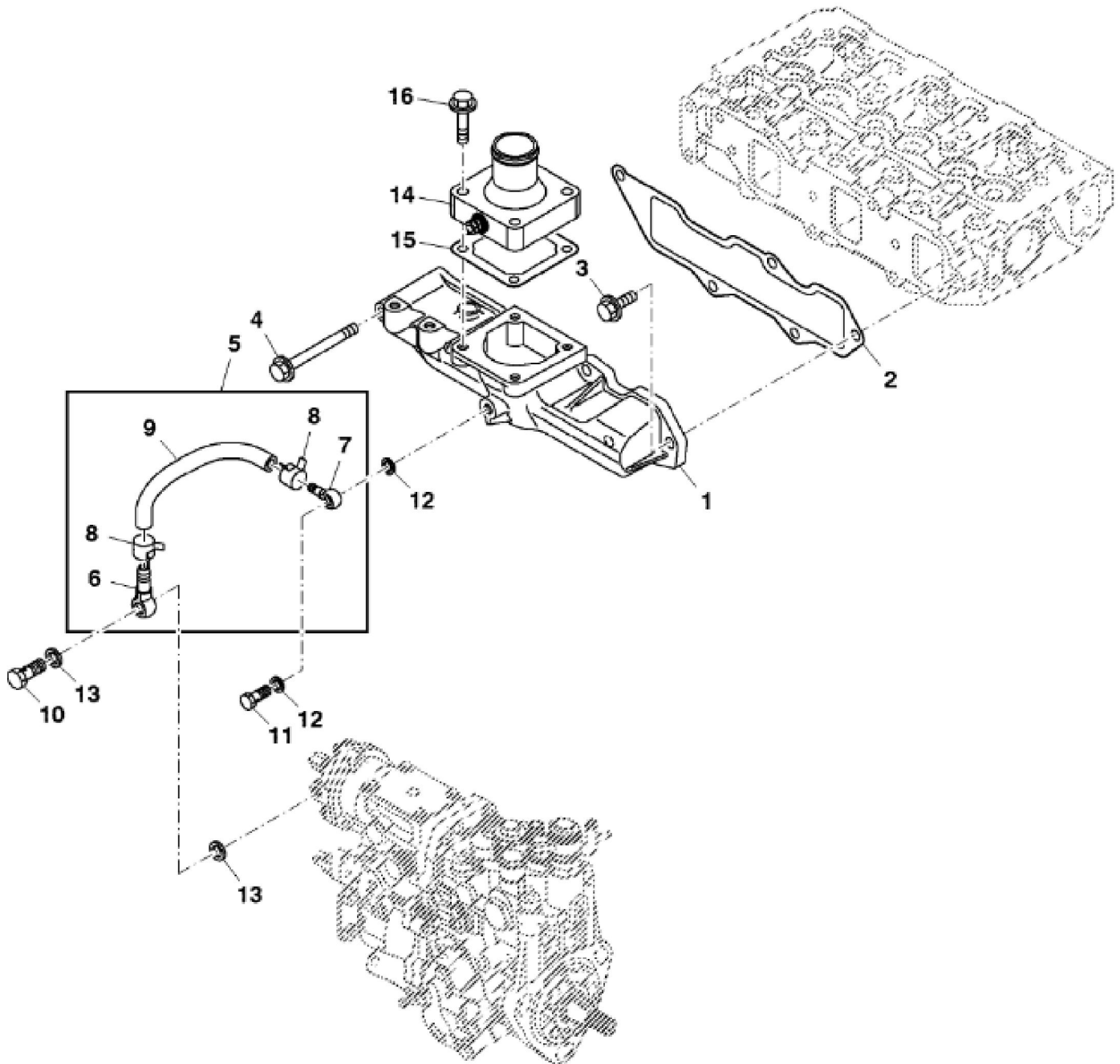
**For more complete manuals. Please go to the home page.**

**<https://www.ebooklibonline.com>**

**If the above button click is invalid. Please download this document first, and then click the above link to download the complete manual.**

**Thank you so much for reading**

KEY	PART NO.	PART NAME	QTY	REMARKS	
1	M808634	FLANGE	1		
2	M800011	BOLT	8		
3	AM875375	CASE	1		
4	M805278	SEAL	1		
5	M808308	BOLT	9		
6	AM882497	RESERVOIR	1		
7	T111565	PLUG	2		
8	M811568	WASHER	2		
9	CH19085	BOLT	6		
10	CH19136	BOLT	12		
11	T111562	BOLT	4		
12	M64850	SEALANT	1		



PULV104685

**<https://www.ebooklibonline.com>**

Hello dear friend!

Thank you very much for reading.

Enter the link into your browser.

The full manual is available for immediate download.

**<https://www.ebooklibonline.com>**