

KEY	PART NO.	PART NAME	QTY	REMARKS
1	M806811	ENGINE CYLINDER HEAD GASKET	1	
2	MIA880555	BEARING	2	
3	MIA880550	BEARING	4	(Under Sized (U.S.=0.25 mm) Part)
4	CH10314	PLUG	1	
5	M809565	DRAIN PLUG	1	
6	CH10335	PLUG	3	
7	M801186	BOLT	14	
8	15H562	PIPE PLUG	1	1"
9	M801189	BOLT	8	
10	MIA882809	BEARING KIT	1	(Over Sized (O.S.=0.25 mm) Part)
11	M811084	SPACER	1	
12	MIU800573	BUSHING	1	
13	M87801	PLUG	2	
14	30M7023	PLUG	6	
15	MIA880554	BEARING	4	(Spare Parts)

<https://www.ebooklibonline.com>

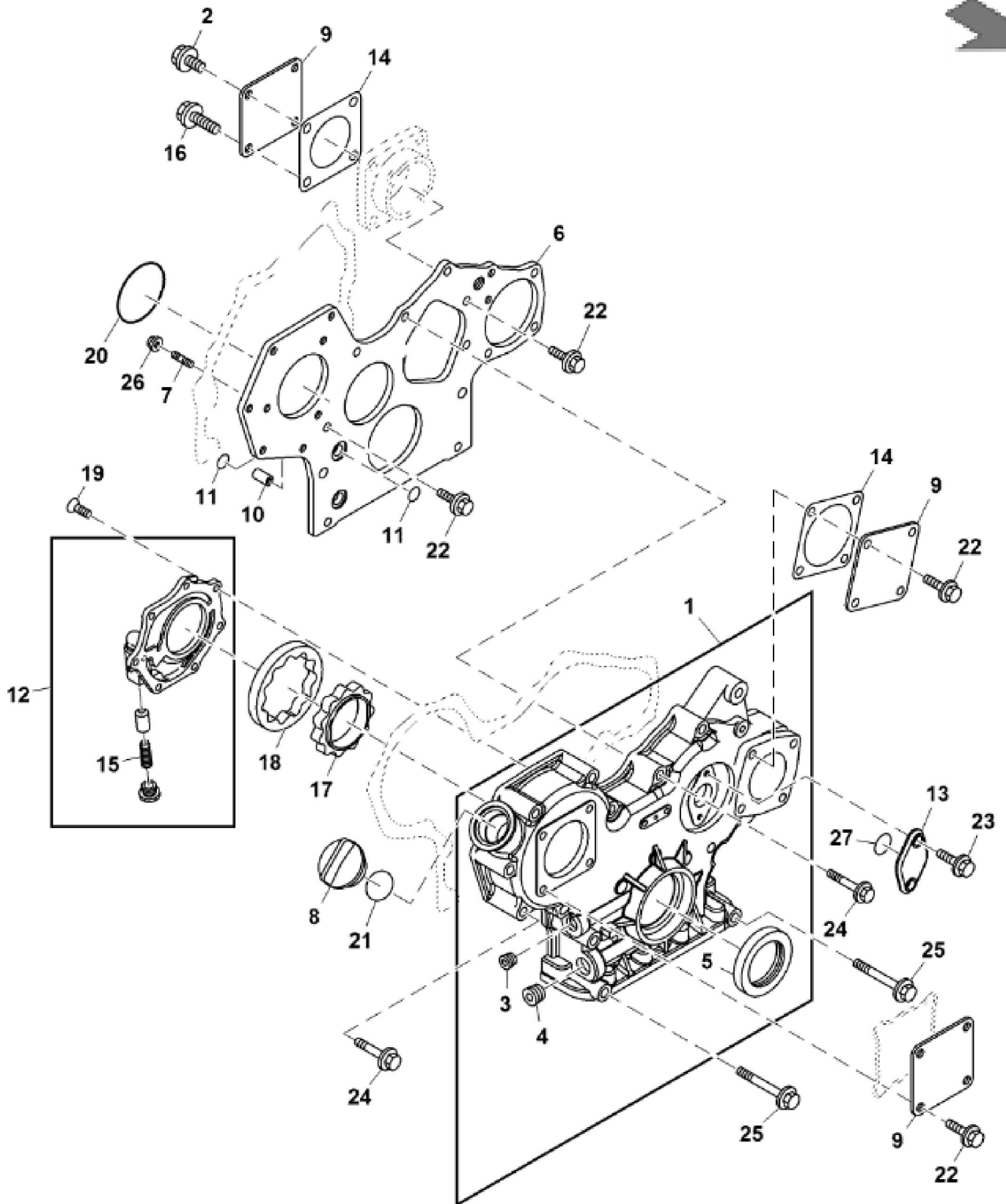
Hello dear friend!

Thank you very much for reading.

Enter the link into your browser.

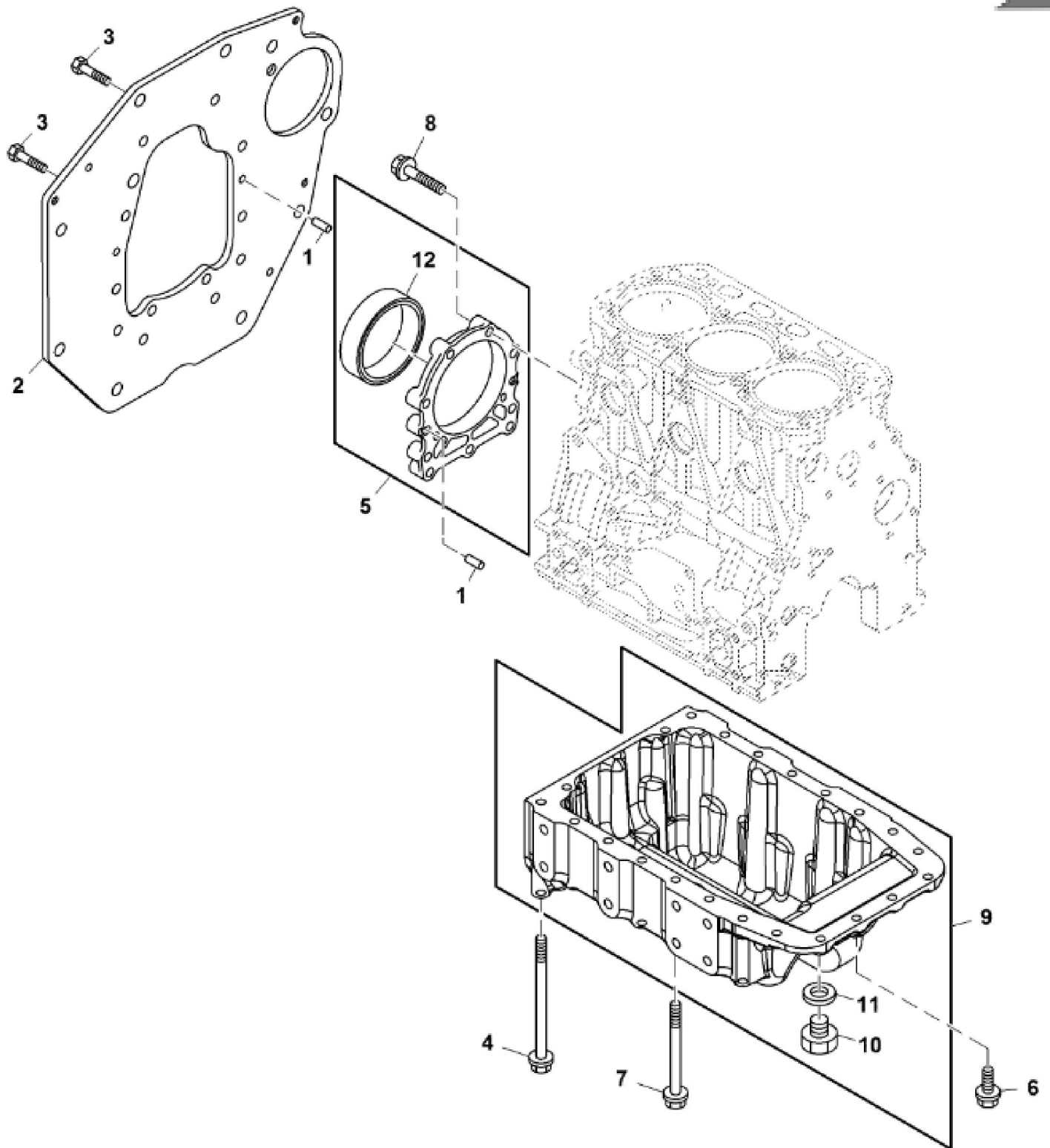
The full manual is available for immediate download.

<https://www.ebooklibonline.com>



PY249174

KEY	PART NO.	PART NAME	QTY	REMARKS	
1	MIA883111	GEAR CASE	1		
2	19M7866	SCREW	1	M8 X 20	
3	M806938	PLUG	1		
4	LVU800081	PLUG	1		
5	M811078	SEAL	1		
6	M811312	FLANGE	1		
7	MIU800440	STUD	3		
8	M805710	CAP	1		
9	CH18096	COVER	3		
10	M800974	PIPE	2		
11	M810185	O-RING	4		
12	AM881828	COVER	1		
13	MIU800476	COVER	1		
14	MIU802578	GASKET	2		
15	RG60607	SPRING	1		
16	19M7868	SCREW	3	M8 X 30	
17	M811059	ROTOR	1		
18	M811060	ROTOR	1		
19	M811061	SCREW	7		
20	CH16940	O-RING	1		
21	M805711	PACKING	1		
22	19M7865	SCREW	11	M8 X 16	
23	19M7775	SCREW	2	M6 X 16	
24	19M7979	SCREW	11	M8 X 55	
25	CH19136	BOLT	3		
26	14M7298	FLANGE NUT	3	M8	
27	CH13526	PACKING	1		



PY290252



Suggest:

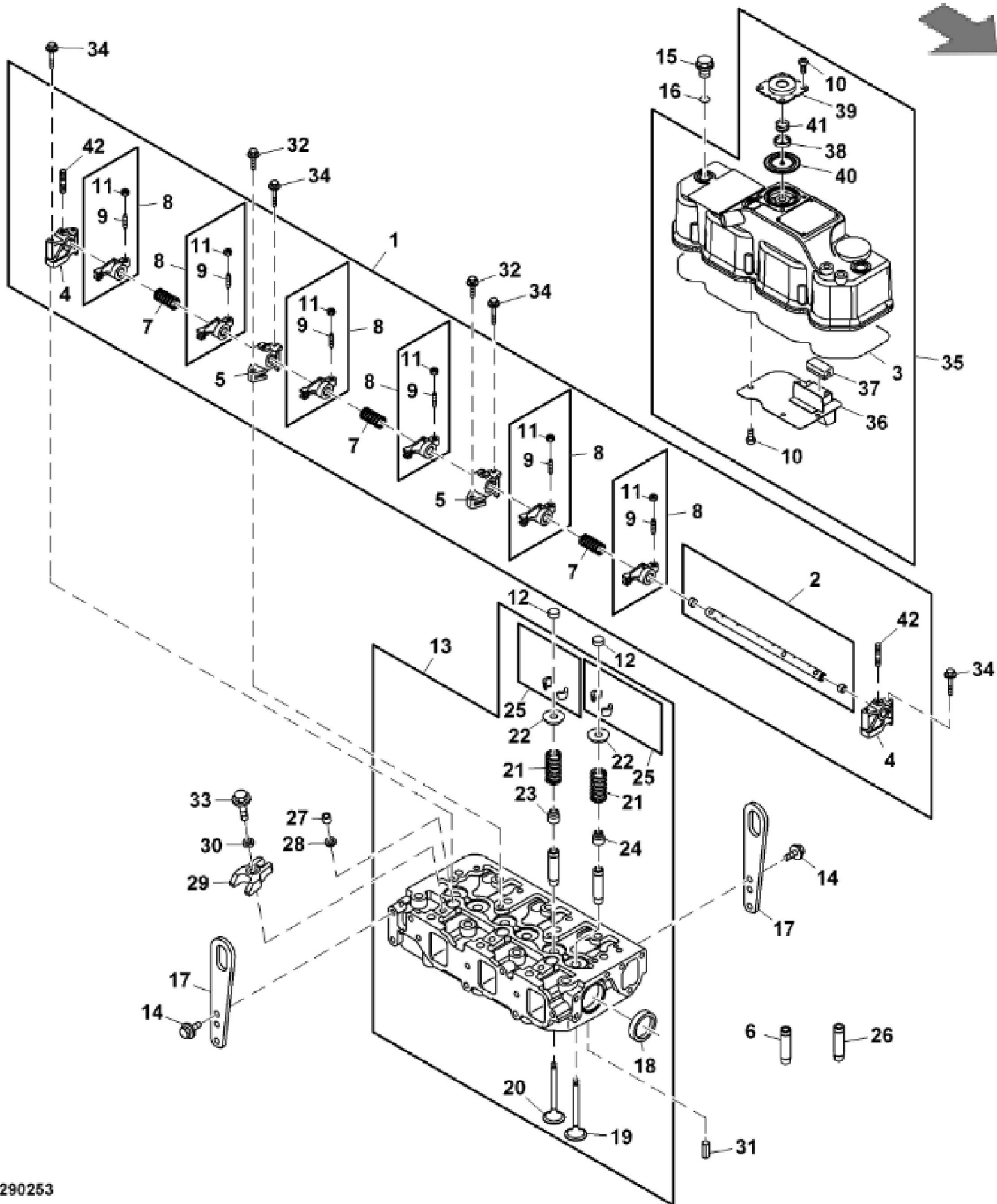
For more complete manuals. Please go to the home page.

<https://www.ebooklibonline.com>

If the above button click is invalid. Please download this document first, and then click the above link to download the complete manual.

Thank you so much for reading

KEY	PART NO.	PART NAME	QTY	REMARKS	
1	M802255	PIN	4		
2	MIU804114	FLANGE	1		
3	M800011	BOLT	8		
4	T111562	BOLT	4		
5	MIA881006	CASE	1		
6	CH19085	BOLT	6		
7	CH19136	BOLT	12		
8	M808308	BOLT	9		
9	MIA884099	OIL PAN	1		
10	T111565	PLUG	1		
11	M811568	WASHER	1		
12	MIU800955	SEAL	1		



<https://www.ebooklibonline.com>

Hello dear friend!

Thank you very much for reading.

Enter the link into your browser.

The full manual is available for immediate download.

<https://www.ebooklibonline.com>