

PY275553

KEY	PART NO.	PART NAME	QTY	REMARKS	
1	M806811	ENGINE CYLINDER HEAD GASKET	1		
2	MIA880555	BEARING	2		
3	MIA880550	BEARING	4	(Under Sized (U.S.=0.25 mm) Part)	
4	CH10314	PLUG	1		
5	M809565	DRAIN PLUG	1		
6	CH10335	PLUG	3		
7	M801186	BOLT	14		
8	15H562	PIPE PLUG	1	1"	
9	M801189	BOLT	8		
10	MIA882809	BEARING KIT	1	(Over Sized (O.S.=0.25 mm) Part)	
11	M811084	SPACER	1		
12	MIU800573	BUSHING	1		
13	M87801	PLUG	2		
14	30M7023	PLUG	6		
15	MIA880554	BEARING	4	(Spare Parts)	

**<https://www.ebooklibonline.com>**

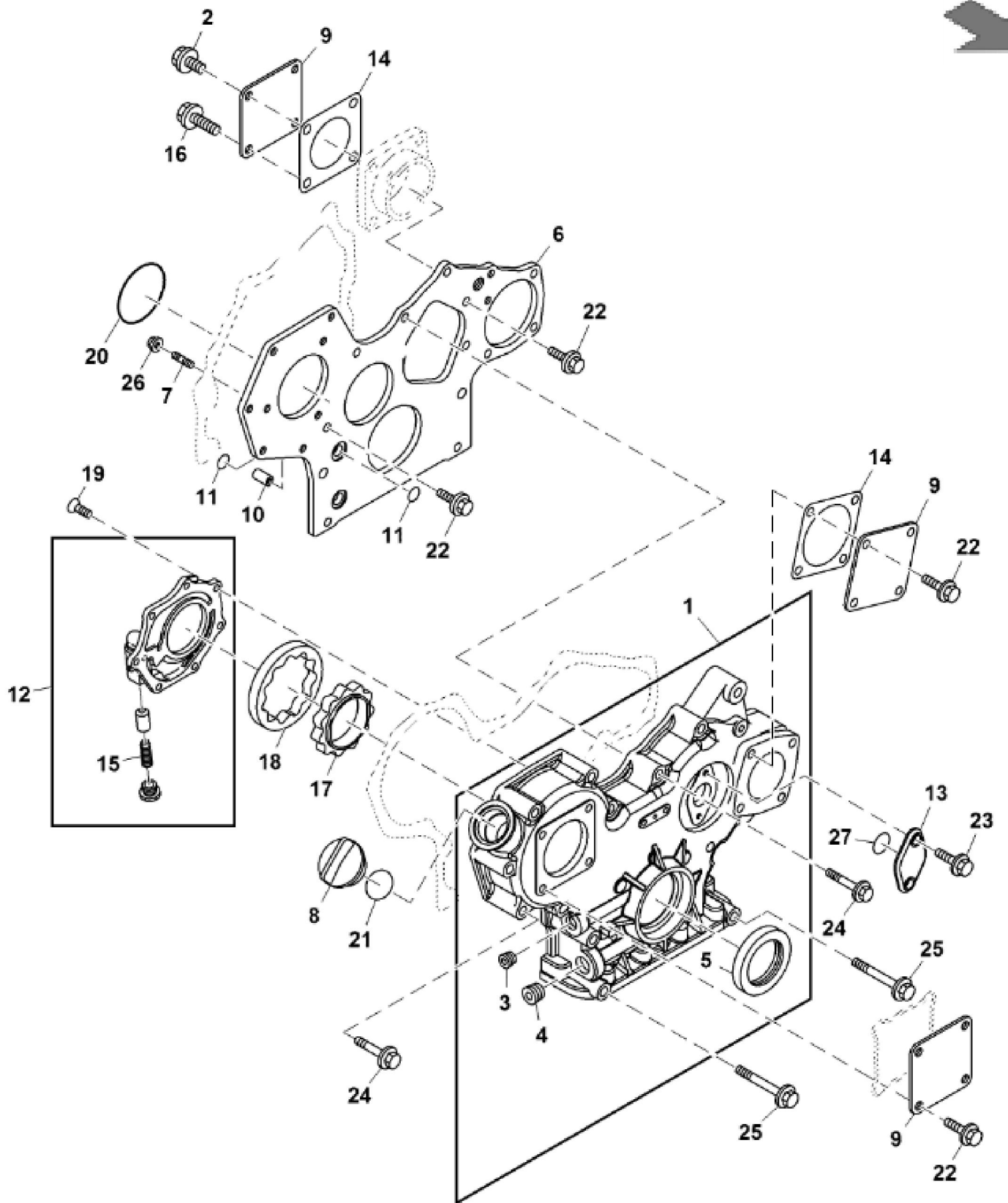
Hello dear friend!

Thank you very much for reading.

Enter the link into your browser.

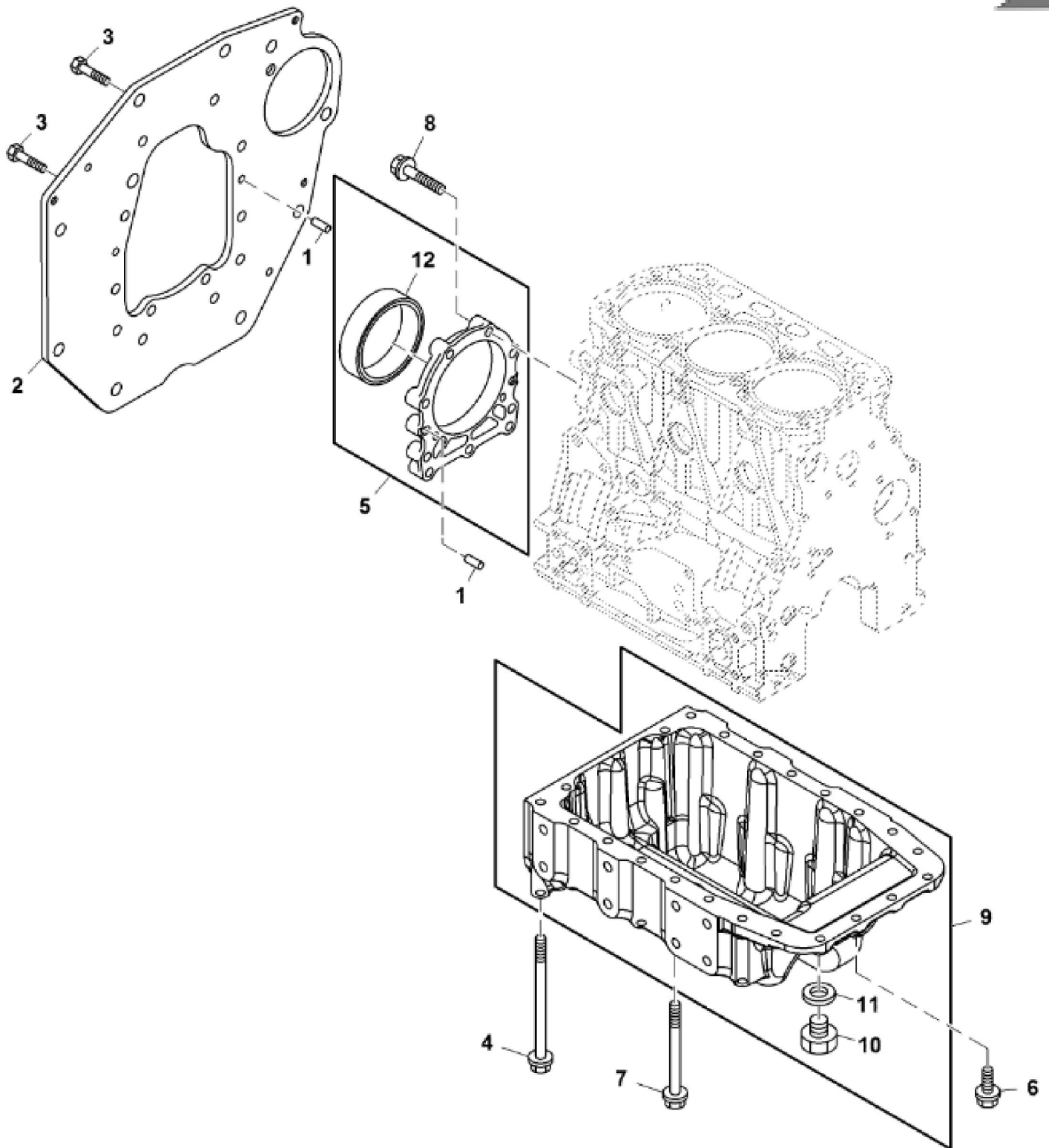
The full manual is available for immediate download.

**<https://www.ebooklibonline.com>**



PY249174

KEY	PART NO.	PART NAME	QTY	REMARKS	
1	MIA883111	GEAR CASE	1		
2	19M7866	SCREW	1	M8 X 20	
3	M806938	PLUG	1		
4	LVU800081	PLUG	1		
5	M811078	SEAL	1		
6	M811312	FLANGE	1		
7	MIU800440	STUD	3		
8	M805710	CAP	1		
9	CH18096	COVER	3		
10	M800974	PIPE	2		
11	M810185	O-RING	4		
12	AM881828	COVER	1		
13	MIU800476	COVER	1		
14	MIU802578	GASKET	2		
15	RG60607	SPRING	1		
16	19M7868	SCREW	3	M8 X 30	
17	M811059	ROTOR	1		
18	M811060	ROTOR	1		
19	M811061	SCREW	7		
20	CH16940	O-RING	1		
21	M805711	PACKING	1		
22	19M7865	SCREW	11	M8 X 16	
23	19M7775	SCREW	2	M6 X 16	
24	19M7979	SCREW	11	M8 X 55	
25	CH19136	BOLT	3		
26	14M7298	FLANGE NUT	3	M8	
27	CH13526	PACKING	1		



PY290252



**Suggest:**

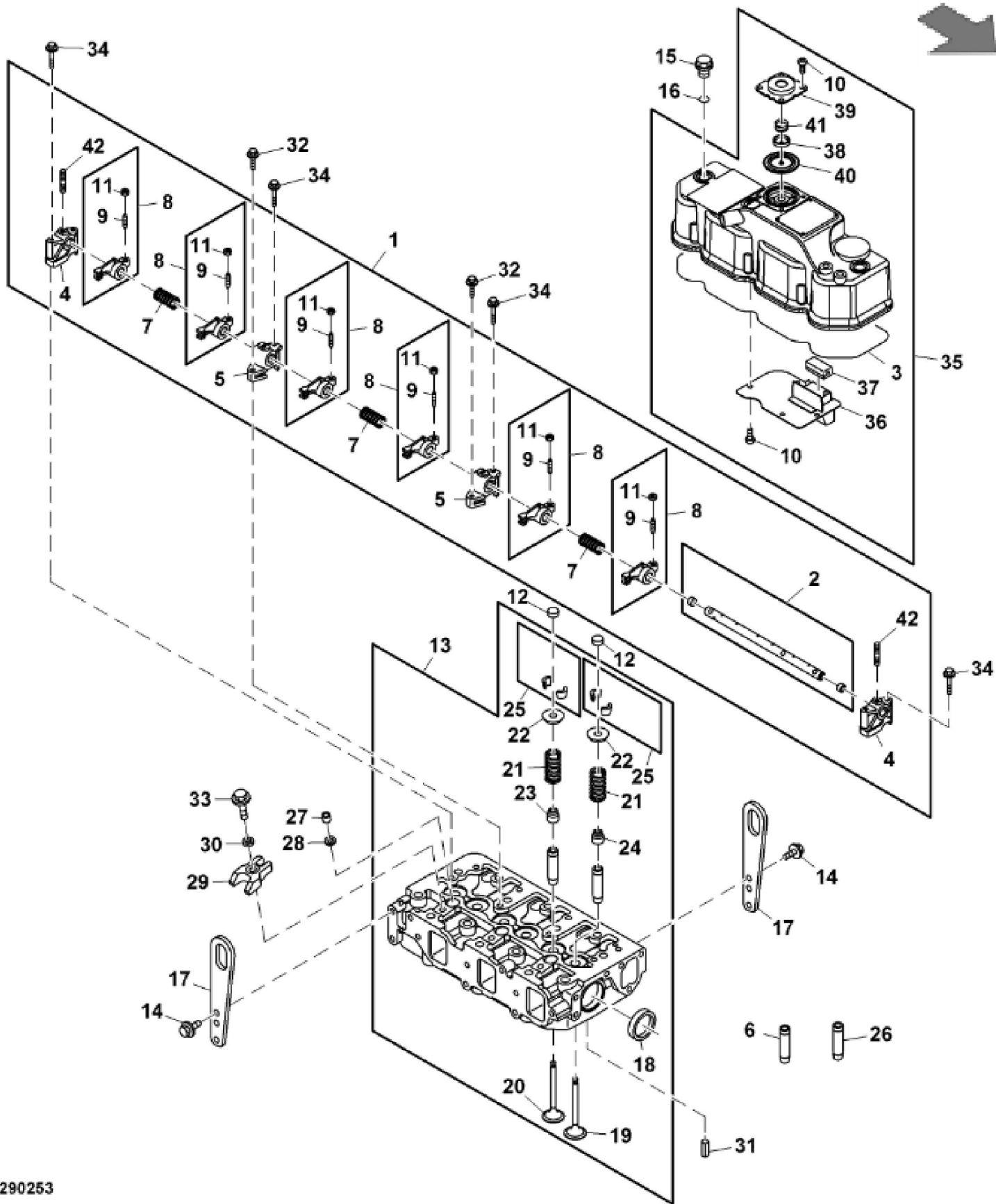
**For more complete manuals. Please go to the home page.**

**<https://www.ebooklibonline.com>**

**If the above button click is invalid. Please download this document first, and then click the above link to download the complete manual.**

**Thank you so much for reading**

KEY	PART NO.	PART NAME	QTY	REMARKS	
1	M802255	PIN	4		
2	MIU804114	FLANGE	1		
3	M800011	BOLT	8		
4	T111562	BOLT	4		
5	MIA881006	CASE	1		
6	CH19085	BOLT	6		
7	CH19136	BOLT	12		
8	M808308	BOLT	9		
9	MIA884099	OIL PAN	1		
10	T111565	PLUG	1		
11	M811568	WASHER	1		
12	MIU800955	SEAL	1		



**<https://www.ebooklibonline.com>**

Hello dear friend!

Thank you very much for reading.

Enter the link into your browser.

The full manual is available for immediate download.

**<https://www.ebooklibonline.com>**