

LV291781

KEY	PART NO.	PART NAME	QTY	REMARKS
1	MIA880878	CYLINDER BLOCK	1	
2	CH10314	PLUG	1	
3	M809565	DRAIN PLUG	1	
4	CH10335	PLUG	3	
5	15H562	PIPE PLUG	1	1"
6	M801189	BOLT	8	
7	MIU800573	BUSHING	1	
8	M87801	PLUG	2	
9	30M7023	PLUG	6	
10	M802255	PIN	4	
11	M800974	PIPE	2	
12	MIA880555	BEARING	2	
12	MIA882809	BEARING KIT	2	(Over Sized(O.S.=0.25)Part)
13	MIU800797	SHAFT	1	
14	CH18079	SPRING PIN	2	
15	M801186	BOLT	14	
16	M806811	ENGINE CYLINDER HEAD GASKET	1	
17	MIA880554	BEARING	4	(Spare Parts)
17	MIA880550	BEARING	4	(Under Sized(U.S.=0.25)Part)
18	19M8317	SCREW	3	M8 X 40
19	MIA13173	DIESEL ENGINE	1	MARKED 3TNV88-BMJTE; SUB FOR MIA12402; Not Illustrated

<https://www.ebooklibonline.com>

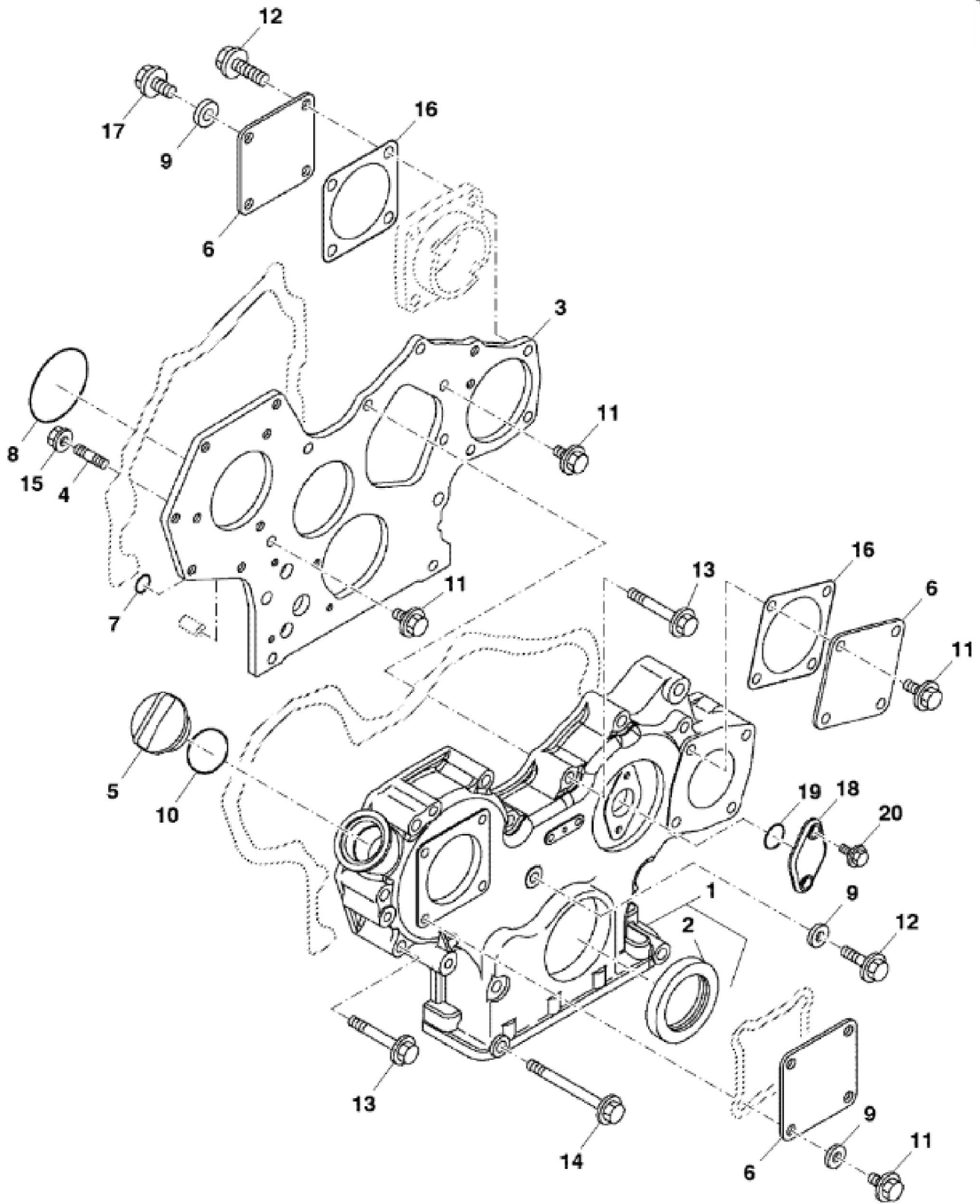
Hello dear friend!

Thank you very much for reading.

Enter the link into your browser.

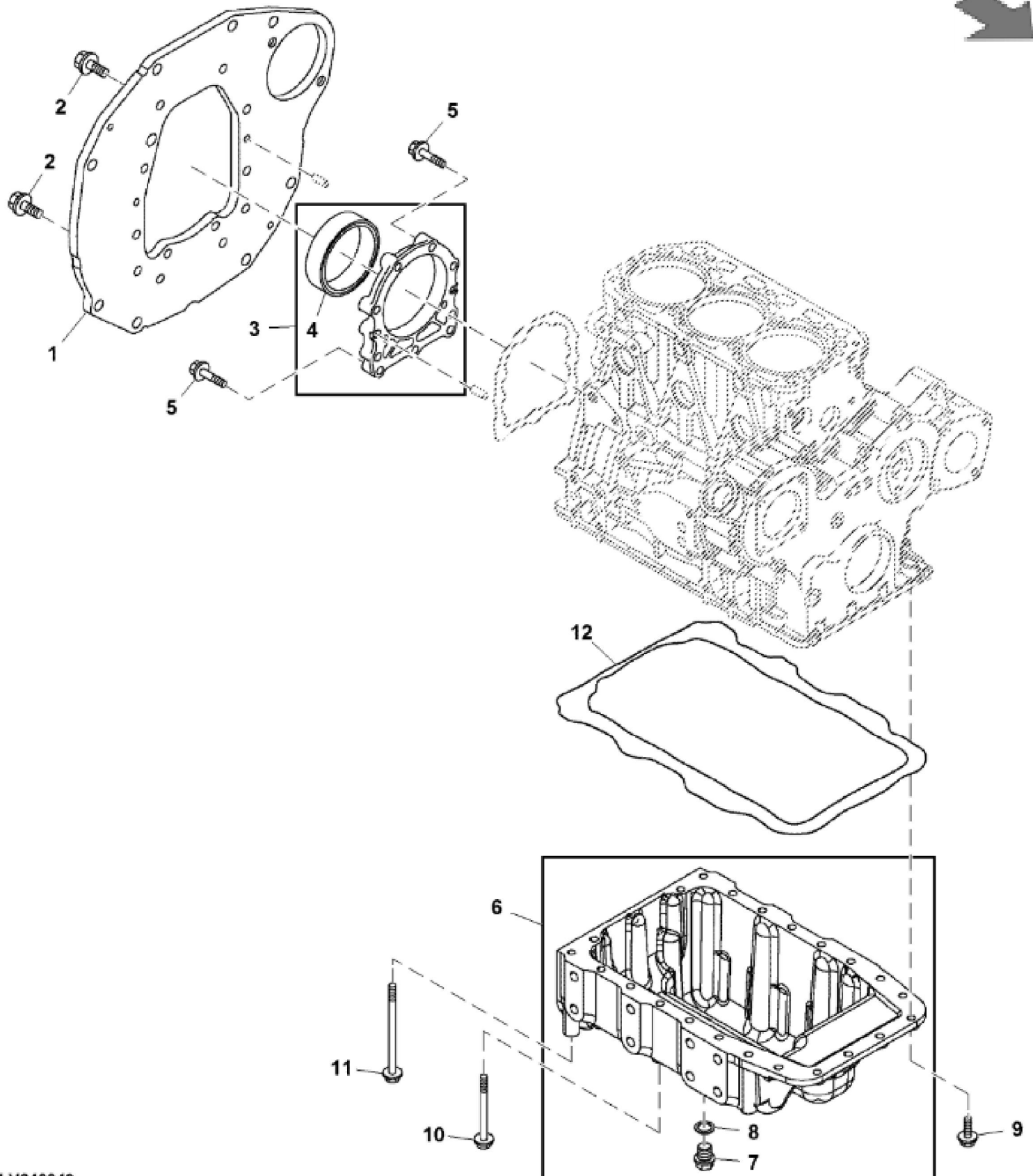
The full manual is available for immediate download.

<https://www.ebooklibonline.com>



PULV104493

KEY	PART NO.	PART NAME	QTY	REMARKS	
1	MIA883012	HOUSING	1		
2	M811078	SEAL	1		
3	MIU800802	GEAR CASE	1		
4	MIU800440	STUD	3		
5	M805710	CAP	1		
6	CH18096	COVER	3		
7	M810185	O-RING	2		
8	CH16940	O-RING	1		
9	M803523	WASHER	6		
10	M805711	PACKING	1		
11	19M7865	SCREW	11	M8 X 16	
12	19M7868	SCREW	4	M8 X 30	
13	19M7979	SCREW	10	M8 X 55	
14	CH19136	BOLT	3		
15	14M7298	FLANGE NUT	3	M8, SUB FOR M810186	
16	MIU802578	GASKET	2		
17	19M7866	SCREW	1	M8 X 20	
18	MIU800476	COVER	1		
19	CH13526	PACKING	1		
20	19M7775	SCREW	2	M6 X 16	



LV248949



Suggest:

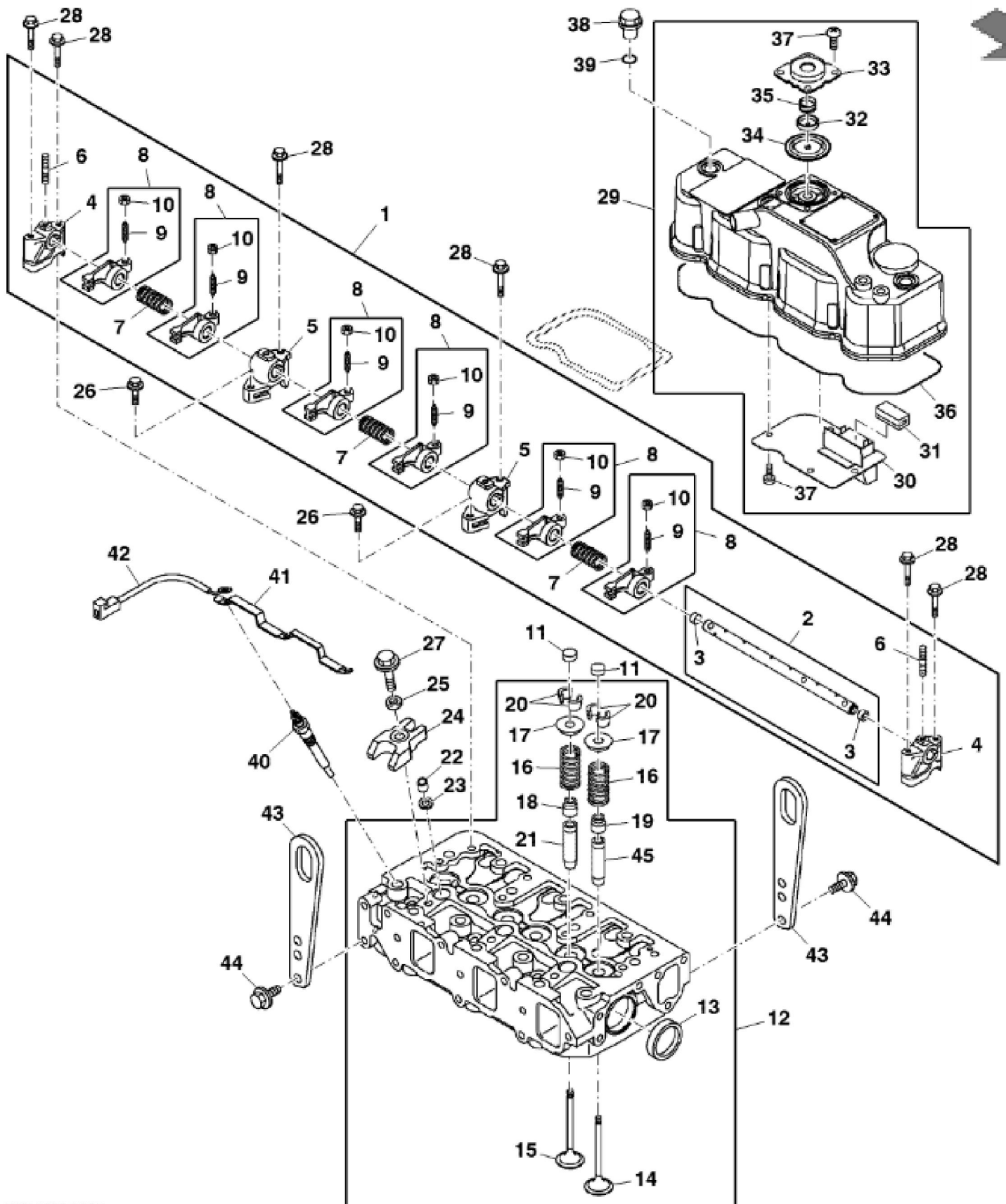
For more complete manuals. Please go to the home page.

<https://www.ebooklibonline.com>

If the above button click is invalid. Please download this document first, and then click the above link to download the complete manual.

Thank you so much for reading

KEY	PART NO.	PART NAME	QTY	REMARKS	
1	M808634	FLANGE	1		
2	M800011	BOLT	8		
3	AM875375	CASE	1		
4	M805278	SEAL	1		
5	M808308	BOLT	9		
6	AM880870	OIL PAN	1		
7	T111565	PLUG	1		
8	M811568	WASHER	1		
9	CH19085	BOLT	6		
10	CH19136	BOLT	12		
11	T111562	BOLT	4		
12	M64850	SEALANT	1		



<https://www.ebooklibonline.com>

Hello dear friend!

Thank you very much for reading.

Enter the link into your browser.

The full manual is available for immediate download.

<https://www.ebooklibonline.com>