

LX010441

KEY	PART NO.	PART NAME	QTY	2700	2800	REMARKS	
1	PE10000999	PISTON REPLACEMENT KIT	1	X	X		

<https://www.ebooklibonline.com>

Hello dear friend!

Thank you very much for reading.

Enter the link into your browser.

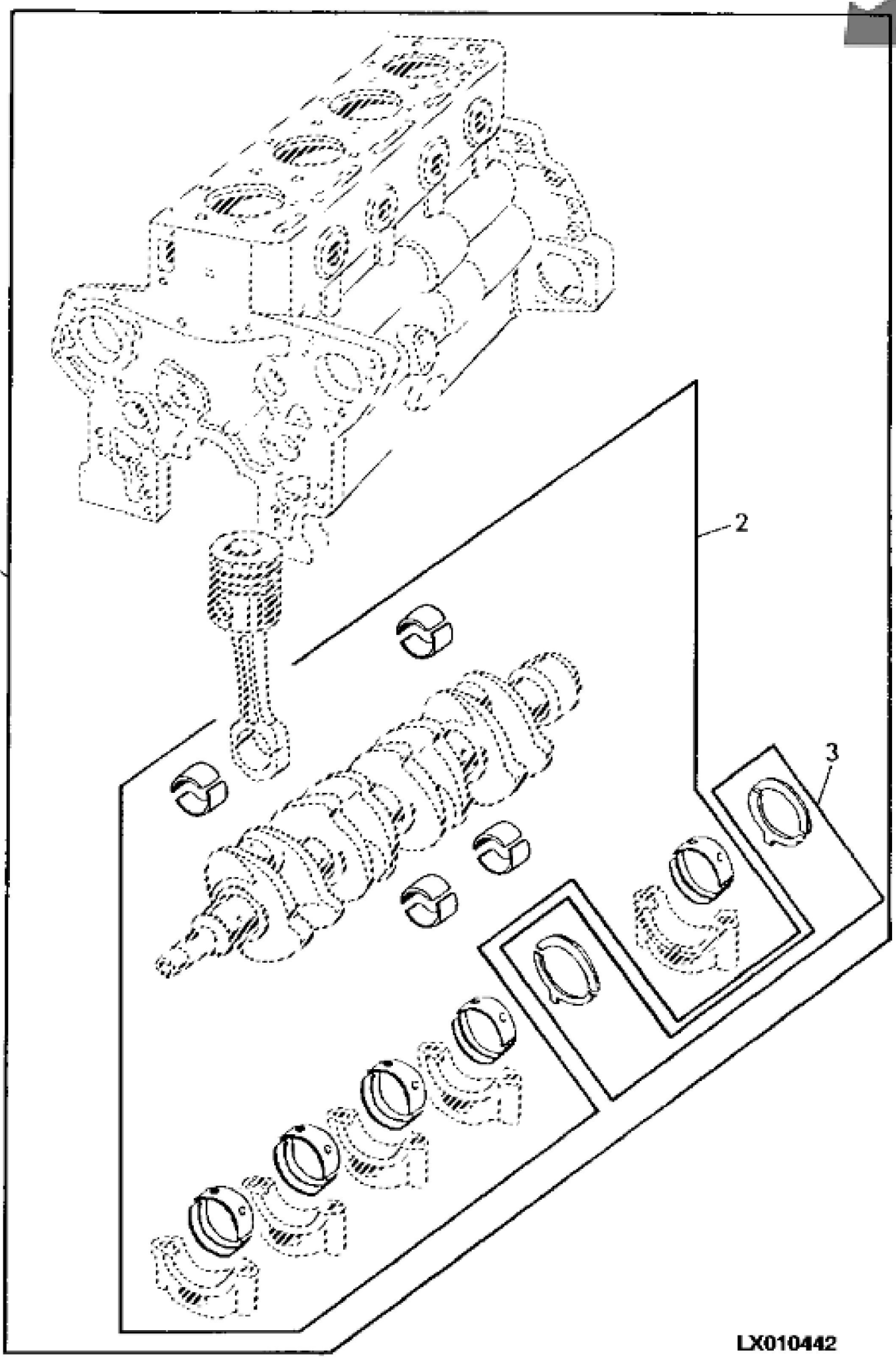
The full manual is available for immediate download.

<https://www.ebooklibonline.com>

1

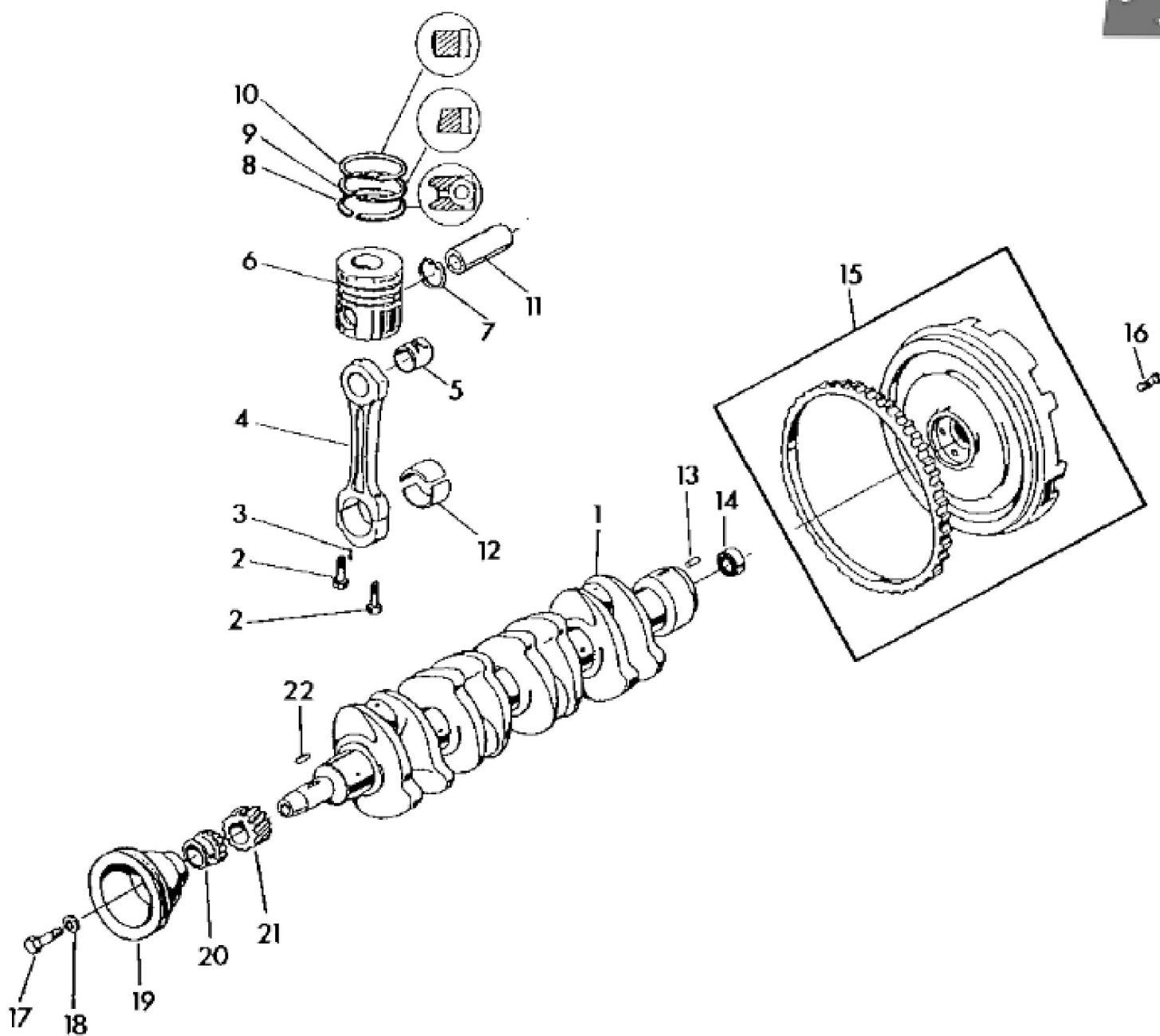
2

3



LX010442

KEY	PART NO.	PART NAME	QTY	2700	2800	REMARKS	
1	PE10000993	BEARING KIT	1	X	X	STANDARD ONLY	
2	PE10000981	BEARING KIT	1	X	X	US 0.25MM	
2	PE10000982	BEARING KIT	1	X	X	US 0.50MM	
2	PE10000983	BEARING KIT	1	X	X	US 0.75MM	
2	PE10000984	BEARING KIT	1	X	X	US 1.00MM	
3	PE10000971	BEARING KIT	1	X	X	US 0.25MM	
3	PE10000972	BEARING KIT	1	X	X	US 0.50MM	



LX012014



Suggest:

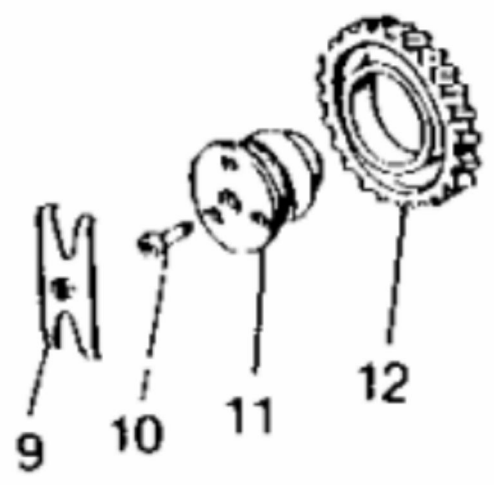
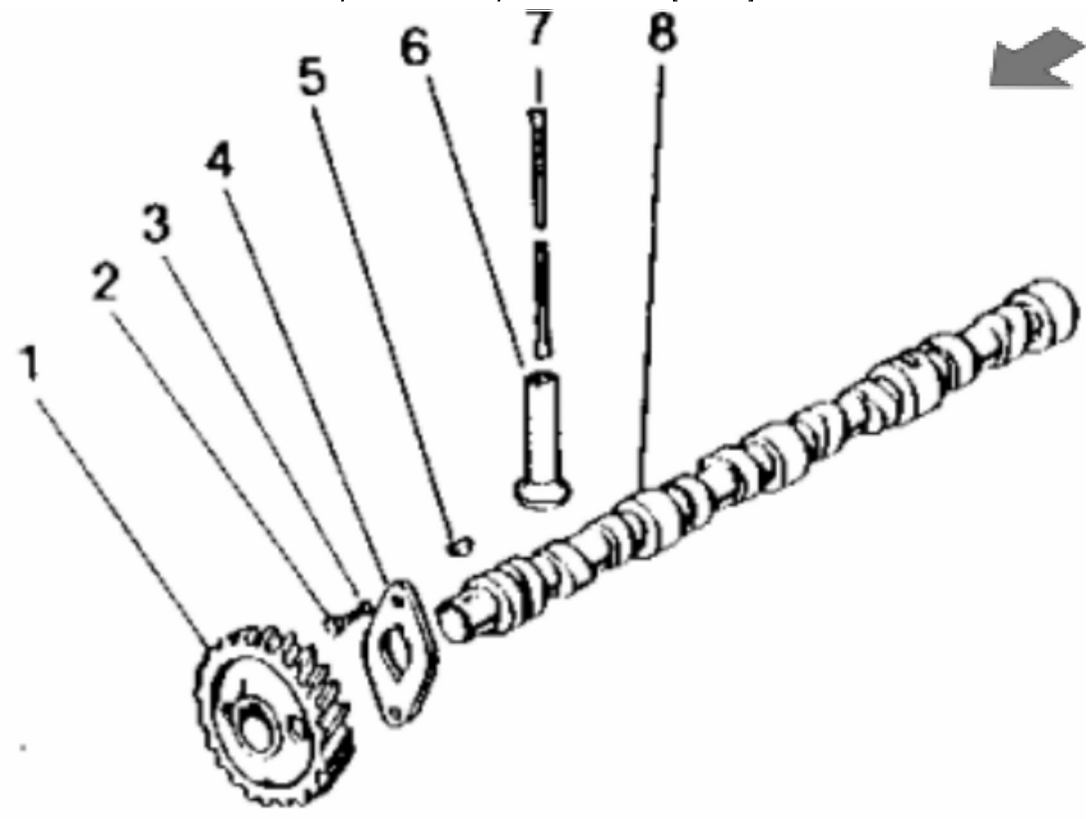
For more complete manuals. Please go to the home page.

<https://www.ebooklibonline.com>

If the above button click is invalid. Please download this document first, and then click the above link to download the complete manual.

Thank you so much for reading

KEY	PART NO.	PART NAME	QTY	2700	2800	REMARKS
1	PE78003001	CRANKSHAFT	1	X	X	
2	PE78003008	BOLT	8	X	X	
3	PE78003013	PIN FASTENER	8	X	X	
4	PE78003009	CONNECTING ROD	4	X	X	INCL. KEYS 2-5
5	PE78003007	BUSHING	4	X	X	
6	PE10003004A	PISTON	4	X	X	MARKED A (ORD W/ PE78002008A)
6	PE10003004B	PISTON	4	X	X	MARKED B (ORD W/ PE78002008B)
6	PE10003004C	PISTON	4	X	X	MARKED C (ORD W/ PE78002008C)
7	PE970291	SNAP RING	8	X	X	
8	PE78003053	PISTON RING	4	X	X	
9	PE78003052	PISTON RING	4	X	X	
10	PE10003051	PISTON RING	4	X	X	
11	PE78003012	PISTON PIN	4	X	X	
12	PE78003011	BEARING	8	X	X	
13	PE996512	PIN FASTENER	1	X	X	
14	PE971104	BEARING	1	X	X	
15	PE78003020	FLYWHEEL	1	X	X	
16	PE78003115	BOLT	6	X	X	(SUB FOR PE78003015)
17	PE78003018	BOLT	1	X	X	
17	PE78135073	BOLT	1	X	X	(A)
18	PE78003017	WASHER	1	X	X	(FOR PE78003016)
19	PE78003016	PULLEY	1	X	X	
19	PE78135024	PULLEY	1	X	X	(A)
20	PE78003003	RING	1	X	X	
21	PE78003002	GEAR	1	X	X	
22	PE997879	SHAFT KEY	1	X	X	
22	PE997889	SHAFT KEY	1	X	X	(A)



Z1P165

<https://www.ebooklibonline.com>

Hello dear friend!

Thank you very much for reading.

Enter the link into your browser.

The full manual is available for immediate download.

<https://www.ebooklibonline.com>