

CD24208A

KEY	PART NO.	PART NAME	QTY	2350	2550	REMARKS
1	RE16815	SHORT BLOCK ASSEMBLY	1	X	X	(ORDER RE526987, (18) R85363) (SUB FOR AR97228, DD11832)
1	RE526987	SHORT BLOCK ASSEMBLY	1	X	X	(SUB FOR RE25575)
2	R46625	SPRING	1	X	X	LGTH= 59MM, (FOR R73139), OR (ORDER RE63673)
2	SPRING	1	X	X	LGTH= 51MM, NSEP, (ORDER RE63674)
3	R73139	FLOW CONTROL HYD. VALVE	1	X	X	LGTH= 49.5MM, (FOR R46625), OR (ORDER RE63673)
3	FLOW CONTROL HYD. VALVE	1	X	X	LGTH= 40.5MM, NSEP, (ORDER RE63674)
4	RE63673	VALVE	1	X	X	(INCLUDES R46625 AND R73139)
4	RE63674	VALVE	1	X	X	KIT

<https://www.ebooklibonline.com>

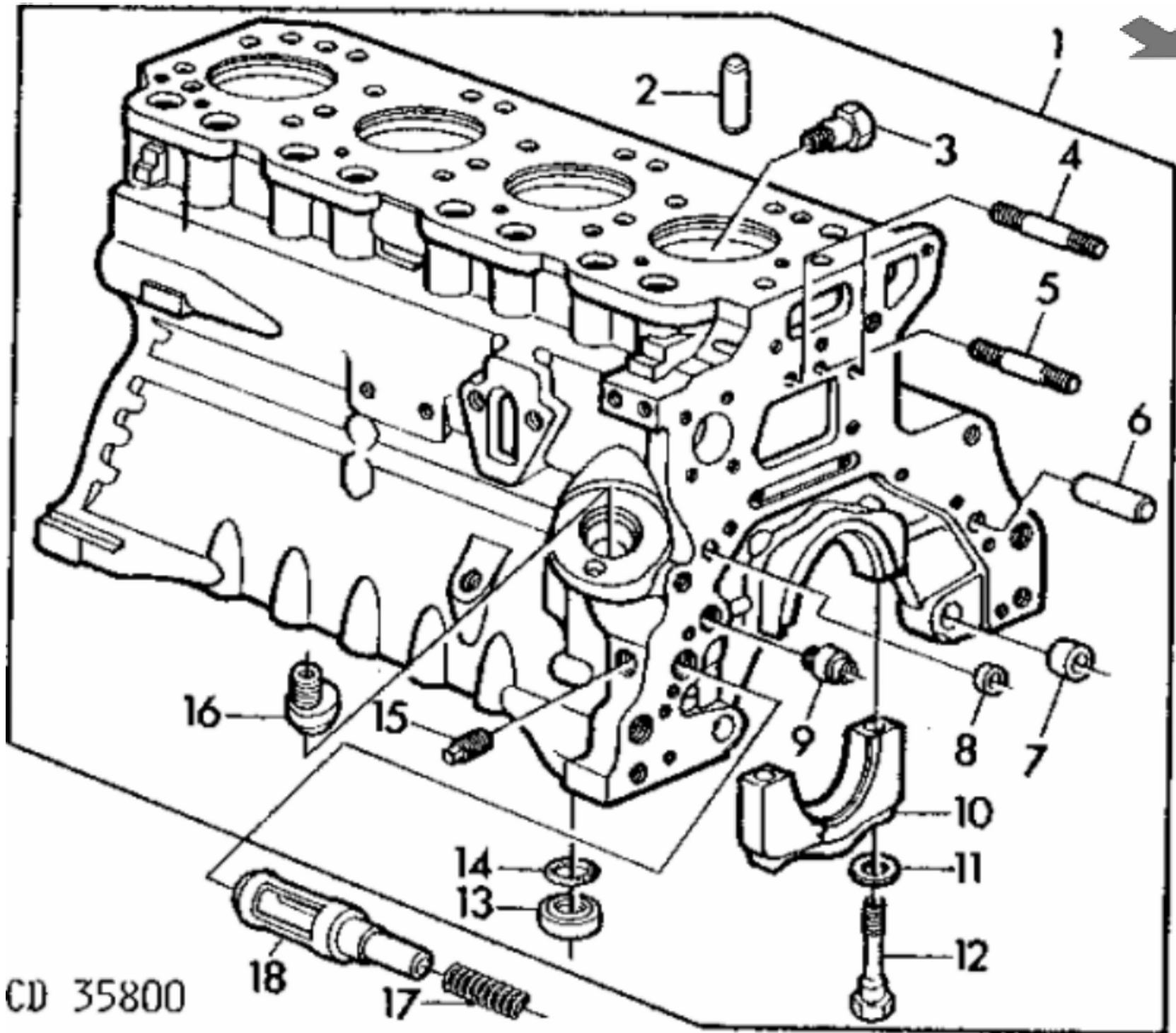
Hello dear friend!

Thank you very much for reading.

Enter the link into your browser.

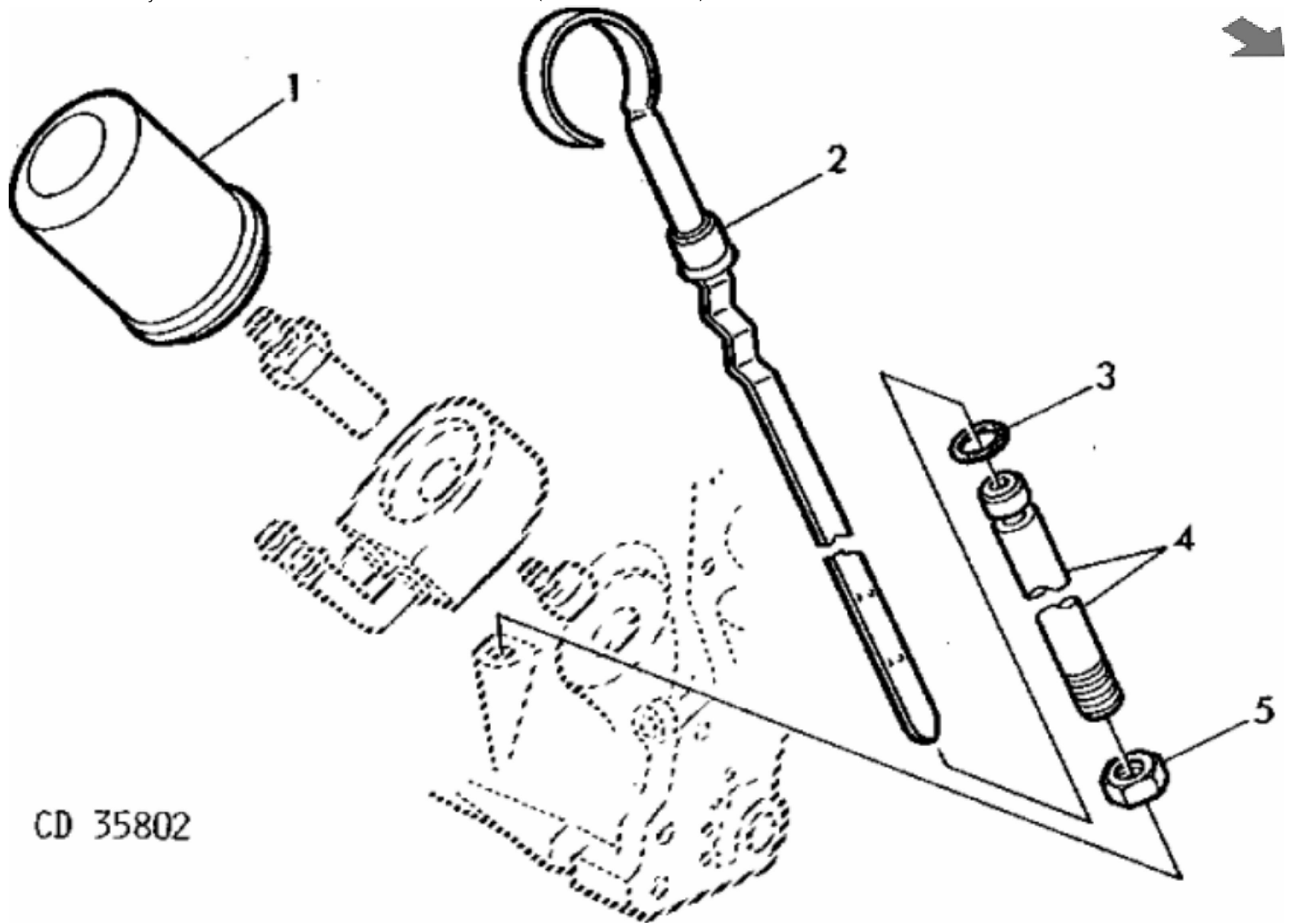
The full manual is available for immediate download.

<https://www.ebooklibonline.com>



CD 35800

KEY	PART NO.	PART NAME	QTY	Engine Serial No.	2350	2550	REMARKS	
1	AR97218	CYLINDER BLOCK	1	____-686937	X	X	(MARKED R72974) (ORDER RE66497, (18) R85363)	
1	RE66497	CYLINDER BLOCK	1	686938-____	X	X	(MARKED R122820) (SUB FOR RE25595)	
2	R48685	DOWEL PIN	2		X	X	(SUB FOR R26241 APPL) (SUB FOR A120R)	
3	R54802	ORIFICE	4		X	X		
4	T33279	STUD	2	____-707591	X	X	3/8"-16UNC X 2.680", (ORDER R84984, 14H774)	
4	R84984	STUD	2	707592-____	X	X	3/8"-24UNF X 2.680"	
5	T25701	STUD	1		X	X	3/8"-16UNC, (ORDER R130883, 14H1076)	
5	R130883	STUD	1		X	X	3/8"-16NC X 3/8"-16UNC, 3/8"-16NC X 3/8"- 24UNF, (USE WITH 14H1076) (SUB FOR R82674 (FOR 14H774))	
6	R26650	DOWEL PIN	2		X	X	(SUB FOR A4879R)	
7	R57160	BUSHING	6		X	X	OD= STANDARD	
7	R91708	BUSHING	AR		X	X	OD= +2MM (0.078")	
8	T18891	PLUG	1		X	X		
9	R26493	BUSHING	1		X	X		
10	R65215	BEARING CAP	4		X	X		
11	T20168	WASHER	8		X	X		
12	T23474	CAP SCREW	8		X	X		
13	R75893	FITTING	1	574190-____	X	X		
14	R75892	O-RING	1	574190-____	X	X		
15	15H255	PIPE PLUG	1		X	X	3/8"	
16	T23435	THREADED NIPPLE	1		X	X		
17	R46625	SPRING	1		X	X	LGTH= 59MM, (FOR R73139), OR (ORDER RE63673)	
17	SPRING	1		X	X	LGTH= 51MM, NSEP (ORDER RE63674)	
18	R73139	FLOW CONTROL HYD. VALVE	1		X	X	LGTH= 49.5MM, (FOR R46625), OR (ORDER RE63673)	
18	FLOW CONTROL HYD. VALVE	1		X	X	LGTH= 40.5MM, NSEP, (ORDER RE63674)	



CD 35802



Suggest:

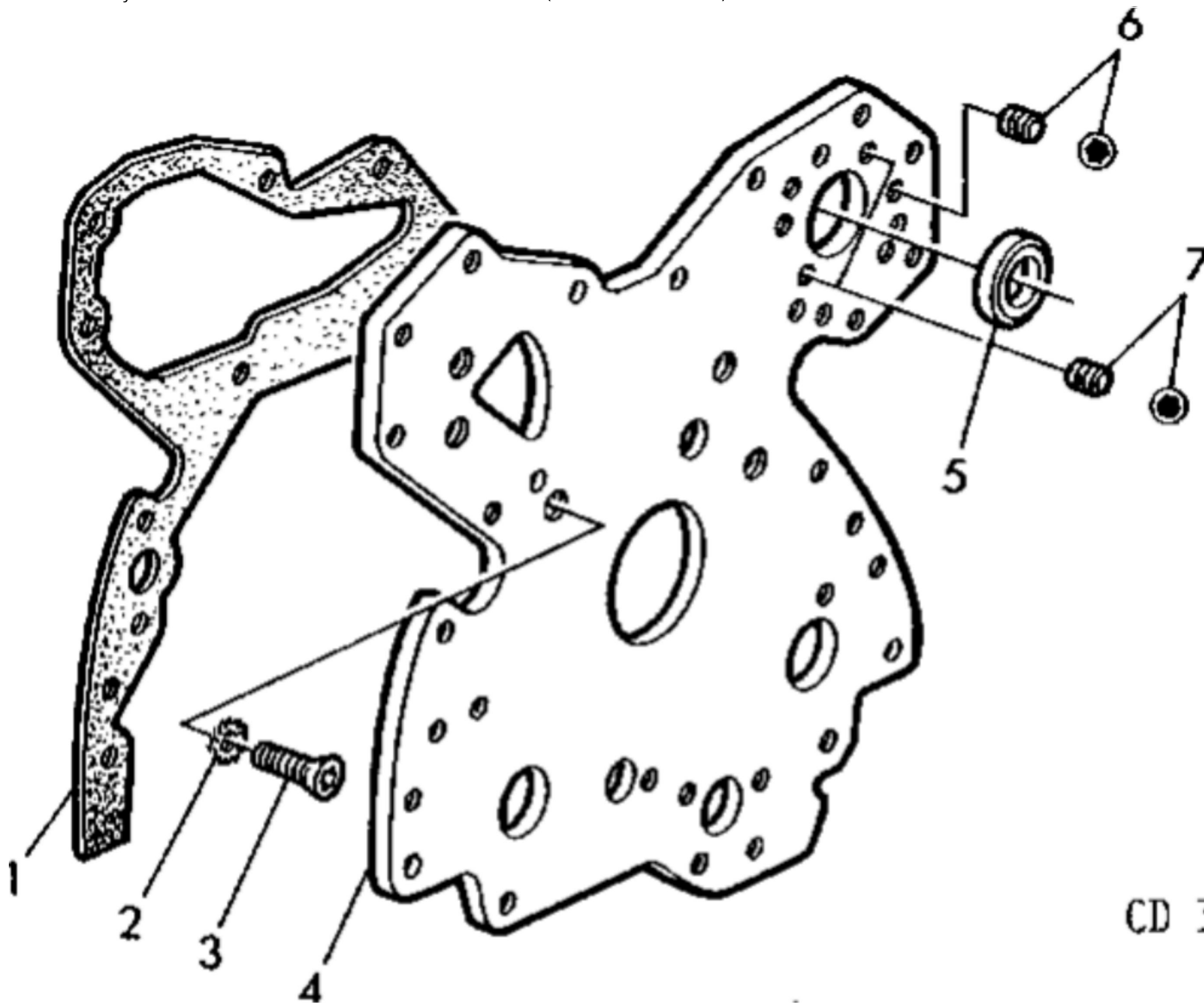
For more complete manuals. Please go to the home page.

<https://www.ebooklibonline.com>

If the above button click is invalid. Please download this document first, and then click the above link to download the complete manual.

Thank you so much for reading

KEY	PART NO.	PART NAME	QTY	2350	2550	REMARKS	
1	T19044	OIL FILTER	1	X	X		
2	AR78192	DIPSTICK	1	X	X	LGTH= 270MM (10.63")	
3	R10093	O-RING	1	X	X		
4	R55299	DIPSTICK TUBE	1	X	X	LGTH= 59MM (2.32")	
5	14H826	NUT	1	X	X	1/2"	



CD 35803

<https://www.ebooklibonline.com>

Hello dear friend!

Thank you very much for reading.

Enter the link into your browser.

The full manual is available for immediate download.

<https://www.ebooklibonline.com>