

L 40152

KEY	PART NO.	PART NAME	QTY	Engine Serial No.	REMARKS
1	15H275	PIPE PLUG	1		1/4"
2	R54802	ORIFICE	3		
3	T33279	STUD	2		
4	T25701	STUD	1		
5	T18891	PLUG	2	____-465252	
5	T18891	PLUG	1	465253-____	
6	T20168	WASHER	8		
7	T23474	CAP SCREW	8		
8	R26493	BUSHING	1		
9	T23435	THREADED NIPPLE	1		
10	R26650	DOWEL PIN	2		(SUB FOR A4879R)
11	15H255	PIPE PLUG	1		3/8"
12	T23670	SHIM	AR		0.076MM (.003") (NO LONGER AVAILABLE)
12	T23671	SHIM	AR		0.051MM (.002") (NO LONGER AVAILABLE)
13	AR82294	BEARING CAP	3		(SUB R65215)
13	AR82295	BEARING CAP	1		REAR, (SUB R79089)
14	R48685	DOWEL PIN	2		(SUB FOR A120R)
15	15H690	PIPE PLUG	1		3/4"
16	R26241	DOWEL PIN	2		
17	AT13740	DRAIN VALVE	1		
18	R65833	SHIM	AR		0.10MM (.004")
18	CD15466	SHIM	AR		0.05MM (.002")
19	R51726	CYLINDER LINER	3		
20	T19044	OIL FILTER	1		
21	AT21534	DIPSTICK	1		
22	R65283	THREADED NIPPLE	1		(SUB RE53241 AND R116411)
23	R10093	O-RING	1		
24	14H826	NUT	1		1/2"
25	AR71618	HYDRAULIC CYLINDER KIT	3		
26	AR67961	CYLINDER BLOCK	1	____-465252	(MARKED R55520) (SUB AR97201, R46625, R73139 AND R90648)
26	AR97201	CYLINDER BLOCK	1	465253-____	(MARKED R72971)
27	24M7106	WASHER	2		10 X 18 X 2.500 MM
28	14H1076	NUT	3		3/8"

<https://www.ebooklibonline.com>

Hello dear friend!

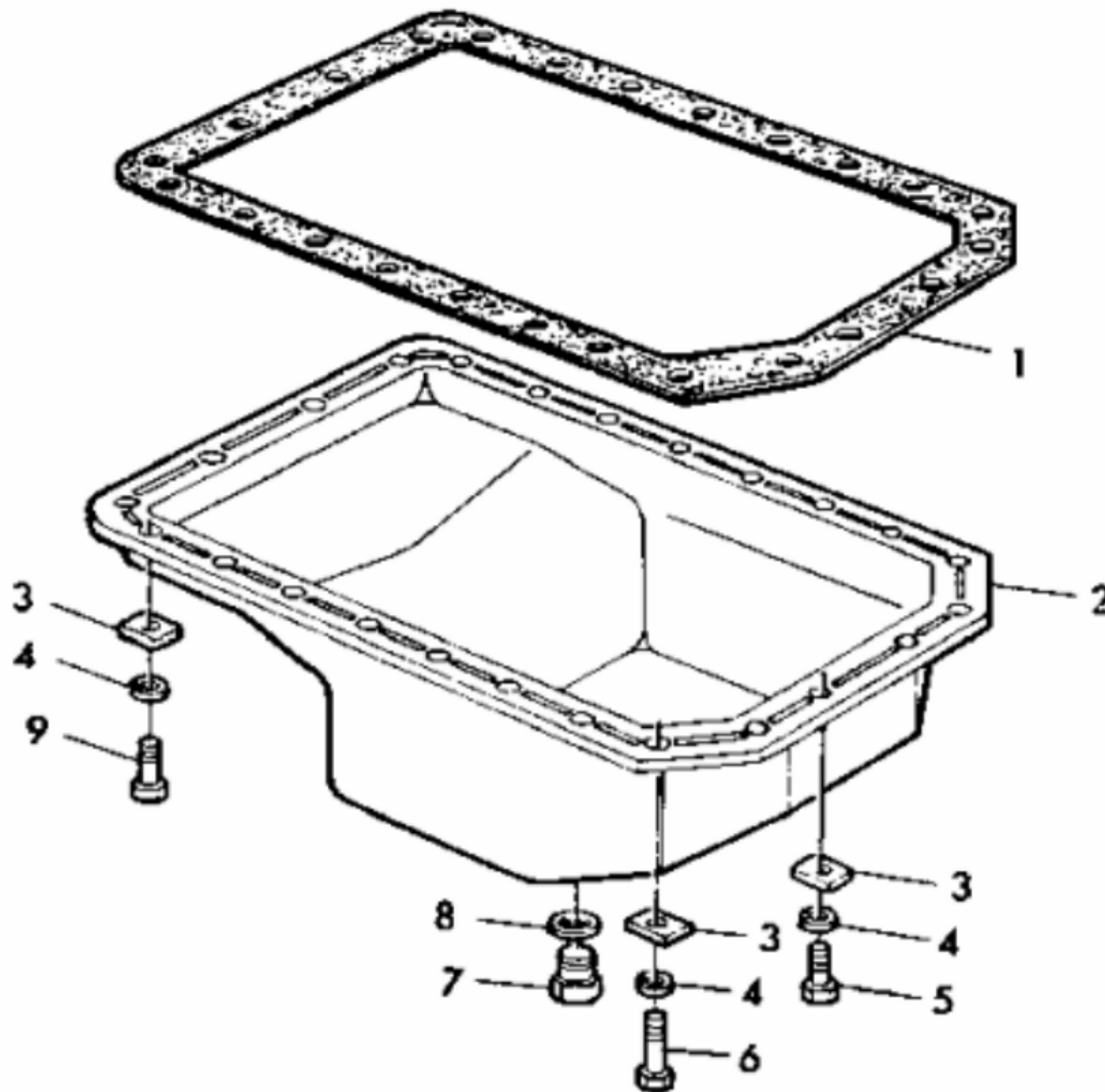
Thank you very much for reading.

Enter the link into your browser.

The full manual is available for immediate download.

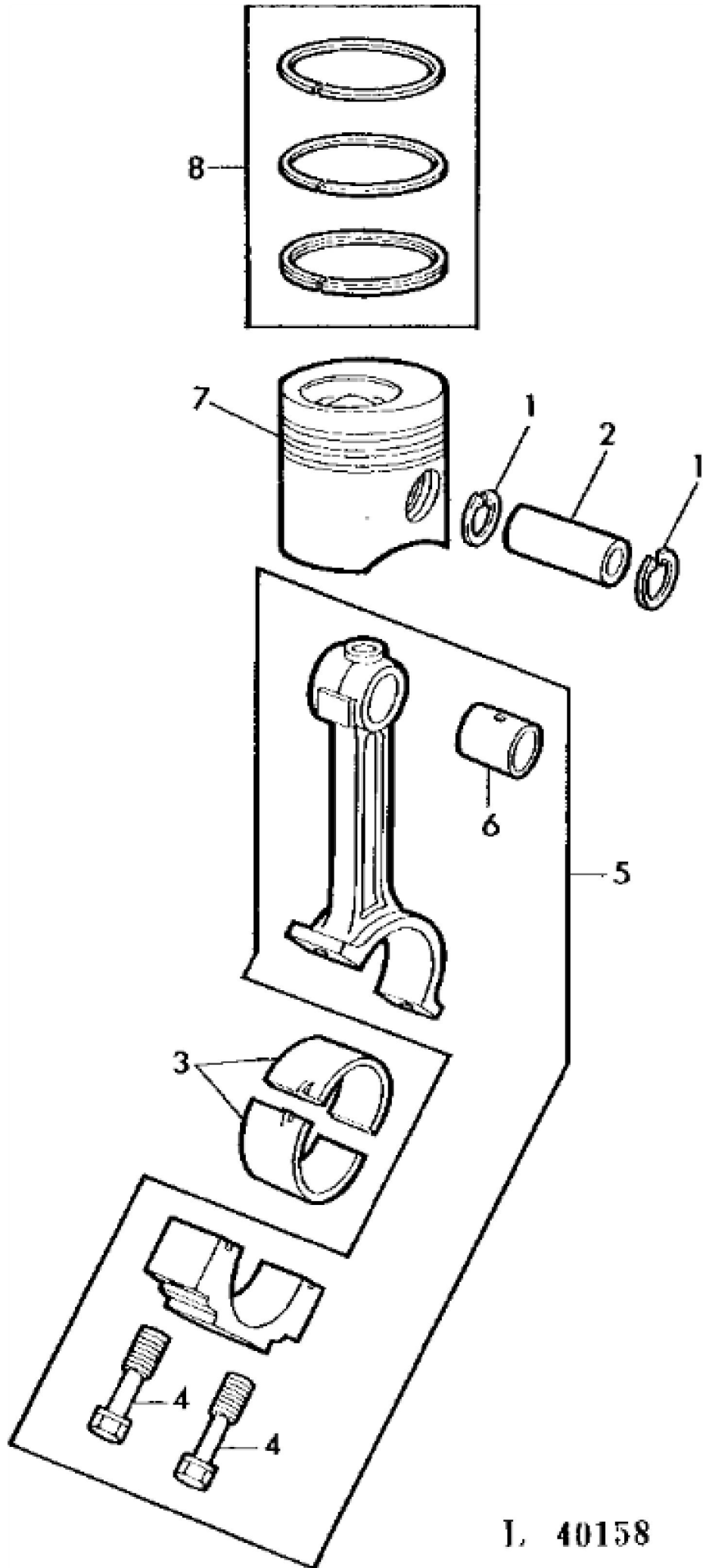
<https://www.ebooklibonline.com>

KEY	PART NO.	PART NAME	QTY	Engine Serial No.	REMARKS
29	12H304	LOCK WASHER	1		3/8"
30	R90648	GASKET	1		(SUB FOR T24965 OR R73140) (SUB R131794)
31	R56736	PLATE	1	____-XXXXXX	(SUB (8) AT21191, (2) AT22919 AND RE16149) (SUB FOR AT29928)
31	RE16149	PLATE	1	XXXXXX-____	(ALSO ORDER (8) AT21191 AND (2) AT22919)
31	AT21191	SET SCREW	8	____-XXXXXX	
31	AT22919	SET SCREW	2	____-XXXXXX	
32	12H324	WASHER	5		3/8"
33	T20166	SCREW	5		
34	R46625	SPRING	1	465253-____	
35	R73139	FLOW CONTROL HYD. VALVE	1	465253-____	



R33965

KEY	PART NO.	PART NAME	QTY	REMARKS	
1	T24534	GASKET	1		
2	AT18180	OIL PAN	1	(ALSO ORDER 15H624 AND 15H649)	
3	T30726	STRAP	24		
4	12H304	LOCK WASHER	24	3/8"	
5	19H2284	CAP SCREW	5	3/8" X 7/8"	
6	19H3219	CAP SCREW	1	3/8" X 1-3/8"	
7	T20098	DRAIN PLUG	1		
8	T13213	WASHER	1		
9	19H1936	CAP SCREW	18	3/8" X 3/4"	



L. 40158



Suggest:

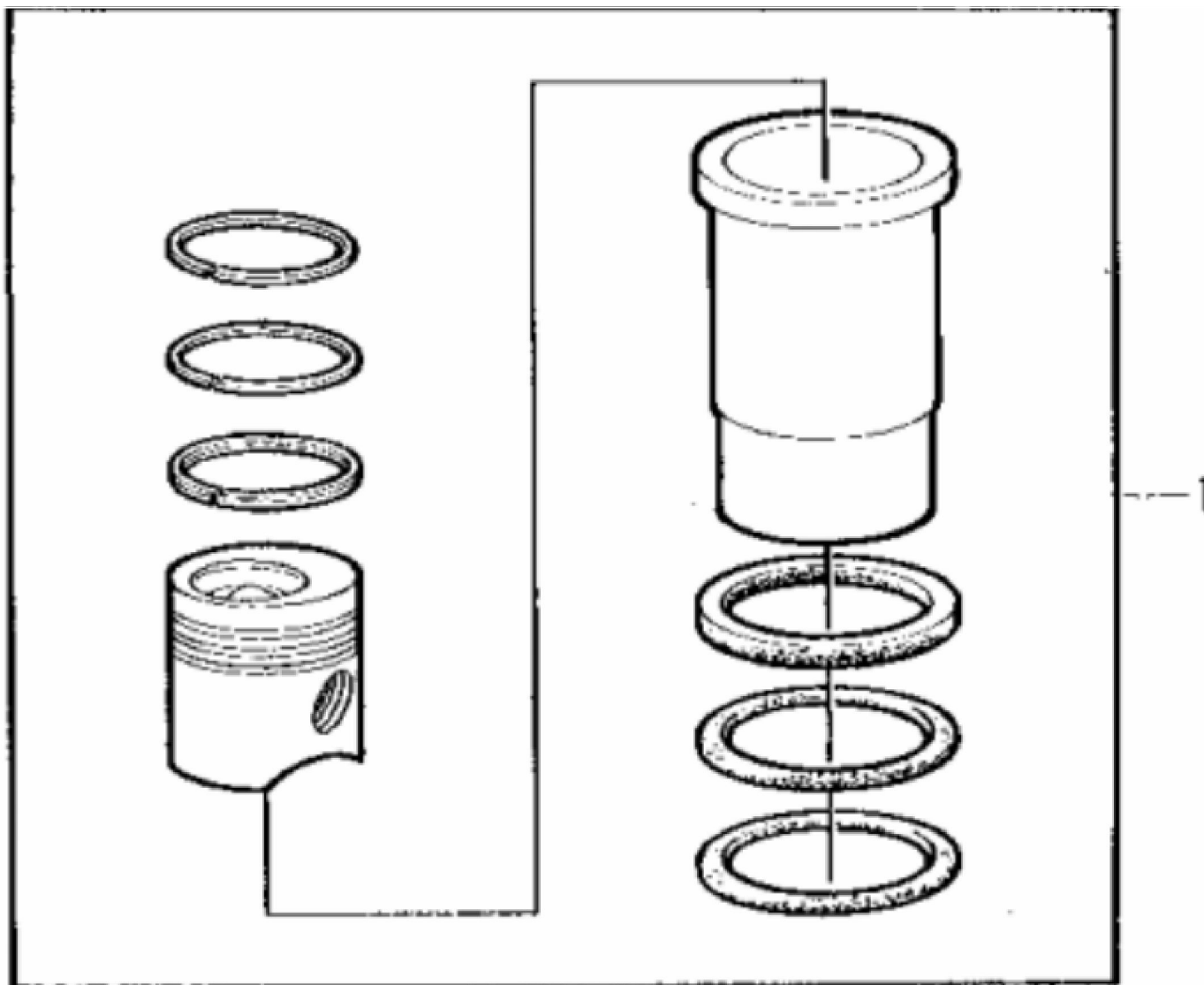
For more complete manuals. Please go to the home page.

<https://www.ebooklibonline.com>

If the above button click is invalid. Please download this document first, and then click the above link to download the complete manual.

Thank you so much for reading

KEY	PART NO.	PART NAME	QTY	REMARKS	
1	M41029	SNAP RING	6	(PKG. OF 6)	
2	R51731	PISTON PIN	3	(SUB R125754)	
3	AT21138	BEARING	3	I.D.=STANDARD	
3	AT21122	BEARING	AR	I.D.=-0.051MM (.002")	
3	AT21124	BEARING	AR	I.D.=-0.254MM (.010")	
3	AT21126	BEARING	AR	I.D.=-0.508MM (.020")	
3	AT21128	BEARING	AR	I.D.=-0.762MM (.030")	
4	T20009	CAP SCREW	6	(SUB R74194) (USE WITH AR55978)	
4	R80033	CAP SCREW	6	(USE WITH RE21076)	
5	AR55978	CONNECTING ROD	3	(SUB RE21076)	
6	R55647	BUSHING	3		
7	AR79868	PISTON	AR	(A) (ORDER RE24458) (ALSO ORDER RE38853)	
7	AR87738	PISTON	AR	(B) (SUB RE38853 AND RE24458) (SUB FOR RE24539)	
8	DD11831	PISTON RING KIT	3	(PKG. OF 3) (SUB RE15674)	



L. 40159

<https://www.ebooklibonline.com>

Hello dear friend!

Thank you very much for reading.

Enter the link into your browser.

The full manual is available for immediate download.

<https://www.ebooklibonline.com>