

KEY	PART NO.	PART NAME	QTY	REMARKS	
1	R495R	O-RING	1		
2	T20074	TUBE	1		
3	R40791	CLAMP	1		
4	24H1685	WASHER	1	11/32" X 47/64" X 0.083"	
5	19H1813	CAP SCREW	1	5/16" X 5/8"	
6	AT18016	VALVE COVER	1		
7	T24151	CLAMP	1		
8	AR45530	SCREW WITH WASHER	6	(SUB AR103811)	
9	T20111	GASKET	1	(SUB AR102261)	
10	A3910R	PLUG	2	(SUB N102039)	
11	AR70583	CYLINDER HEAD	1	(SUB FOR AR70582) (SUB RE56309)	
12	CD13979	VALVE SEAT INSERT	3	(SUB R97778)	
13	R80241	GASKET	1	(STD) (SUB FOR R64151 OR R59447)	
14	T20168	WASHER	14		
15	R53223	CAP SCREW	14		
16	RE51774	SENSOR	1	(WATER TEMPERATURE GAUGE) (SUB FOR AL24527)	

**<https://www.ebooklibonline.com>**

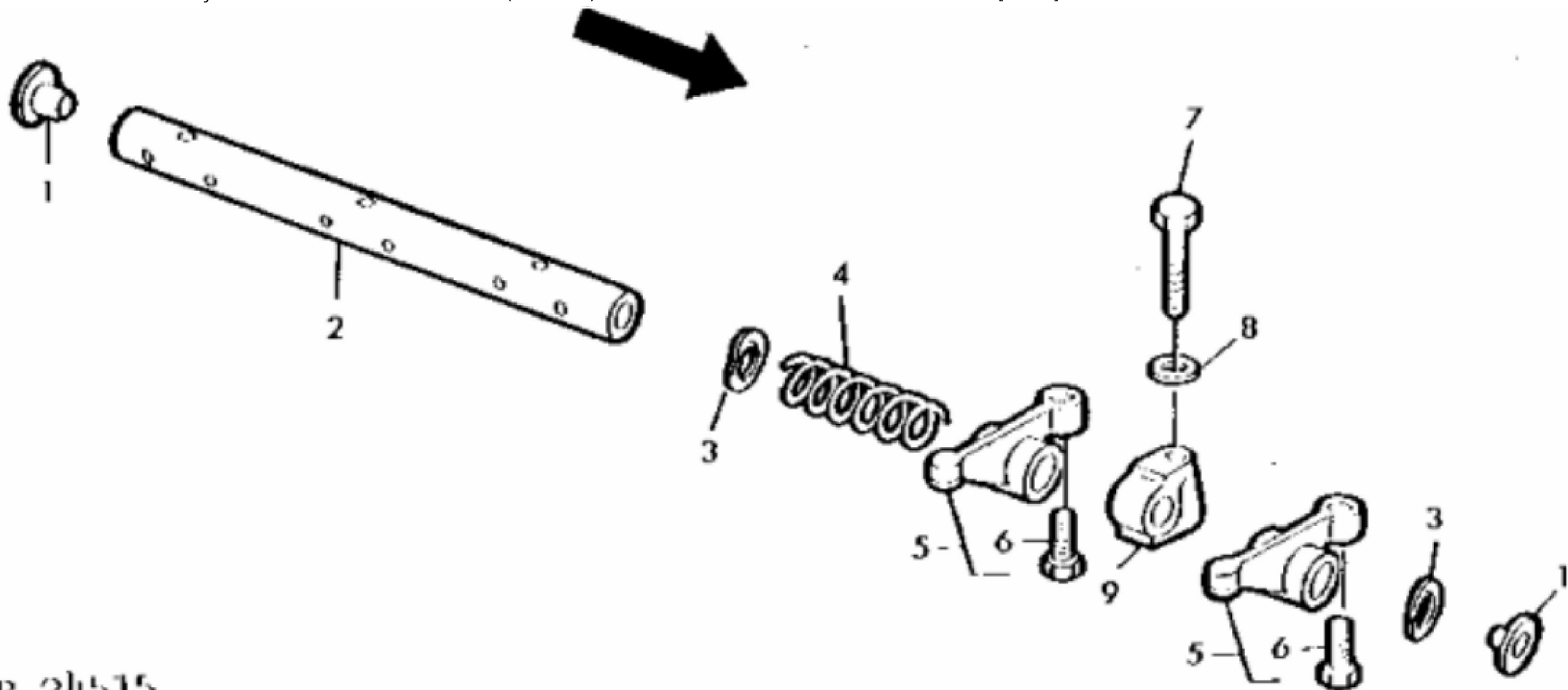
Hello dear friend!

Thank you very much for reading.

Enter the link into your browser.

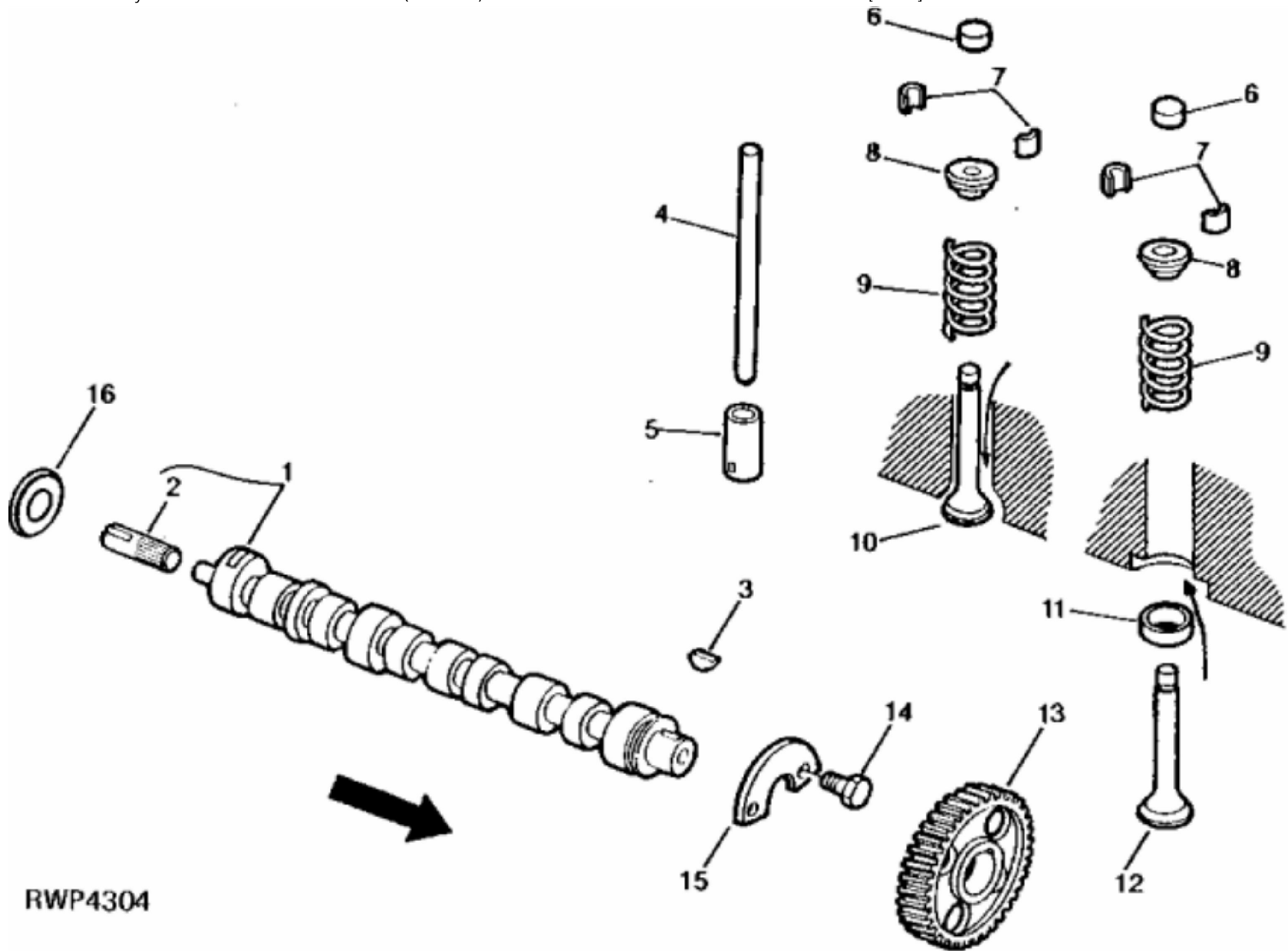
The full manual is available for immediate download.

**<https://www.ebooklibonline.com>**



R 24515

KEY	PART NO.	PART NAME	QTY	REMARKS	
1	R54565	PLUG	2		
2	R54985	ROCKER ARM SHAFT	1	(SUB DD12119)	
3	T20316	WASHER	2		
4	T20314	SPRING	2		
5	RE31973	ROCKER ARM	6	(SUB FOR AT31250, AR103769 OR RE19031)	
6	.....	SCREW	1	(ORDER RE31973)	
7	19H1733	CAP SCREW	3	3/8" X 2-1/2"	
8	24M7106	WASHER	3	10 X 18 X 2.500 MM	
9	T20315	SUPPORT	3		



RWP4304



**Suggest:**

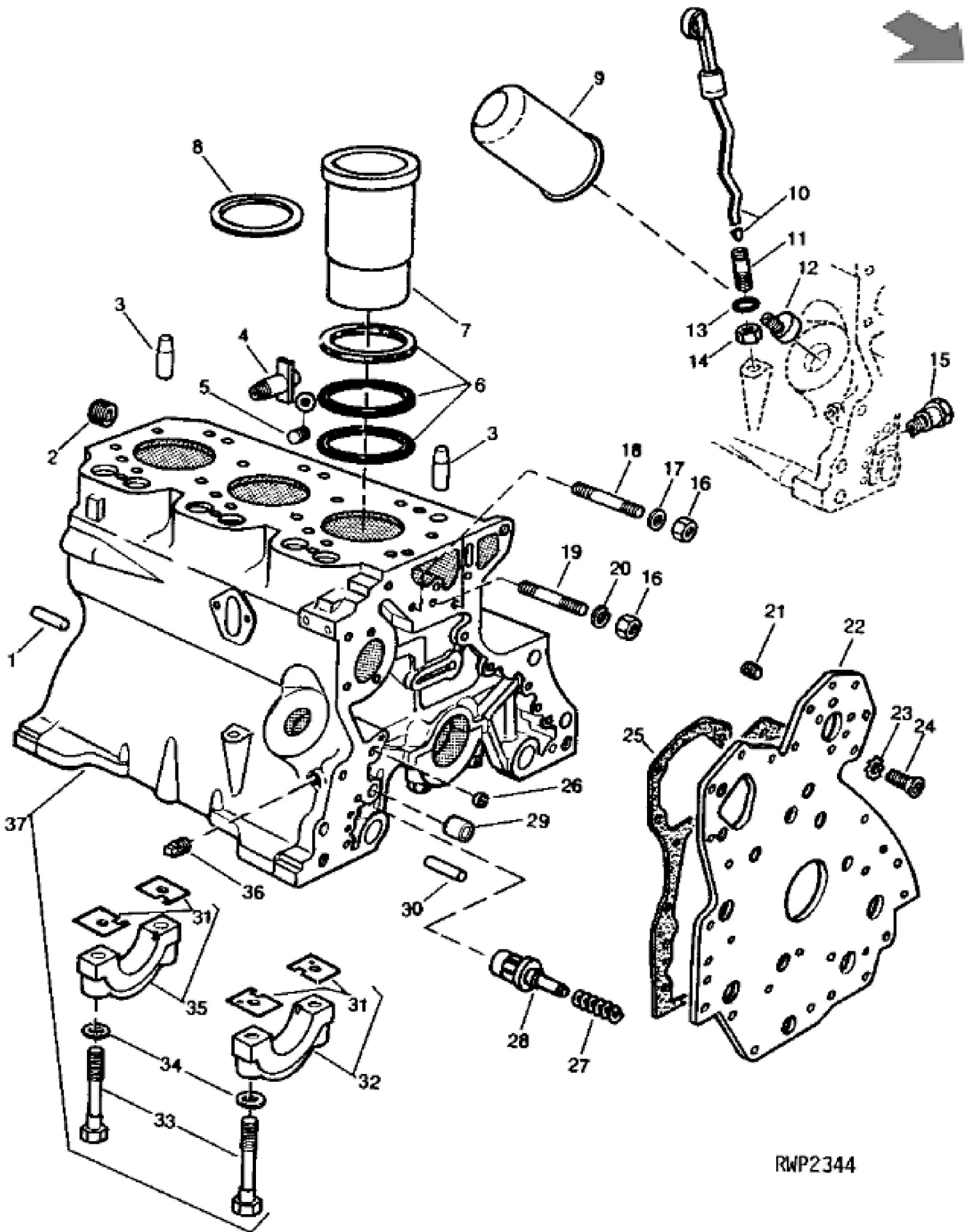
**For more complete manuals. Please go to the home page.**

**<https://www.ebooklibonline.com>**

**If the above button click is invalid. Please download this document first, and then click the above link to download the complete manual.**

**Thank you so much for reading**

KEY	PART NO.	PART NAME	QTY	REMARKS
1	AT18053	CAMSHAFT	1	(SUB FOR AT18055) (SUB R81513 AND R82819)
2	T20071	DRIVE SHAFT	1	
3	T28041	SHAFT KEY	1	
4	T20310	PIN	6	(SUB R82896)
5	T20073	TAPPET	6	
6	T20129	CAP	6	
7	T20077	RETAINER	12	
8	R41412	CAP	6	(SUB FOR T20176)
9	R26125	SPRING	6	
10	R79623	INTAKE VALVE	3	STANDARD, (SUB FOR R52251)
10	R79628	INTAKE VALVE	3	0.08MM (.003") OS STEM, (SUB FOR R57332)
10	R57334	INTAKE VALVE	3	0.38MM (.015") OS STEM, (SUB R79629)
10	R79630	INTAKE VALVE	3	0.76MM (.030") OS STEM, (SUB FOR R57336)
11	CD13979	VALVE SEAT INSERT	3	(SUB R97778)
12	R79624	EXHAUST VALVE	3	(SUB FOR R52252)
12	R79625	EXHAUST VALVE	3	0.08MM (.003") OS STEM, (SUB FOR R57333)
12	R57335	EXHAUST VALVE	3	0.38MM (.015") OS STEM, (SUB R79626)
12	R79627	EXHAUST VALVE	3	0.76MM (.030") OS STEM, (SUB FOR R57337)
13	T20070	HELICAL GEAR	1	
14	19H1669	CAP SCREW	2	7/16" X 1-3/4"
15	T20072	PLATE	1	THRUST
16	T20304	WASHER	1	



RWP2344

**<https://www.ebooklibonline.com>**

Hello dear friend!

Thank you very much for reading.

Enter the link into your browser.

The full manual is available for immediate download.

**<https://www.ebooklibonline.com>**