

LV291768

KEY	PART NO.	PART NAME	QTY	REMARKS	
1	MIA882931	CYLINDER BLOCK	1		
2	M809565	DRAIN PLUG	1		
3	15H562	PIPE PLUG	1	1"	
4	M801189	BOLT	8		
5	MIA880554	BEARING	4	(Spare Parts)	
5	MIA880550	BEARING	4	(Over-Sized (O.S.=0.25) Part)	
6	MIA882831	GASKET KIT	1		
7	MIU800573	BUSHING	1	Camshaft	
8	30M7023	PLUG	6		
9	CH10314	PLUG	1		
10	CH10335	PLUG	3		
11	M87801	PLUG	1		
12	MIA880555	BEARING	2		
12	MIA882809	BEARING KIT	2	(Under-Sized (U.S.=0.25) Part)	
13	M801186	BOLT	14		
14	MIA12709	DIESEL ENGINE	1	MARKED 3TNV88C-NJT2; Not Illustrated	

<https://www.ebooklibonline.com>

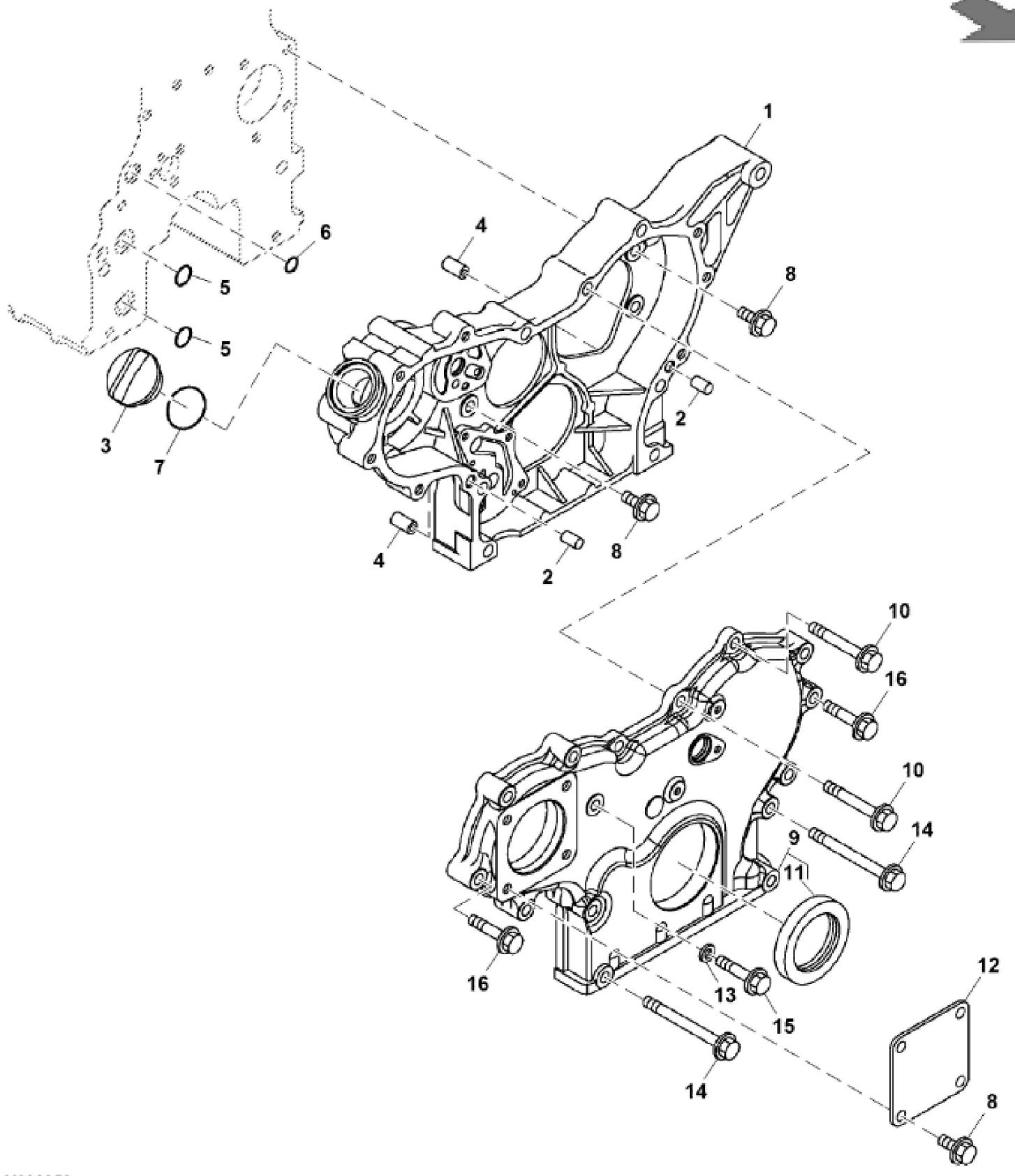
Hello dear friend!

Thank you very much for reading.

Enter the link into your browser.

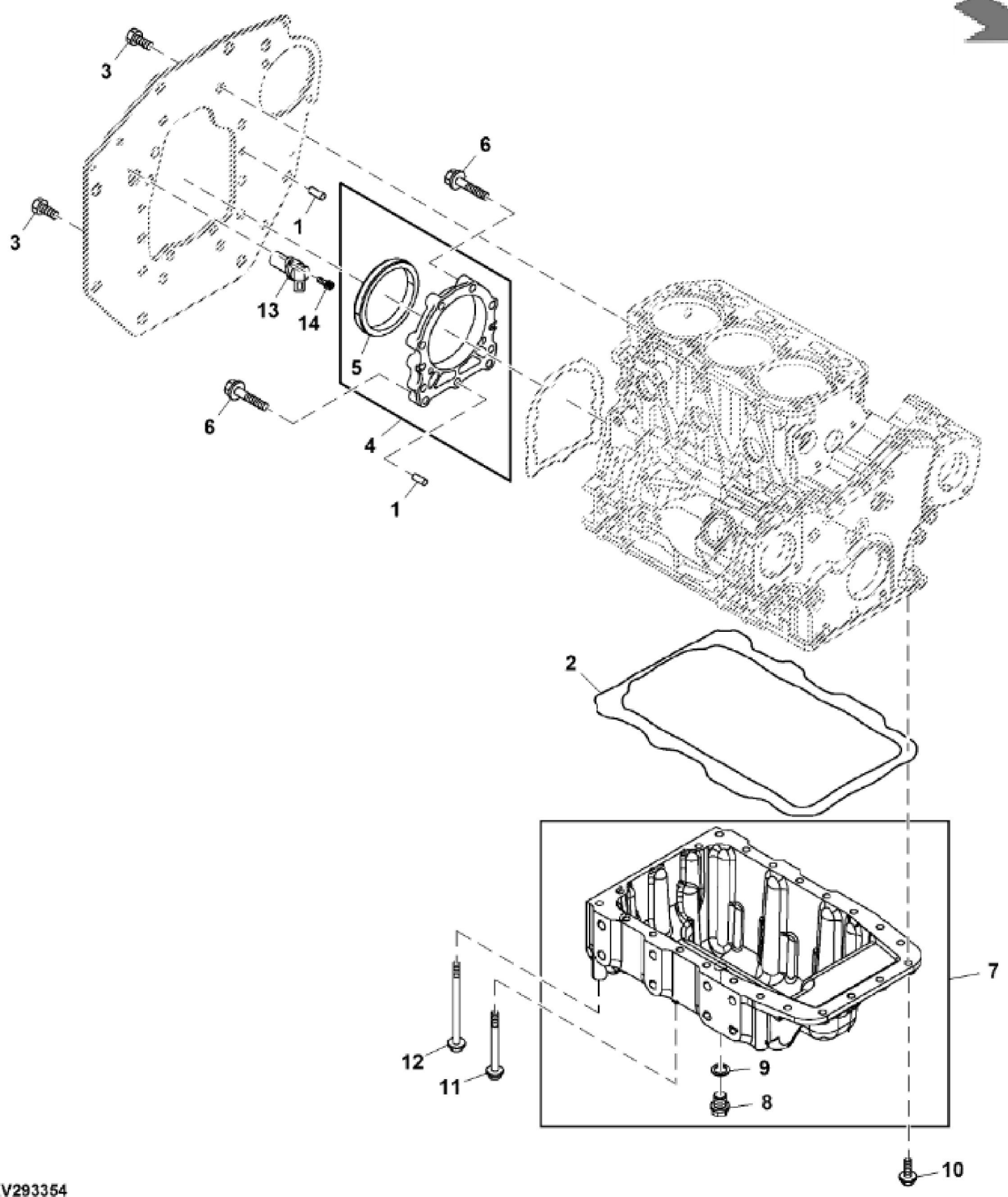
The full manual is available for immediate download.

<https://www.ebooklibonline.com>



LV293353

KEY	PART NO.	PART NAME	QTY	REMARKS	
1	MIU803102	GEAR CASE	1		
2	M802255	PIN	2		
3	M805710	CAP	1		
4	M800974	PIPE	2		
5	M810185	O-RING	2		
6	M809204	O-RING	1		
7	M805711	PACKING	1		
8	19M7865	SCREW	7	M8 X 16	
9	MIA881991	COVER	1		
10	19M7801	SCREW	3	M8 X 60	
11	M811078	SEAL	1		
12	CH18096	COVER	1		
13	M803523	WASHER	1		
14	CH19136	BOLT	4		
15	19M7979	SCREW	1	M8 X 55	
16	19M8317	SCREW	7	M8 X 40	



LV293354



Suggest:

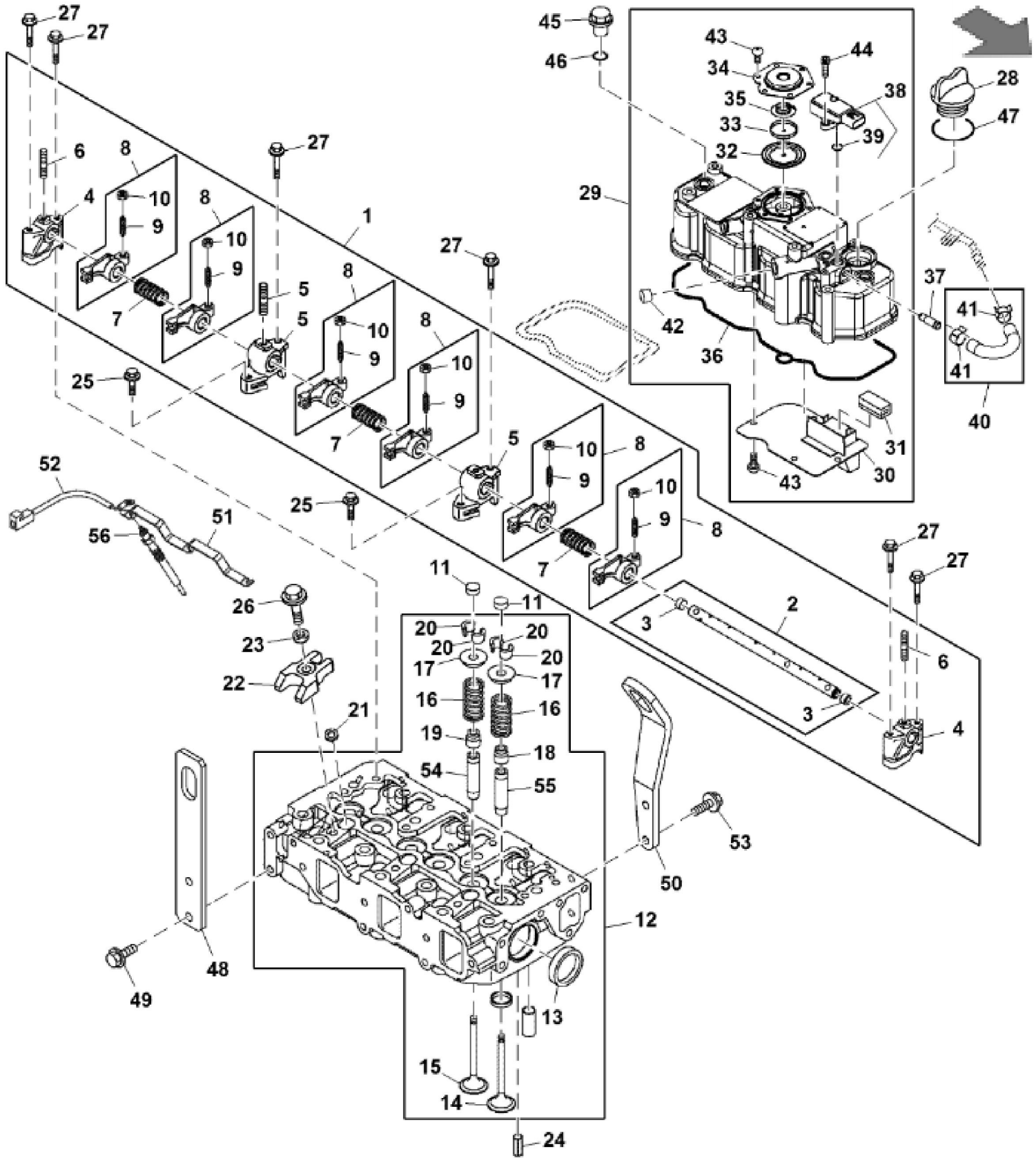
For more complete manuals. Please go to the home page.

<https://www.ebooklibonline.com>

If the above button click is invalid. Please download this document first, and then click the above link to download the complete manual.

Thank you so much for reading

KEY	PART NO.	PART NAME	QTY	REMARKS	
1	M802255	PIN	4		
2	M64850	SEALANT	1		
3	M800011	BOLT	8		
4	AM875375	CASE	1	Oil Seal	
5	M805278	SEAL	1		
6	M808308	BOLT	9		
7	AM880870	OIL PAN	1		
8	T111565	PLUG	1	Drain	
9	M811568	WASHER	1		
10	CH19085	BOLT	6		
11	CH19136	BOLT	12		
12	T111562	BOLT	4		
13	MIU802138	SENSOR	1		
14	19M8553	SCREW	1	M6 X 16	



<https://www.ebooklibonline.com>

Hello dear friend!

Thank you very much for reading.

Enter the link into your browser.

The full manual is available for immediate download.

<https://www.ebooklibonline.com>