

PULV103601

John Deere > Turf And Utility >TRACTOR, COMPACT UTILITY >3TNV88 - TRACTOR, COMPACT UTILITY >2032R Compact Utility Tractor (Worldwide Edition) >20 ENGINE >ST749075 - CYLINDER BLOCK AND MAIN BEARINGS

KEY	PART NO.	PART NAME	QTY	REMARKS
1	M801186	BOLT	14	
2	M806811	ENGINE CYLINDER HEAD GASKET	1	
3	MIA880878	CYLINDER BLOCK	1	
4	MIU800573	BUSHING	1	Camshaft
5	MIU800797	SHAFT	1	Idle Gear
6	M87801	PLUG	2	
7	M800974	PIPE	2	Knock, L=18 forGearcase
8	MIA880554	BEARING	4	Main (STD)
8	MIA882809	BEARING KIT	1	
9	M801189	BOLT	8	
10	MIA880555	THRUST WASHER	2	Bearing Assembly
10	MIA880550	BEARING	4	
11	CH10335	PLUG	3	
12	CH10314	PLUG	1	
13	M802255	PIN	4	
14	CH18079	SPRING PIN	2	
15	M809565	DRAIN PLUG	1	
16	MIA882690	SHORT BLOCK ASSEMBLY	1	MARKED 3TNV88-BNJK1; Not Illustrated

<https://www.ebooklibonline.com>

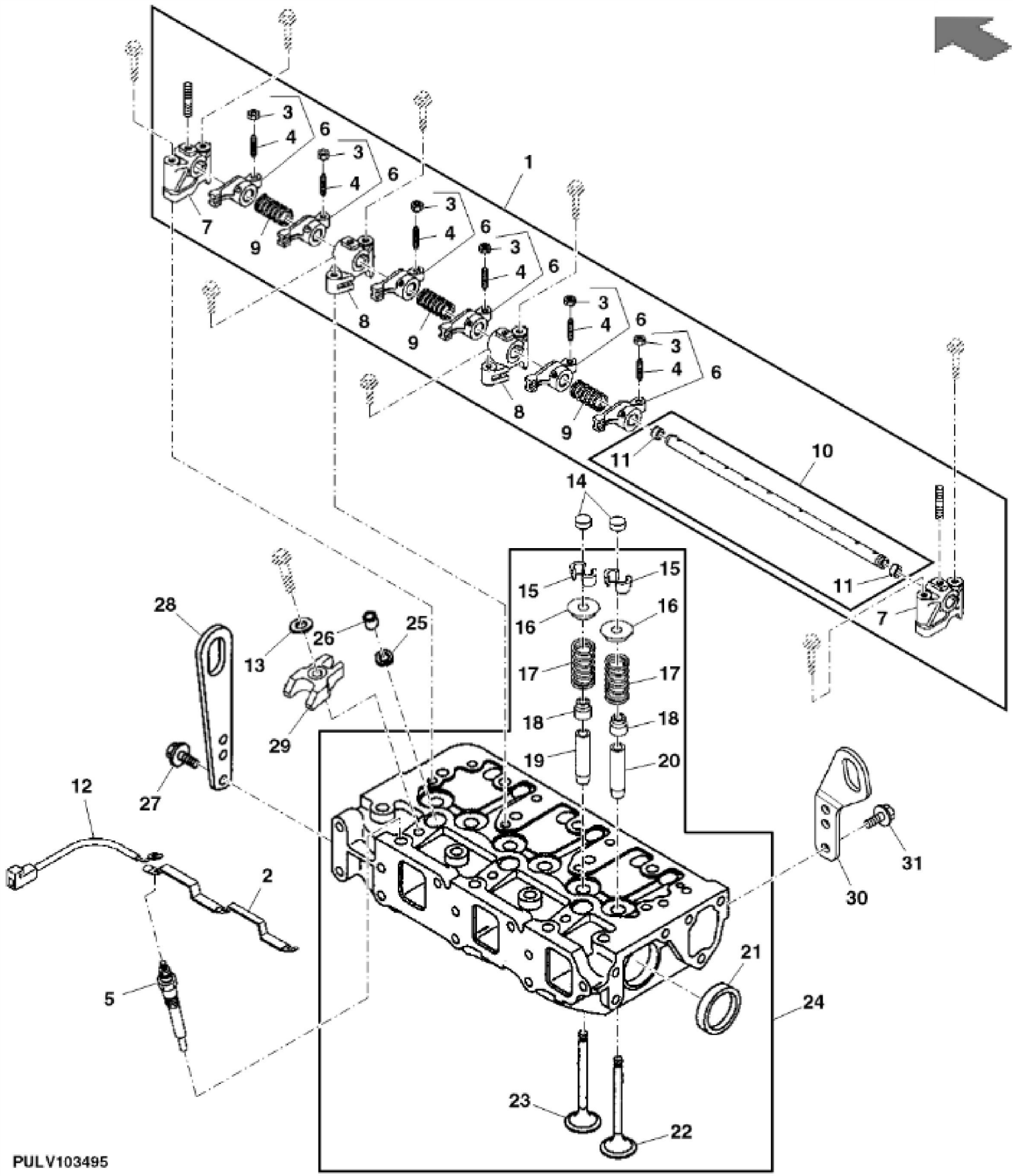
Hello dear friend!

Thank you very much for reading.

Enter the link into your browser.

The full manual is available for immediate download.

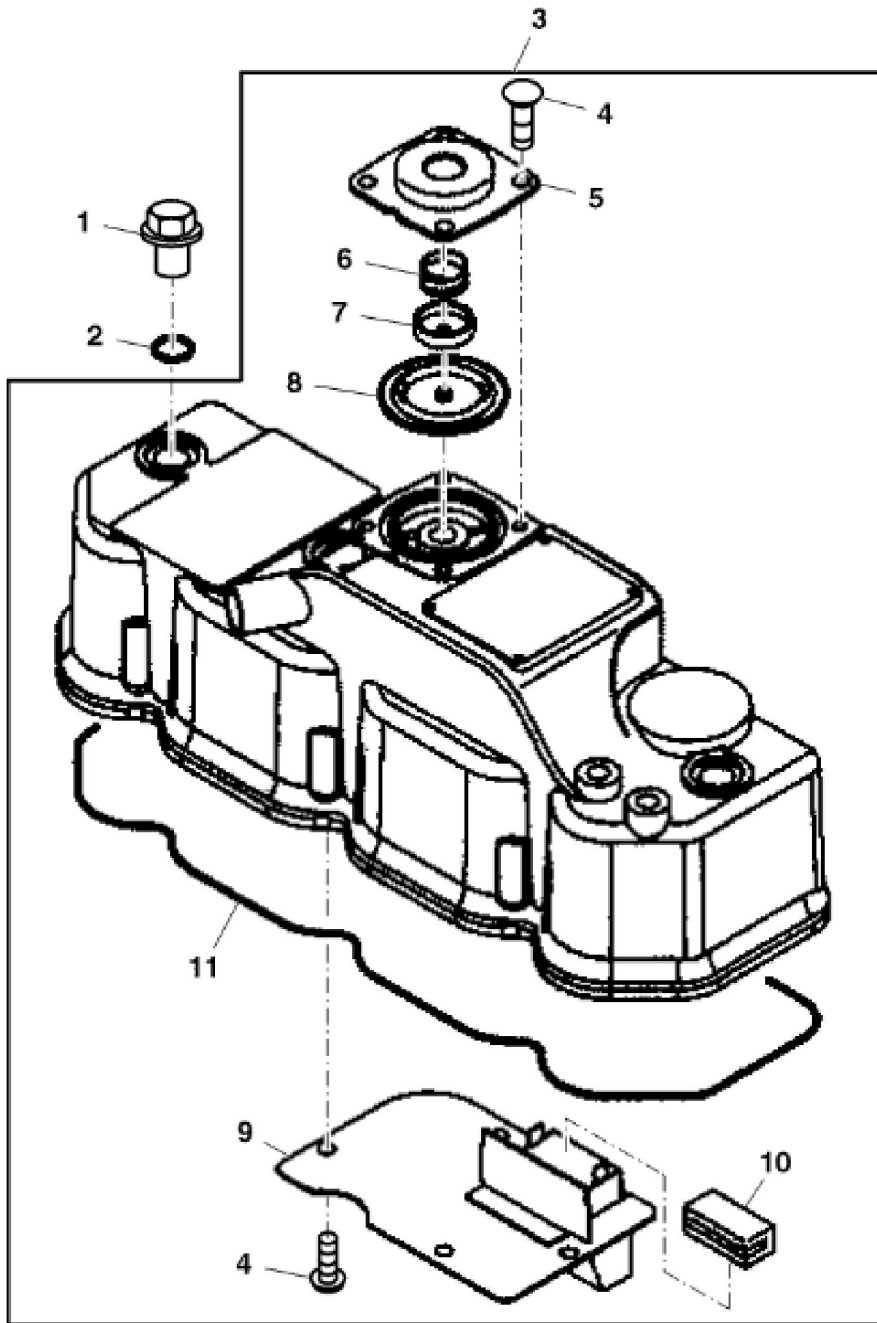
<https://www.ebooklibonline.com>



PULV103495

John Deere > Turf And Utility >TRACTOR, COMPACT UTILITY >3TNV88 - TRACTOR, COMPACT UTILITY >2032R Compact Utility Tractor (Worldwide Edition) >20 ENGINE >ST749292 - CYLINDER HEAD, VALVES AND ROCKER ARMS

KEY	PART NO.	PART NAME	QTY	REMARKS
1	AM882086	ROCKER ARM SHAFT	1	
2	MIU800882	ELECTRICAL CONNECTOR ASSY	1	
3	M801028	NUT	6	
4	M801027	STUD	6	Adjust
5	MIU800816	GLOW PLUG	3	
6	AM881820	ARM	6	
7	M811050	SUPPORT	2	Rocker Arm (A)
8	M811051	SUPPORT	2	Rocker Arm (B)
9	M801025	SPRING	3	
10	M811426	ROCKER ARM SHAFT	1	
11	M800002	PLUG	2	
12	MIU800798	WIRING HARNESS	1	Glow Plug
13	M811080	WASHER	3	
14	M801224	CAP	6	
15	AM878862	RETAINER KIT	6	(2 per PKG) , Valve
16	M801223	RETAINER	6	Spring
17	M801222	SPRING	6	Valve
18	CH10450	SEAL	3	Intake Valve
18	T110650	SEAL	3	Exhaust Valve
19	M801228	GUIDE	3	Exhaust
20	M801227	GUIDE	3	Intake
21	CH16751	PLUG	2	
22	M811557	INTAKE VALVE	3	
23	MIU800494	EXHAUST VALVE	3	
24	MIA880898	CYLINDER HEAD	1	
25	M801017	VALVE SEAT	3	
26	M811052	SHIELD	3	
27	19M7865	SCREW	2	M8 X 16, SUB FOR CH18390
28	AT211695	LIFT ARM	1	
29	M811088	RETAINER	3	
30	CH19780	BOLT	2	
31	MIU803028	LIFTER KIT	1	





Suggest:

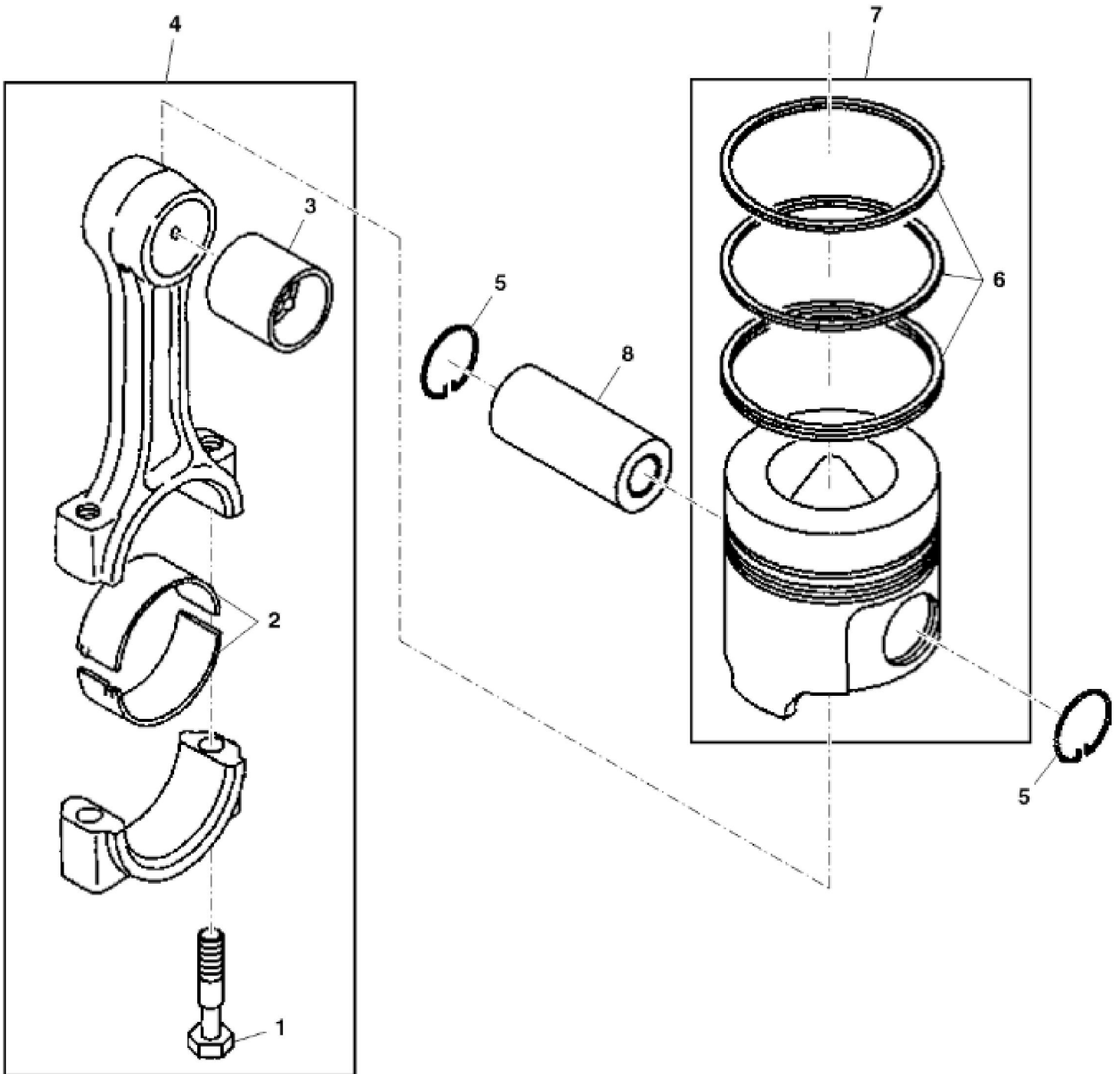
For more complete manuals. Please go to the home page.

<https://www.ebooklibonline.com>

If the above button click is invalid. Please download this document first, and then click the above link to download the complete manual.

Thank you so much for reading

KEY	PART NO.	PART NAME	QTY	REMARKS	
1	CH10348	PLUG	3		
2	CH10568	O-RING	3	Packing	
3	MIA880900	COVER	1		
3	MIA881048	COVER	1		
4	M807374	SCREW	8		
5	M811649	COVER	1	Breather	
6	M811650	SPRING	1		
7	M811046	PLATE	1		
8	M811048	DIAPHRAGM	1		
9	M811085	PLATE	1		
10	M801032	DEFLECTOR	1		
11	M811429	GASKET	1		



<https://www.ebooklibonline.com>

Hello dear friend!

Thank you very much for reading.

Enter the link into your browser.

The full manual is available for immediate download.

<https://www.ebooklibonline.com>