

RXP022771

KEY	PART NO.	PART NAME	QTY	Engine Serial No.	REMARKS
1	T26324	THRUST WASHER	2		
2	T26323	SHAFT	2		(SUB FOR T20036) (SUB R89824, UPPER IDLER GEAR) (SUB R89824, R100105, 19H3011 AND 14H865, LOWER IDLER GEAR)
3	34H283	SPRING PIN	1		3/16" X 1-1/8"
4	T20034	BUSHING	1		
5	AR91660	GEAR	1		(MARKED T20029 OR R70182) (SUB FOR AT18009)
6	T26326	THRUST WASHER	2		
7	19H1990	CAP SCREW	1		1/2" X 2-1/4", (USE WITH T20036)
7	T26327	SCREW	1		(USE WITH T26323)
8	19H1721	CAP SCREW	1		1/2" X 1-1/2"
9	T20217	WASHER	1		
10	R59312	PULLEY	1		
11	AR67942	SEAL	1		(SUB FOR AT21608)
12	T20046	OIL SLINGER	1		
13	T20094	HELICAL GEAR	1		
14	26H72	SHAFT KEY	1		1/8" X 5/8"
15	AT26698	CRANKSHAFT	1		(A) (MARKED T28743) (NLA)
15	AT18030	CRANKSHAFT	1		(B) (MARKED T23517) (SUB RE33197 AND RE48748)
15	RE57664	CRANKSHAFT	1		(B) (SUB FOR AT18030) (SUB RE33197 AND RE48748)
15	T20445	PLUG	1	____-XXXXXX	THRUST (LESS REVERSER)
15	T20445	PLUG	1		(C) THRUST (LESS REVERSER)
16	T23604	SHAFT KEY	1		
17	T26565	DOWEL PIN	1		
18	AR92893	SEAL	1		(SUB FOR AT22965) (SUB RE44574, THIS APPLICATION)
19	19H2644	CAP SCREW	2		1/2" X 2-1/2", (USE WITH T20036)
19	T26325	SCREW	2		(USE WITH T26323)
20	R42364	WASHER	2		(SUB R76126)
21	34H286	SPRING PIN	1		3/16" X 1-1/2"
22	T26321	BUSHING	1		
23	AT24252	GEAR	1		(MARKED T26322)
24	T20445	PLUG	1		

<https://www.ebooklibonline.com>

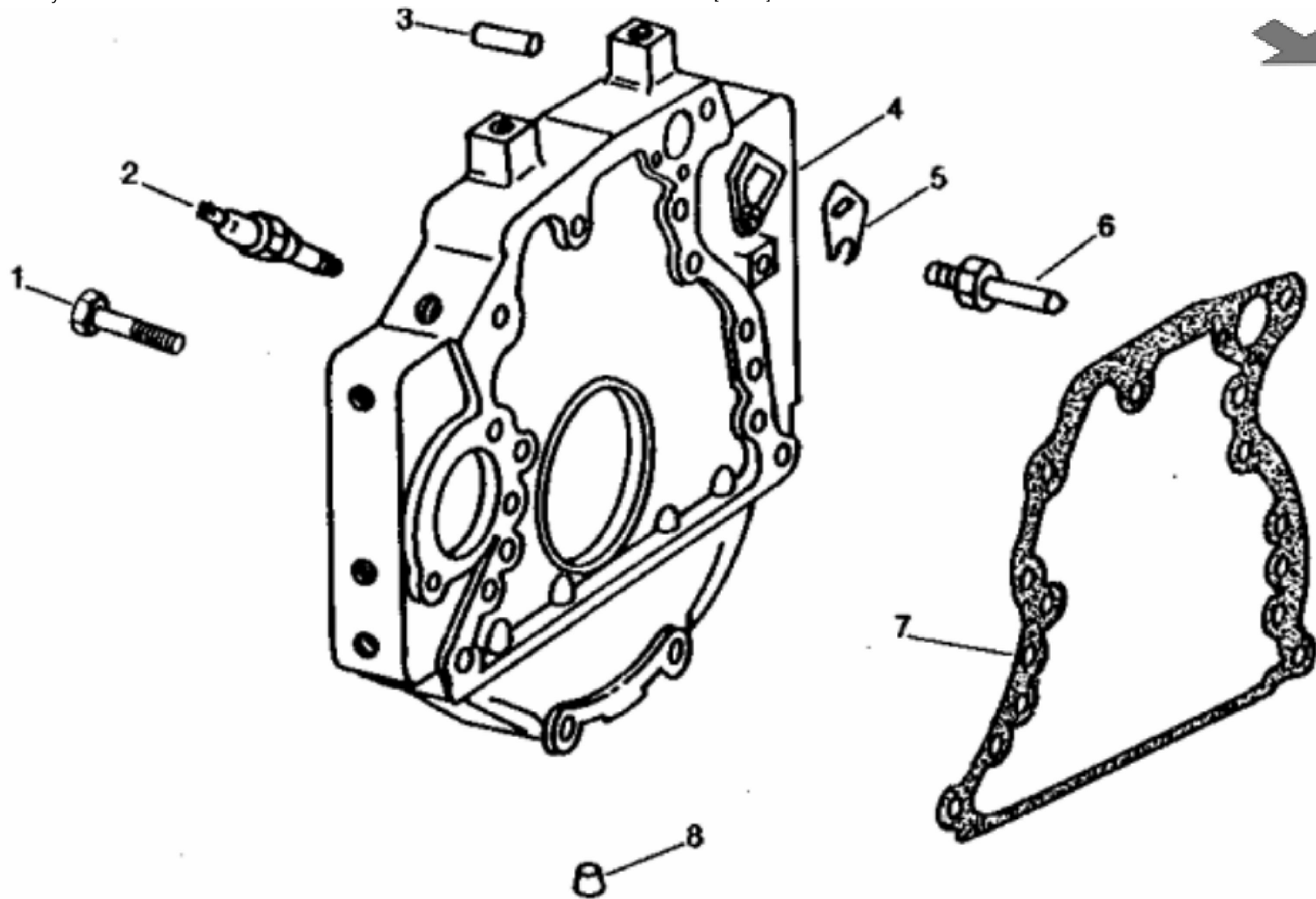
Hello dear friend!

Thank you very much for reading.

Enter the link into your browser.

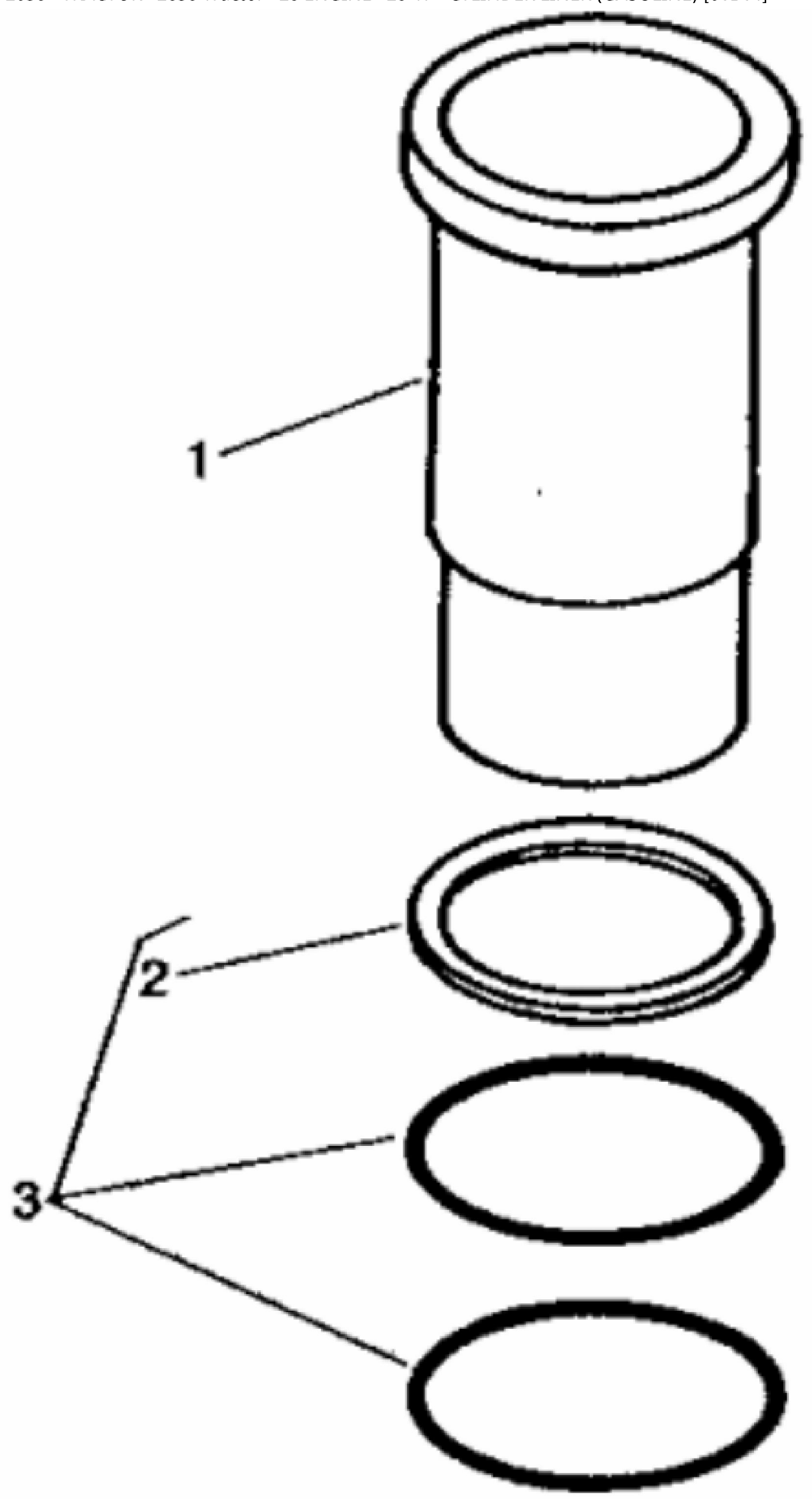
The full manual is available for immediate download.

<https://www.ebooklibonline.com>



RWP1694

KEY	PART NO.	PART NAME	QTY	REMARKS	
1	19H3219	CAP SCREW	8	3/8" X 1-3/8"	
2	AR27977	PRESSURE SWITCH	1		
3	T26565	DOWEL PIN	2		
4	R63434	HOUSING	1	(SUB FOR T25117)	
5	T20089	COVER	1	(USE WITH T25117)	
5	R131766	PLUG	1	(A) (USE WITH T28433) (SUB FOR T28435 OR R83554)	
6	T20090	SCREW	1		
6	19H2351	CAP SCREW	1	(A) 1/2" X 1/2"	
7	R97351	GASKET	1	(SUB FOR T23596 OR R70483)	
8	T23590	PLUG	1		



RP204



Suggest:

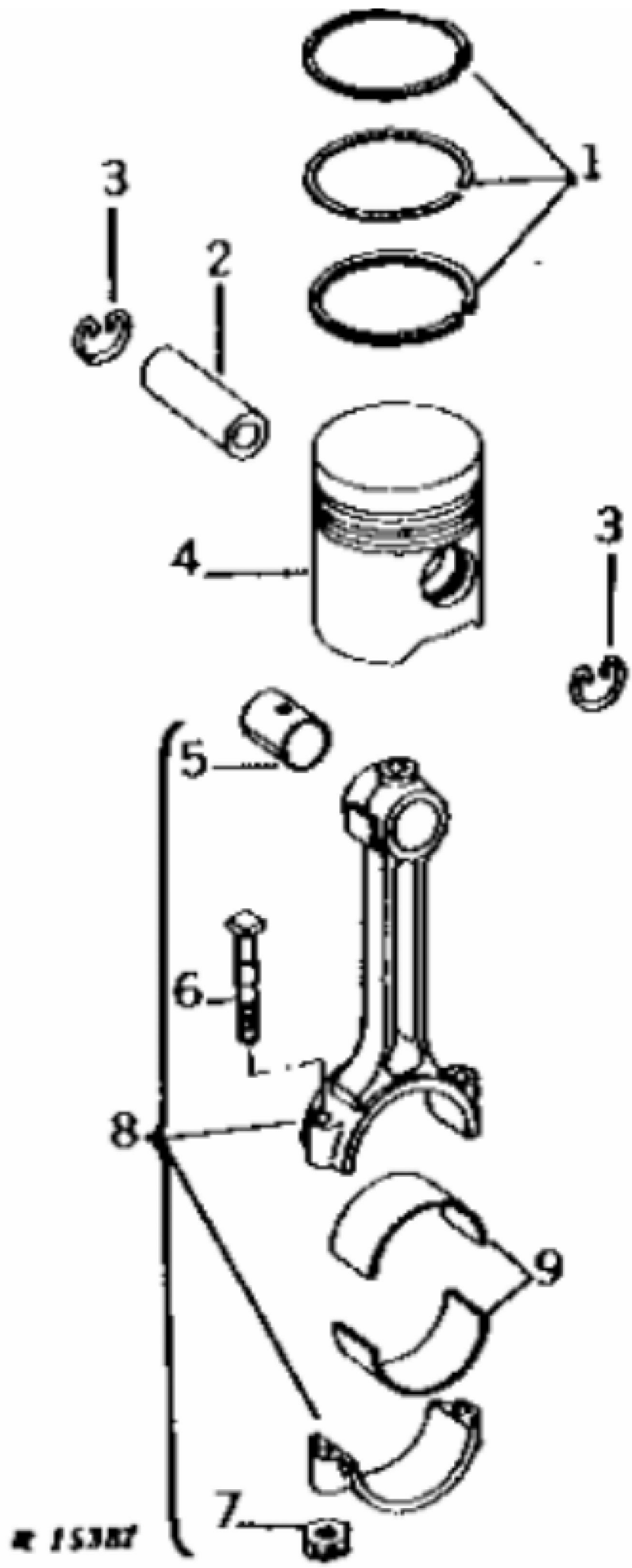
For more complete manuals. Please go to the home page.

<https://www.ebooklibonline.com>

If the above button click is invalid. Please download this document first, and then click the above link to download the complete manual.

Thank you so much for reading

KEY	PART NO.	PART NAME	QTY	REMARKS	
1	T32343	CYLINDER LINER	4	(SUB FOR R57582)	
2	R48768	WASHER	4	(SUB FOR T26151 OR T32262)	
3	AR71618	HYDRAULIC CYLINDER KIT	4		
..	AR54749	LUBRICANT	1	0.9L (1 QT.)	



RE 15387

<https://www.ebooklibonline.com>

Hello dear friend!

Thank you very much for reading.

Enter the link into your browser.

The full manual is available for immediate download.

<https://www.ebooklibonline.com>