

LV310071

KEY	PART NO.	PART NAME	QTY	REMARKS
1	M800970	BOLT	14	
2	MIA882331	GASKET KIT	1	
3	CH18079	SPRING PIN	2	
4	M811807	PLUG	3	
5	M809593	PLUG	1	
6	MIU800572	CAMSHAFT	1	Bush, Camshaft
7	M87871	BOLT	3	
8	M811882	SHAFT	1	Idle Gear
9	M800006	DOWEL PIN	2	Pipe, Knock
10	CH10314	PLUG	1	
11	M802255	PIN	2	8 X 16
12	M802254	PIN	2	6 X 10
13	MIA880551	BEARING	4	MainUnder Sized 0.25 MM
13	AM882418	BEARING KIT	4	Under Sized 0.25 MM
14	AM882419	THRUST WASHER	2	STD
14	MIA880557	THRUST WASHER	2	Under Sized 0.25 MM
15	M87801	PLUG	1	
16	CH10335	PLUG	1	
17	M87879	BOLT	8	
18	M811805	PLUG	4	
19	MIA880096	CYLINDER BLOCK	1	Block Assembly
20	MIA882684	SHORT BLOCK ASSEMBLY	1	MARKED 3TNV76-XJKVE1; Not Illustrated

**<https://www.ebooklibonline.com>**

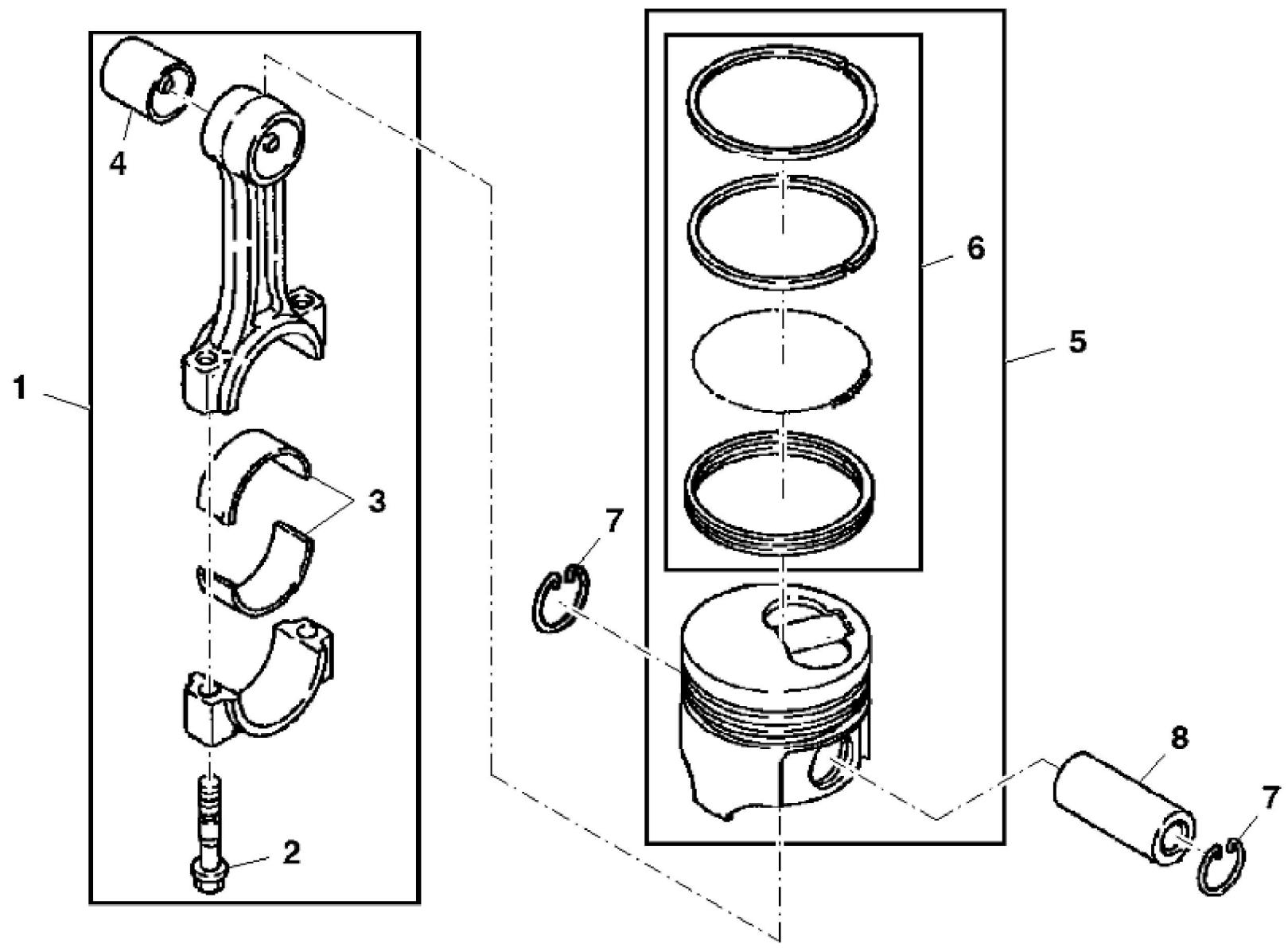
Hello dear friend!

Thank you very much for reading.

Enter the link into your browser.

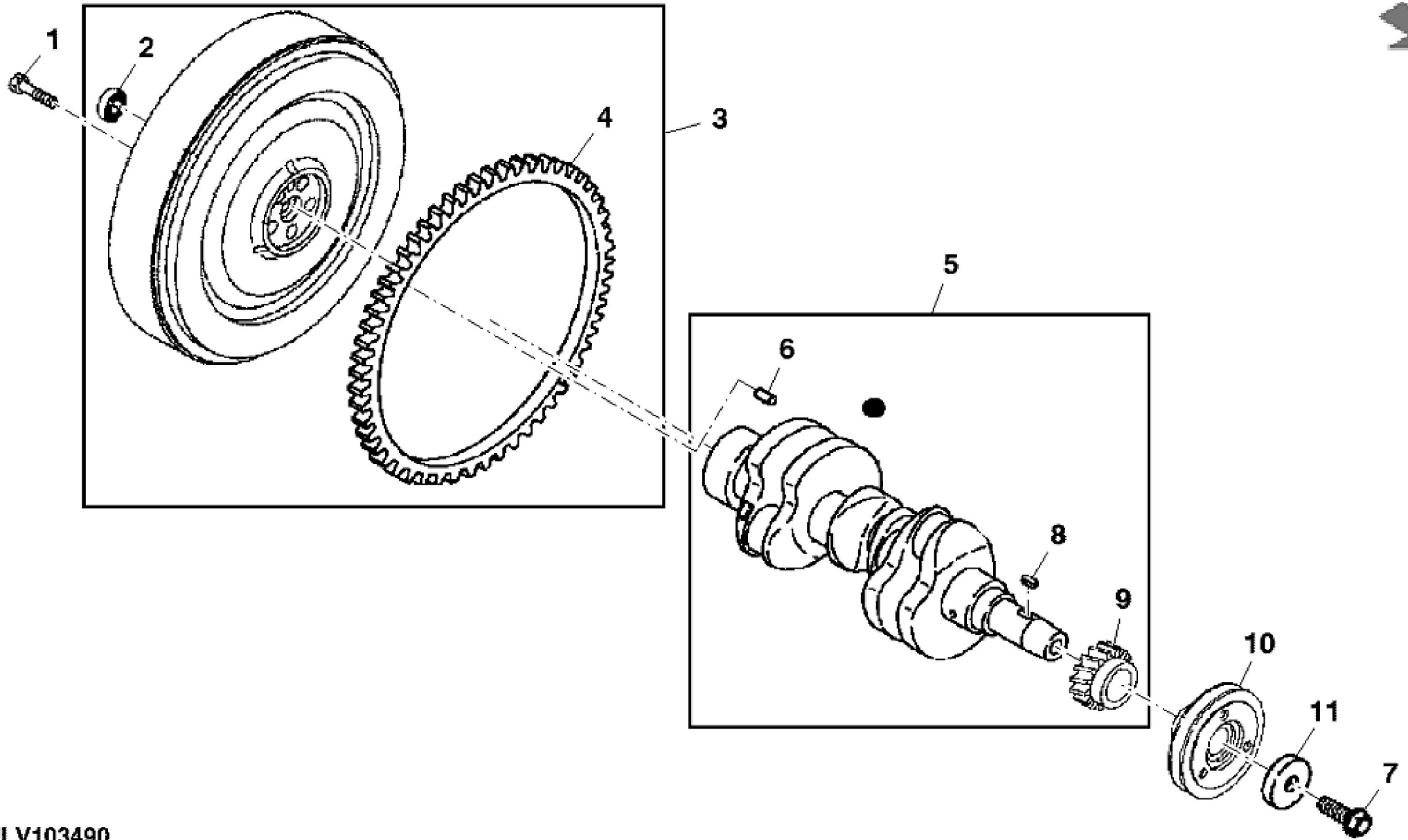
The full manual is available for immediate download.

**<https://www.ebooklibonline.com>**



PULV103489

KEY	PART NO.	PART NAME	QTY	REMARKS	
1	AM882431	CONNECTING ROD	3		
2	M811877	BOLT	6		
3	MIA880561	BEARING	3	STD	
4	M811880	BUSHING	3	Piston Pin	
5	AM882426	PISTON	3	STD	
5	AM882430	PISTON	3	Over Sized 0.25 MM	
6	AM882428	PISTON RING KIT	3	STD	
6	AM882429	PISTON RING KIT	3	Over Sized 0.25 MM	
7	CH11486	RING	6		
8	M811869	PISTON PIN	3		



PULV103490



**Suggest:**

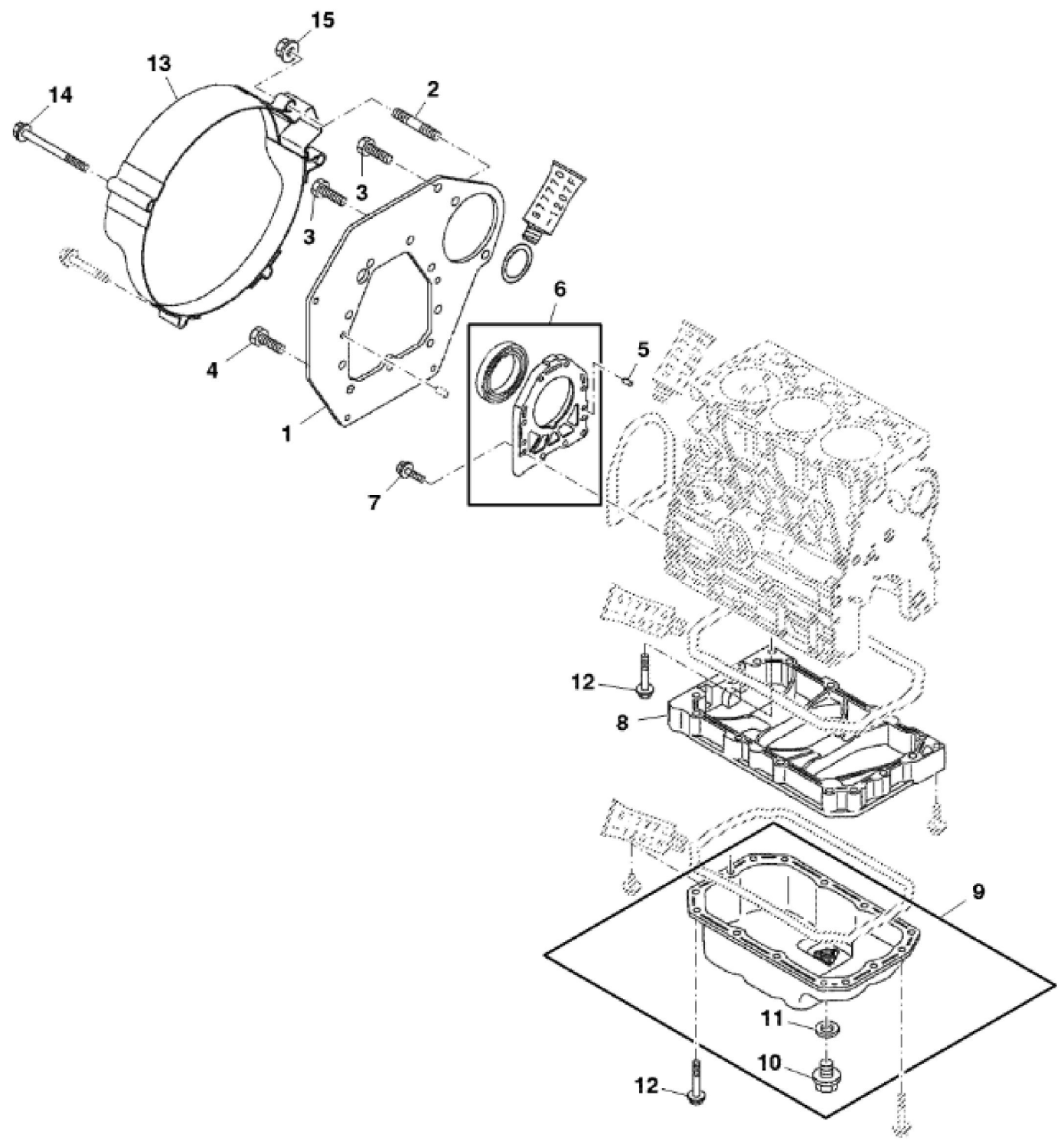
**For more complete manuals. Please go to the home page.**

**<https://www.ebooklibonline.com>**

**If the above button click is invalid. Please download this document first, and then click the above link to download the complete manual.**

**Thank you so much for reading**

KEY	PART NO.	PART NAME	QTY	REMARKS	
1	M87887	BOLT	5		
2	M807344	BEARING	1		
3	MIA880102	FLYWHEEL	1		
4	M88025	RING GEAR	1		
5	AM882425	CRANKSHAFT	1		
6	M802255	PIN	1	8 X 16	
7	MIU801499	BOLT	1		
8	M87812	SHAFT KEY	1	4 X 12	
9	M811864	GEAR	1	Crankshaft	
10	MIU800069	PULLEY	1	Crankshaft	
11	M800308	WASHER	1		



PULV103731

**<https://www.ebooklibonline.com>**

Hello dear friend!

Thank you very much for reading.

Enter the link into your browser.

The full manual is available for immediate download.

**<https://www.ebooklibonline.com>**