

KEY	PART NO.	PART NAME	QTY	Tractor Serial No.	REMARKS
1	19H2657	CAP SCREW	6		5/16" X 3-1/8"
1	19H2654	CAP SCREW	8		5/16" X 4-5/8", (NLA)
2	AT11774	VALVE COVER	1		(SUB FOR AT15075, T16950, T18424 OR T12213) (NLA)
3	T11135	PLUG	1		
4	T13188	GASKET	1		
5	R98825	GASKET	1		(SUB FOR T11317)
6	AT12300	TUBE	1		(NLA)
7	12H303	LOCK WASHER	2		5/16"
8	19H1913	CAP SCREW	2		5/16" X 2-1/4"
9	T11140	CAP SCREW	5		
9	T11141	BOLT	5		
10	T12526	WASHER	10		
11	T11211	GUIDE	8	____-010719	
11	T15683	GUIDE	8	010720-____	
12	M1102T	PLUG	1	____-012515	
12	15H560	PIPE PLUG	1	012516-____	1/16"
13	T11213	DOWEL PIN	2		(NLA)
14	T16573	PIN	4		(SUB FOR T11212, T20432 OR F1837R)
15	AT17377	CYLINDER HEAD	1		(MARKED T17514) (SUB FOR AT13965, AT14185 OR AT15753)
16	T12450	BUSHING	2		
17	R99080	GASKET	1		(SUB FOR AT12084, AT15708, AT11070 OR AT16542)
18	T13188	GASKET	1	____-026599	
19	AT14990	TUBE	1	____-026599	(SUB AT14989)

<https://www.ebooklibonline.com>

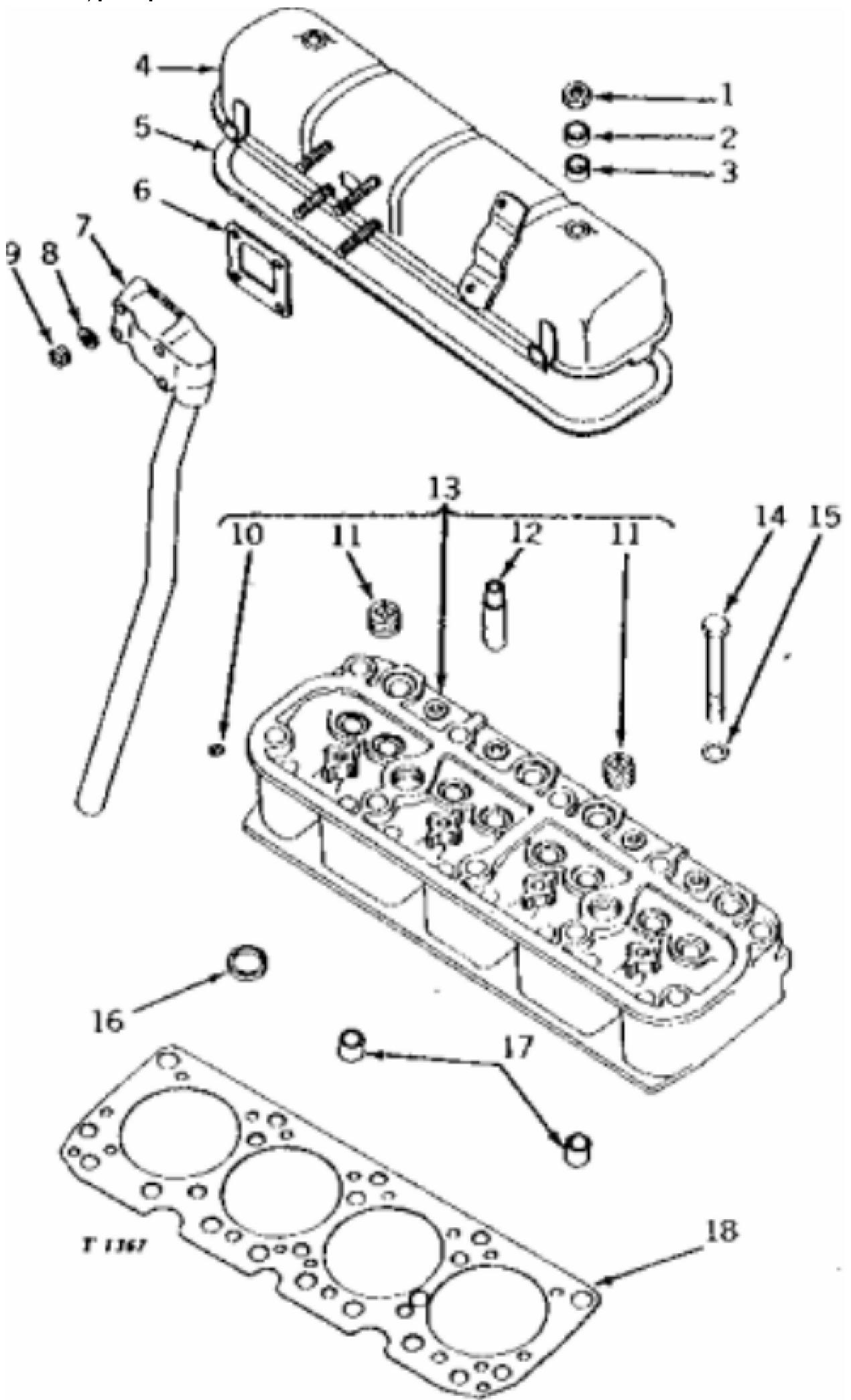
Hello dear friend!

Thank you very much for reading.

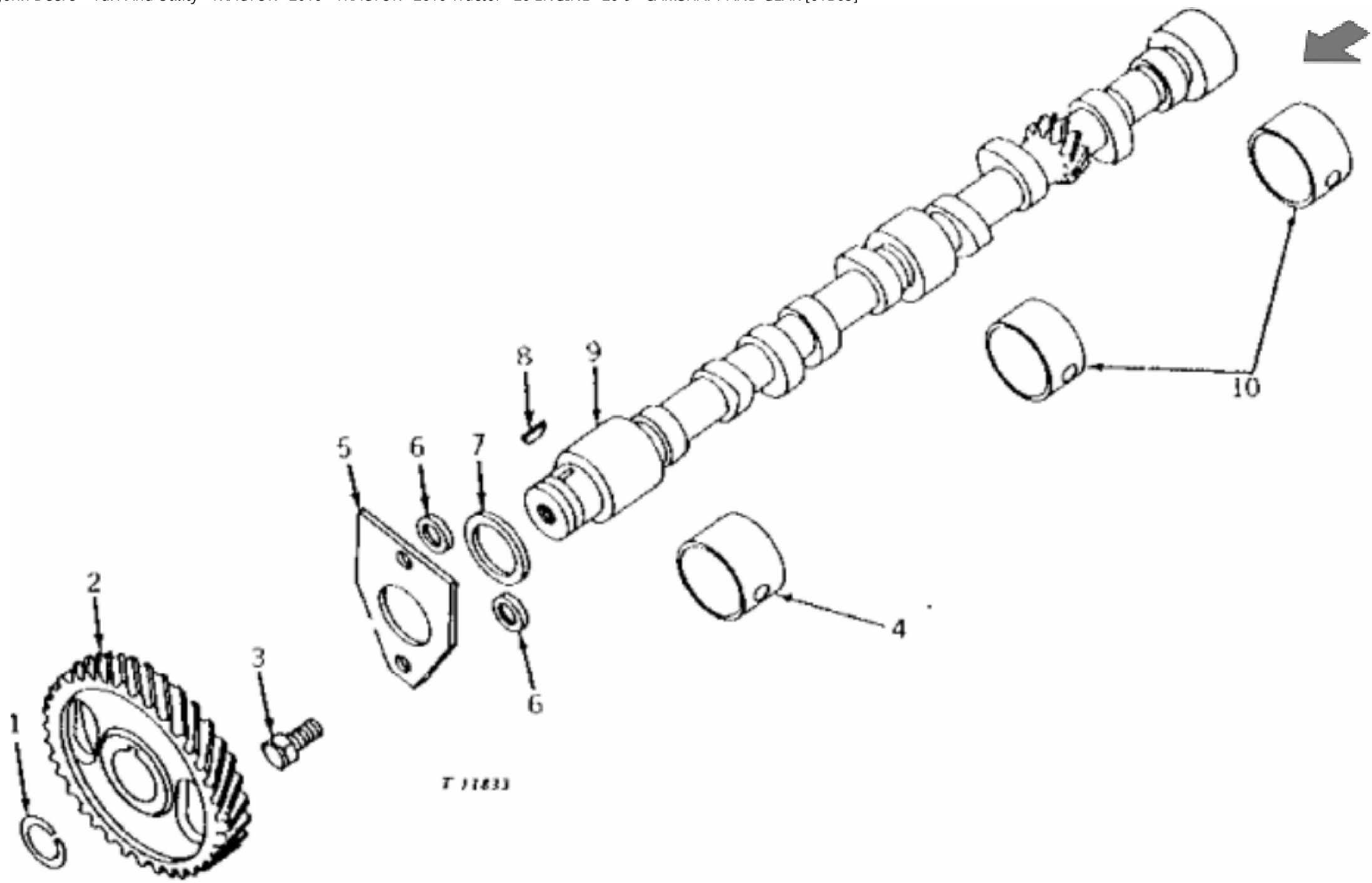
Enter the link into your browser.

The full manual is available for immediate download.

<https://www.ebooklibonline.com>



KEY	PART NO.	PART NAME	QTY	REMARKS
1	14H807	NUT	2	7/16"
2	24H1325	WASHER	2	15/32" X 59/64" X 0.065"
3	T379T	WASHER	2	
4	AT14450	COVER	1	(SUB FOR AT12236) (NLA)
5	T12618	GASKET	1	(SUB FOR T18584)
6	T13184	GASKET	1	
7	AT12299	TUBE	1	(NLA)
8	F2775R	WASHER	4	
9	T14299	WING NUT	4	(NLA)
10	15H560	PIPE PLUG	1	1/16"
11	15H562	PIPE PLUG	2	1"
12	T556T	GUIDE	8	
13	AT11502	CYLINDER HEAD	1	(A) (MARKED T11846) (NLA)
13	AT11711	CYLINDER HEAD	1	(B) (MARKED T12174) (NLA)
14	T11141	BOLT	10	
15	T12526	WASHER	10	
16	T10072	VALVE	4	(B)
17	T12450	BUSHING	2	
18	R99080	GASKET	1	(SUB FOR AT12084, AT11070, AT15708 OR AT16542)



T 11833



Suggest:

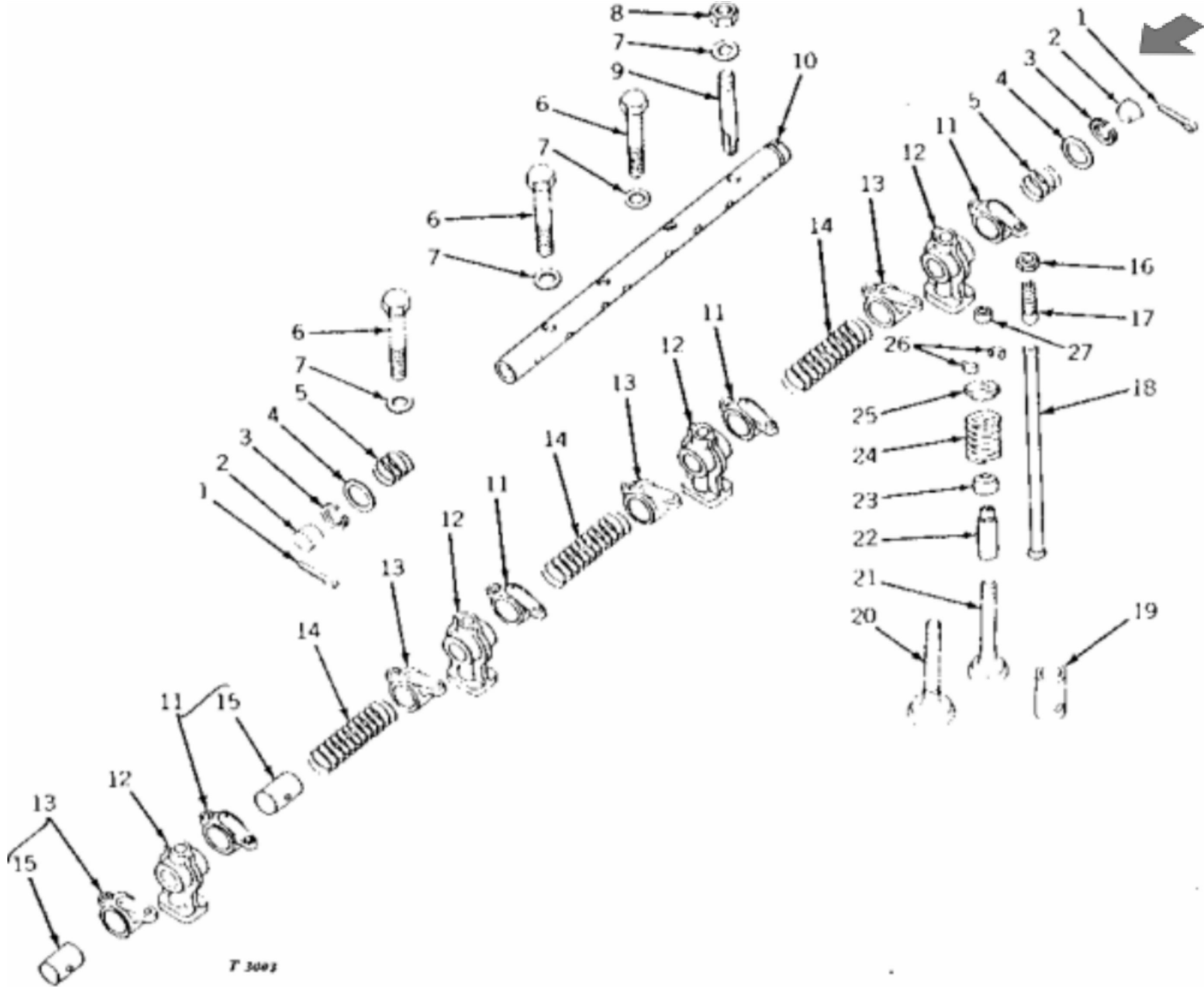
For more complete manuals. Please go to the home page.

<https://www.ebooklibonline.com>

If the above button click is invalid. Please download this document first, and then click the above link to download the complete manual.

Thank you so much for reading

KEY	PART NO.	PART NAME	QTY	REMARKS	
1	M22T	SNAP RING	1		
2	T19071	GEAR	1	(SUB FOR T401T)	
3	19H2284	CAP SCREW	2	3/8" X 7/8"	
4	T527T	BUSHING	1		
5	T12090	PLATE	1	(NLA)	
6	M3150T	WASHER	2		
7	M12T	WASHER	1		
8	26H77	SHAFT KEY	1	3/16" X 3/4"	
9	T12848	CAMSHAFT	1	(DIESEL) (NLA)	
9	T12038	CAMSHAFT	1	(GASOLINE AND LP-GAS)	
10	T528T	BUSHING	2		



<https://www.ebooklibonline.com>

Hello dear friend!

Thank you very much for reading.

Enter the link into your browser.

The full manual is available for immediate download.

<https://www.ebooklibonline.com>