

CD 35800

KEY	PART NO.	PART NAME	QTY	Engine Serial No.	1640	2040	2040S	REMARKS
1	AR71007	CYLINDER BLOCK	1	____-460066	X	X	X	(ORDER RE66497, (18) R85363, R46625, R73139, R131794
1	AR97218	CYLINDER BLOCK	1	____-687810	X	X	X	(MARKED R72974)(ORDER RE66497,(18) R85363)
1	RE66497	CYLINDER BLOCK	AR	687811-____	X	X	X	(MARKED R122820) (SUB FOR RE25595)
2	R48685	DOWEL PIN	2		X	X	X	(SUB FOR R26241 APPL) (SUB FOR A120R)
3	R54802	ORIFICE	4		X	X	X	
4	T33279	STUD	2		X	X	X	(ORDER R84984, 14H774)
4	R84984	STUD	AR		X	X	X	3/8"-16NC X 3/8"-16UNC,3/8"-16NC X 3/8"-24UNF, (FOR 14H774)
5	T25701	STUD	1		X	X	X	3/8"-16UNC, (ORDER R130883, 14H1076)
5	R130883	STUD	AR		X	X	X	3/8"-16NC X 3/8"-16UNC, 3/8"-16NC X 3/8"-24UNF, (USE WITH 14H1076) (SUB FOR R82674(FOR 14H774))
6	R26650	DOWEL PIN	2		X	X	X	(SUB FOR A4879R)
7	R57160	BUSHING	6		X	X	X	OD= STANDARD
7	R91708	BUSHING	AR		X	X	X	OD= 2MM (0.078")
8	T18891	PLUG	2		X	X	X	
9	R26493	BUSHING	1		X	X	X	
10	R65215	BEARING CAP	4		X	X	X	
11	T20168	WASHER	8		X	X	X	
12	T23474	CAP SCREW	8		X	X	X	
13	R75893	FITTING	1	574190-____	X	X	X	
14	R75892	O-RING	1	574190-____	X	X	X	
15	15H255	PIPE PLUG	1		X	X	X	3/8"
16	T23435	THREADED NIPPLE	1		X	X	X	
17	R46625	SPRING	1		X	X	X	LGTH=59MM, (FOR R73139), OR(ORDER RE63673)
17	SPRING	1		X	X	X	LGTH= 51MM, NSEP (ORDER RE63674)
18	R73139	FLOW CONTROL HYD. VALVE	1		X	X	X	LGTH=49.5MM, (FOR R46625), OR(ORDER RE63673)
18	FLOW CONTROL HYD. VALVE	1		X	X	X	LGTH= 40.5MM, NSEP, (ORDER RE63674)

<https://www.ebooklibonline.com>

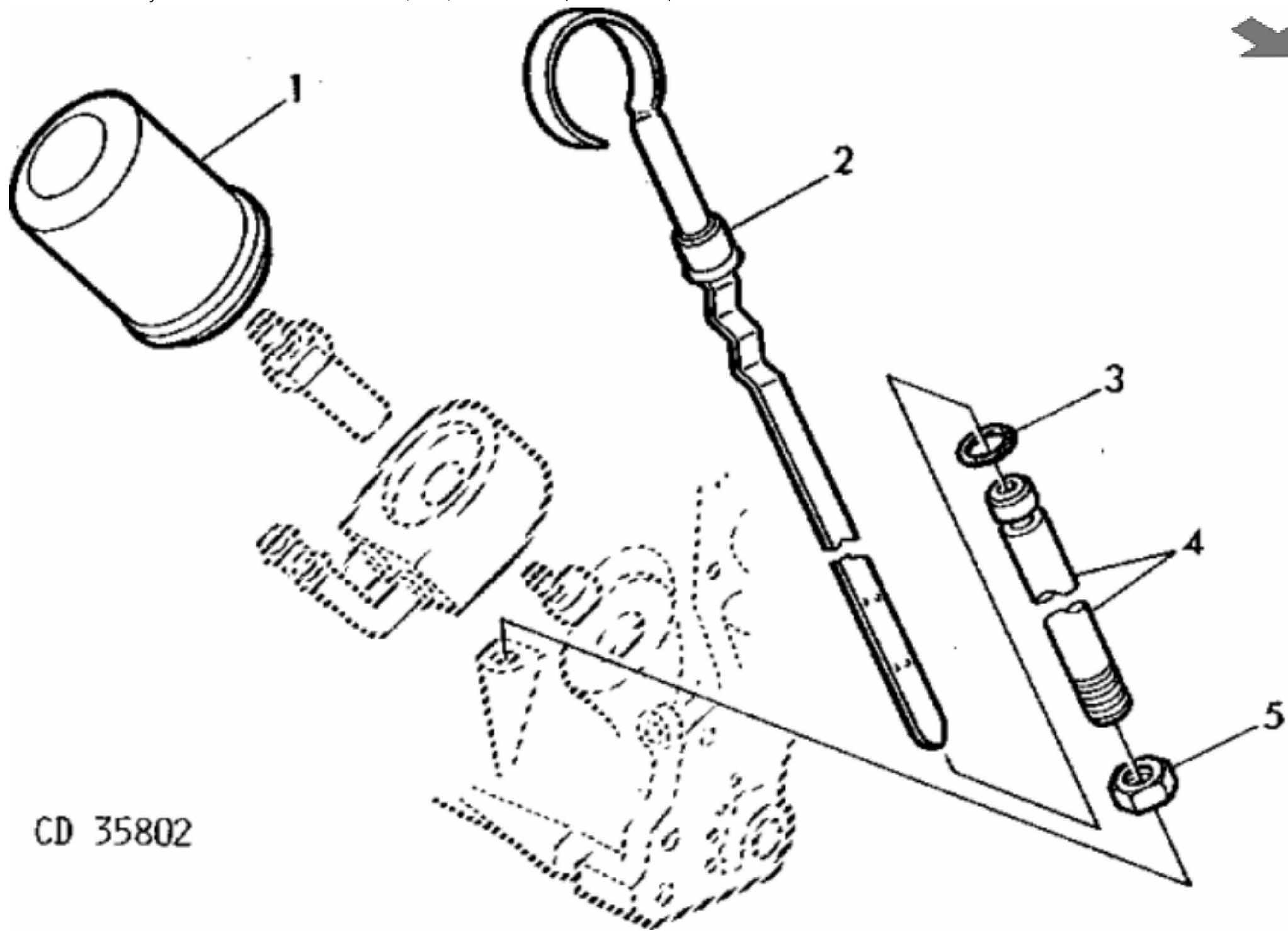
Hello dear friend!

Thank you very much for reading.

Enter the link into your browser.

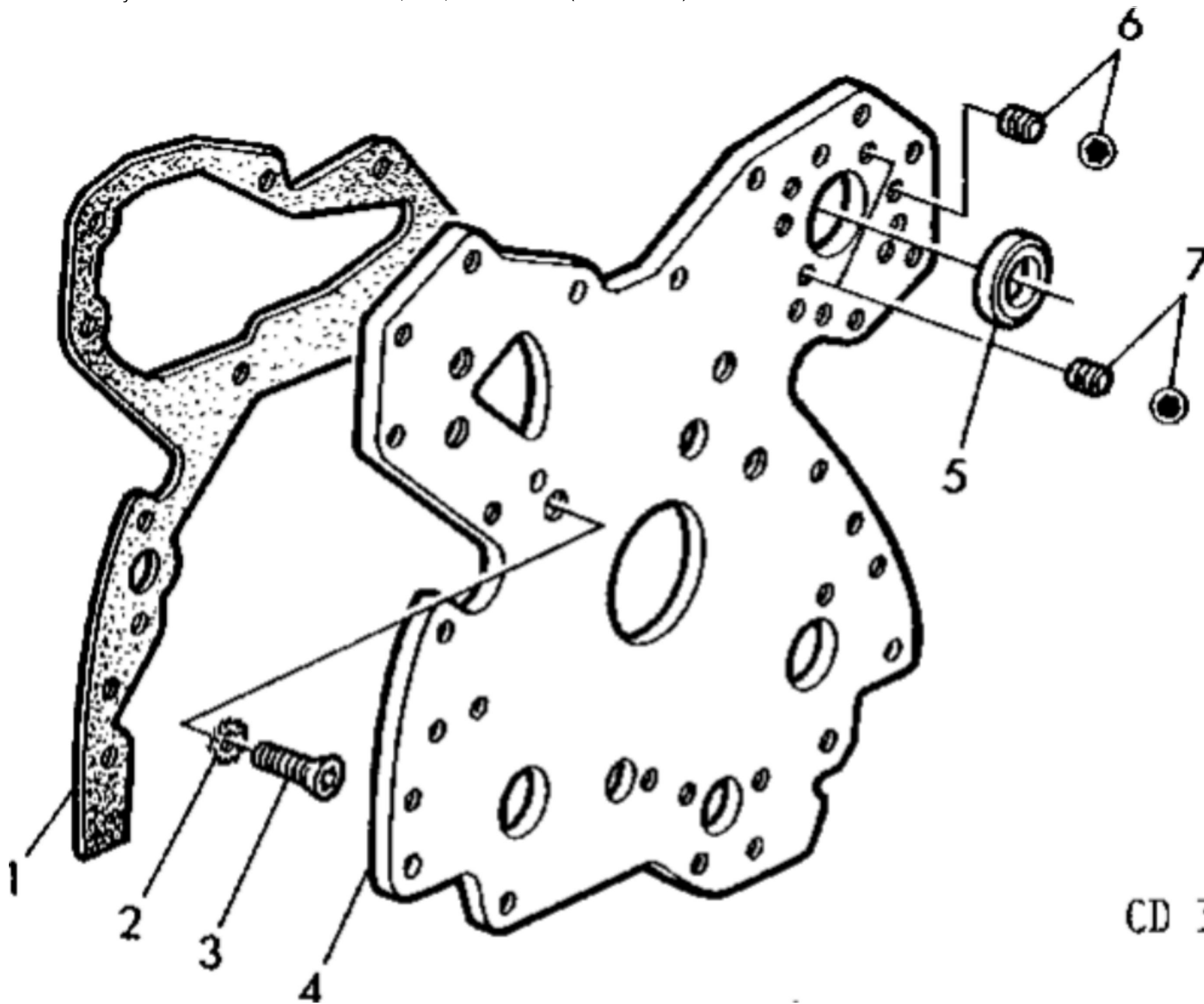
The full manual is available for immediate download.

<https://www.ebooklibonline.com>



CD 35802

KEY	PART NO.	PART NAME	QTY	1640	2040	2040S	REMARKS	
1	T19044	OIL FILTER	1	X	X	X		
2	AR78192	DIPSTICK	1	X	X	X	LGTH= 270MM (10.63")	
2	AT21534	DIPSTICK	1			X	(TRACTOR WITH INCREASED LIFTING CAPACITY) LGTH= 270MM (10.63")	
3	R10093	O-RING	1	X	X	X		
4	R55299	DIPSTICK TUBE	1	X	X	X	LGTH= 59MM (2.32")	
5	14H826	NUT	1	X	X	X	1/2"	



CD 35803



Suggest:

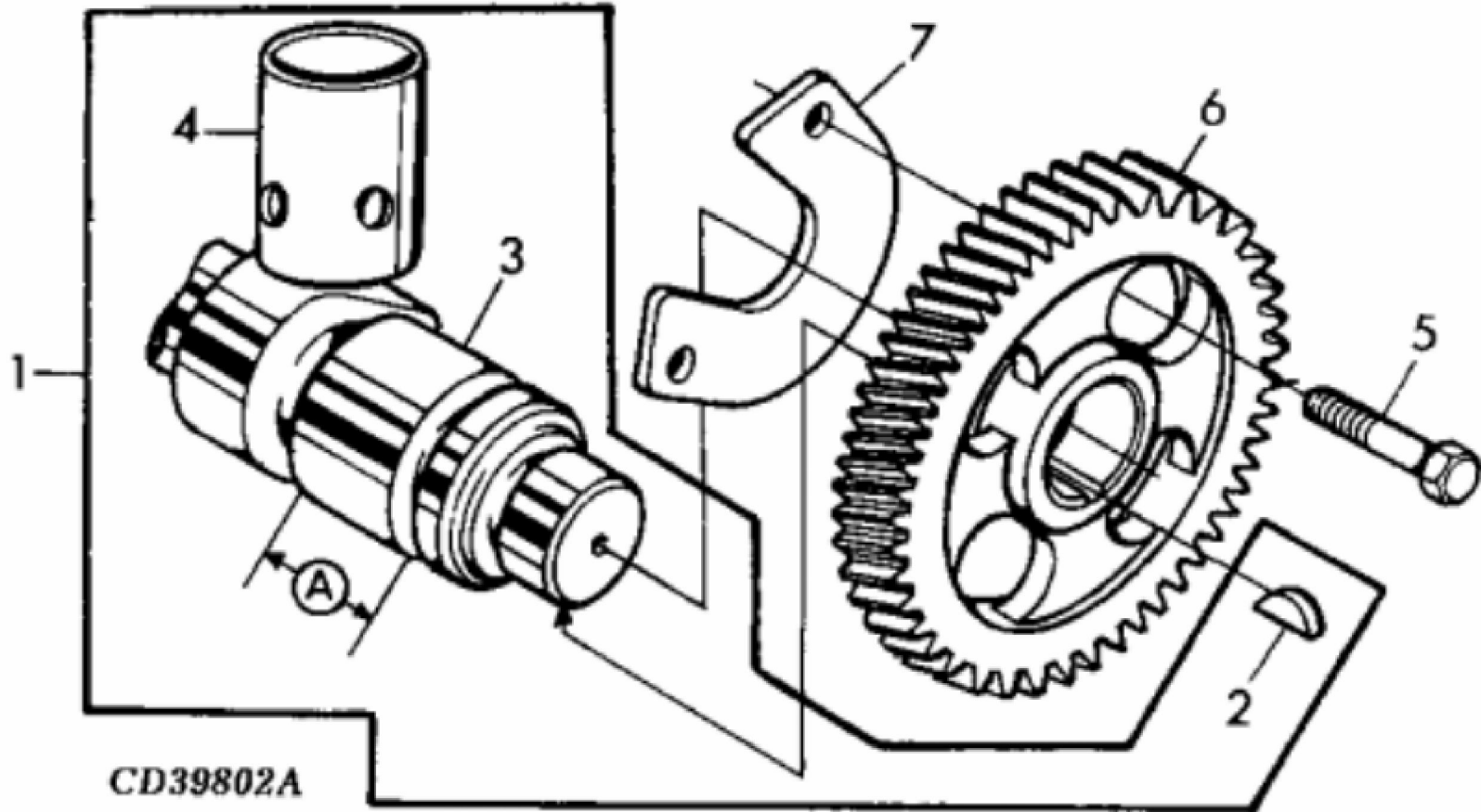
For more complete manuals. Please go to the home page.

<https://www.ebooklibonline.com>

If the above button click is invalid. Please download this document first, and then click the above link to download the complete manual.

Thank you so much for reading

KEY	PART NO.	PART NAME	QTY	Engine Serial No.	1640	2040	2040S	REMARKS
1	R131794	GASKET	1		X	X	X	(SUB FOR R73140, R90648)
2	12H324	WASHER	5		X	X	X	3/8"
3	R501068	BOLT	5		X	X	X	3/8"X5/8", (SUB FOR T20166, THIS APPLICATION)
4	R79863	PLATE	1	____-531584	X			(ALSO ORDER R79854, (8) AT21191, AND (2) AT22919) (SUB FOR AT29928, R75470)
4	R79863	PLATE	1	531585-____	X			(ALSO ORDER (8) AT21191 AND (2) AT22919)
4	R79863	PLATE	1	____-530063		X		(ALSO ORDER R79854, (8) AT21191, AND(2) AT22919) (SUB FOR AT29928, R77149)
4	R79863	PLATE	1	530064-____		X		(ALSO ORDER (8) AT21191 AND (2) AT22919)
4	R79863	PLATE	1	____-531046			X	(FOR 2040 JAPAN AND 2040S) (ALSO ORDER R79854, (8) AT21191, AND (2) AT22919) (SUB FOR AT29928, R77149)
4	R79863	PLATE	1	531047-____			X	(FOR 2040 JAPAN AND 2040S) (ALSO ORDER (8) AT21191 ANDAT22919)
5	R79854	BUSHING	AR	____-531584	X			
5	R79854	BUSHING	AR	____-530064		X		
5	R79854	BUSHING	AR				X	
6	AT21191	SET SCREW	8		X	X	X	5/16"
7	AT22919	SET SCREW	2		X	X	X	3/8"



<https://www.ebooklibonline.com>

Hello dear friend!

Thank you very much for reading.

Enter the link into your browser.

The full manual is available for immediate download.

<https://www.ebooklibonline.com>