

CE 17732

KEY	PART NO.	PART NAME	QTY	Serial No.	1640	2040	REMARKS	
1	DE12688	CYLINDER BLOCK	1	____-110893	X	X	(ORD AR97218, R46625, R73139, R73140)	
1	AR97218	CYLINDER BLOCK	1	110894-____	X	X	(SUB FOR AR97217)	
2	15H665	PIPE PLUG	1		X	X	3/4"	
3	AT13740	DRAIN VALVE	1	____-123497	X	X		
4	R55233	PIPE PLUG	1	123498-____	X	X		
5	15H275	PIPE PLUG	1		X	X	1/4"	
6	AR65507	O-RING KIT	4		X	X	KIT	
7	R51726	CYLINDER LINER	4		X	X		
8	CD15466	SHIM	AR		X	X	TK=0,05MM(.002")	
8	R65833	SHIM	AR		X	X	TK=0,1MM(.004")	
9	T19044	OIL FILTER	1		X	X		
10	AR78192	DIPSTICK	1		X	X		
11	R55299	THREADED NIPPLE	1		X	X		
12	R10093	O-RING	1		X	X		
13	T23435	THREADED NIPPLE	1		X	X		
14	14H826	NUT	1		X	X	1/2"	
15	R54802	ORIFICE	4		X	X		
16	T33279	STUD	2		X	X	3/8"	
17	24H1303	WASHER	2		X	X	13/32"X11/16"X.060"	
18	14H1080	NUT	3		X	X	3/8"	
19	12H304	LOCK WASHER	1		X	X	3/8"	
20	R82674	STUD	1		X	X	3/8" (SUB FOR T25701)	
21	T29721	PLATE	1	____-115749	X	X	(ORD (8) AT21191, (2) AT22919, RE16149)	
21	R79863	PLATE	1	115750-____	X	X	(ORD (8) AT21191, (2) AT22919) (SUB FOR R77149)	
22	15H558	PIPE PLUG	5		X	X		
23	12H324	WASHER	5		X	X	3/8"	
24	T20166	SCREW	5		X	X	3/8"X7/8"	
25	T18891	CAP	2		X	X		
26	R26493	BUSHING	1		X	X		
27	R73140	GASKET	1		X	X	(SUB FOR T24965)	
28	T29447	DOWEL PIN	2		X	X	(SUB FOR B153R)	
29	R57160	BUSHING	6		X	X		
30	R65215	BEARING CAP	AR		X	X		
30	R79089	CAP	1		X	X	REAR	

<https://www.ebooklibonline.com>

Hello dear friend!

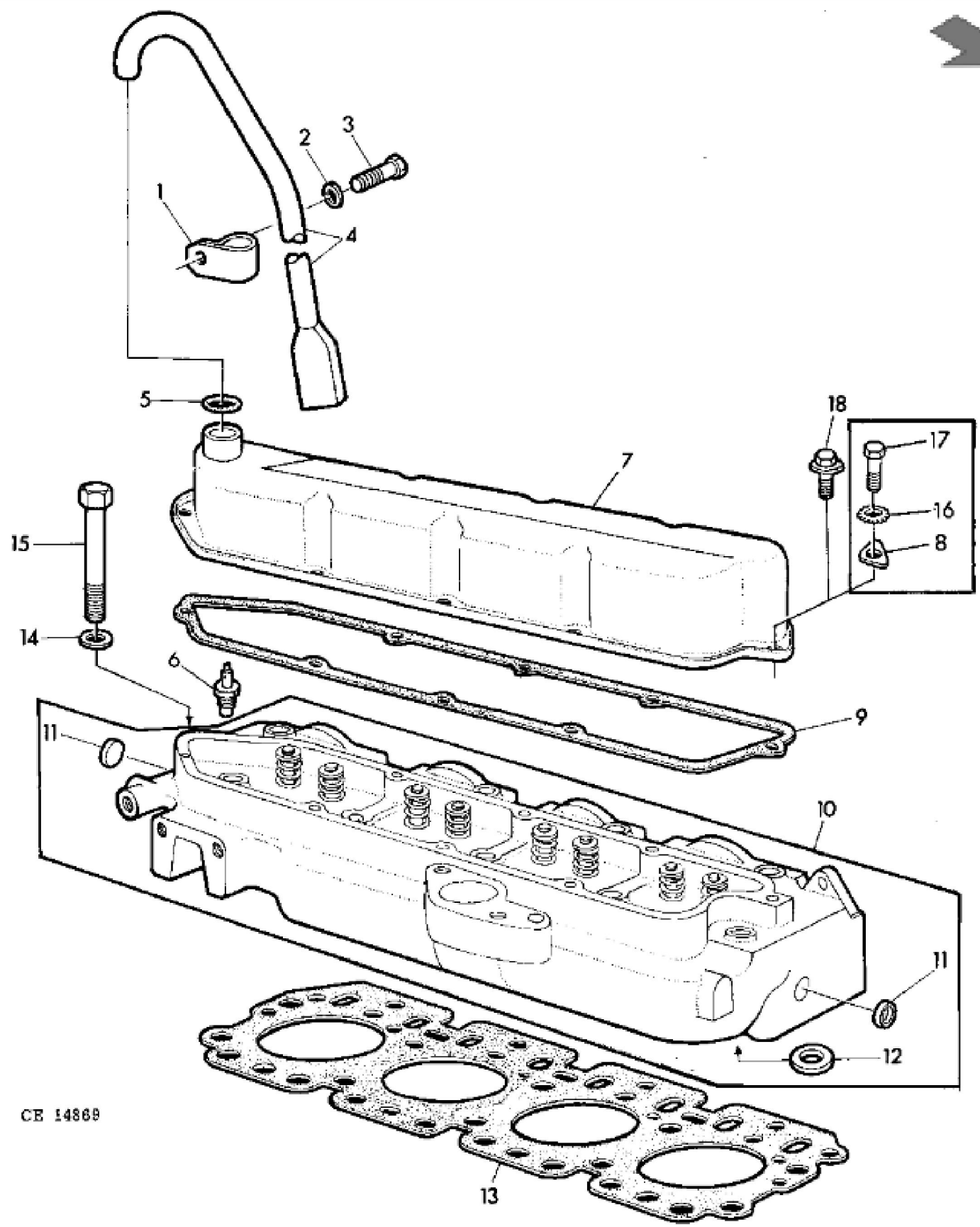
Thank you very much for reading.

Enter the link into your browser.

The full manual is available for immediate download.

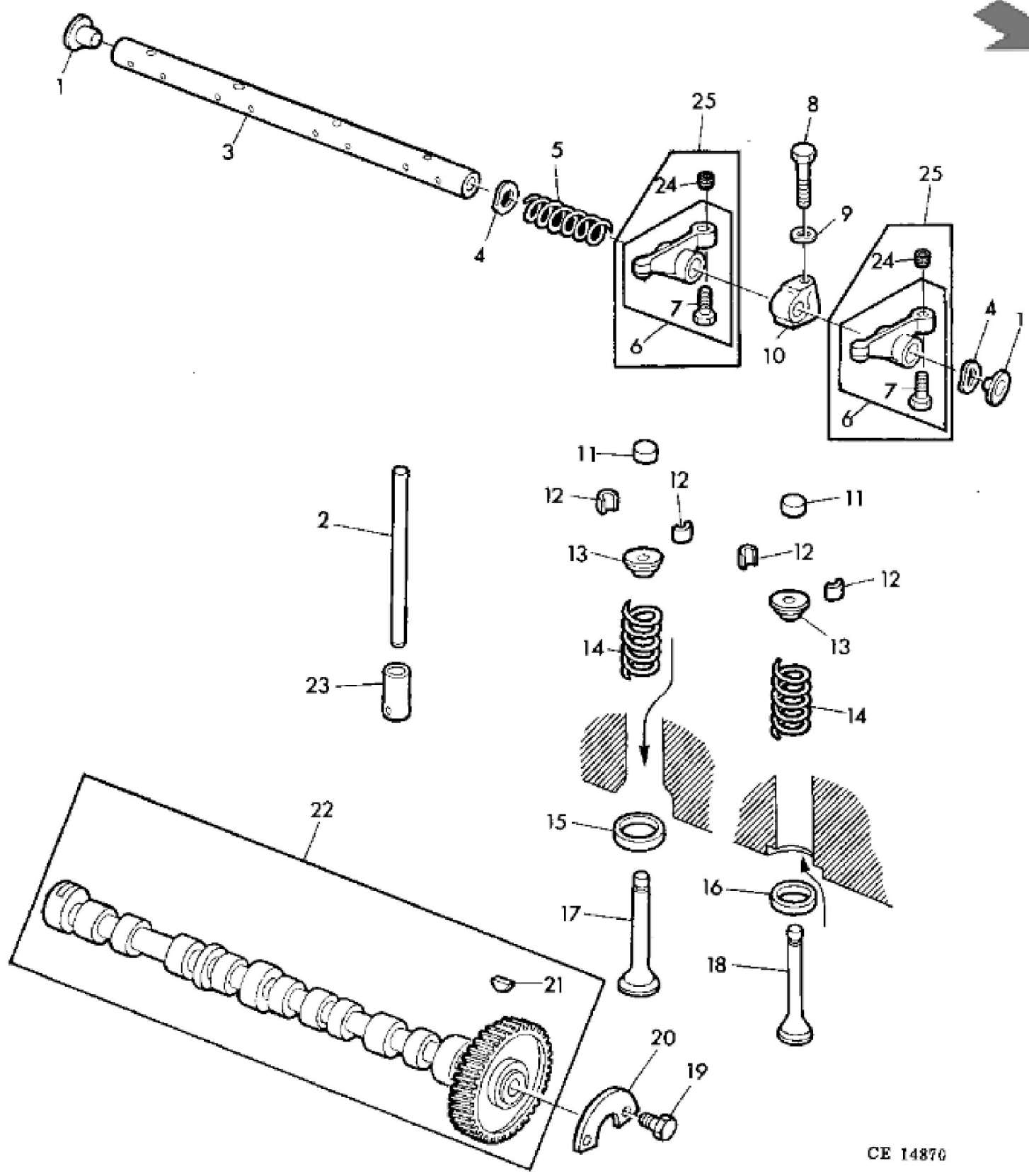
<https://www.ebooklibonline.com>

KEY	PART NO.	PART NAME	QTY	Serial No.	1640	2040	REMARKS
31	R39741	DRAIN PLUG	1		X	X	
32	T23474	CAP SCREW	10		X	X	1/2"
33	T20168	WASHER	10		X	X	
34	U13639	O-RING	1		X	X	
35	15H255	PIPE PLUG	1		X	X	3/8"
36	A120R	DOWEL PIN	4		X	X	
37	R73139	VALVE	1	110894-_____	X	X	
38	R46625	SPRING	1	110894-_____	X	X	
39	R75892	O-RING	1	117801-_____	X	X	
40	R75893	FITTING	1	117801-_____	X	X	
41	AT21191	SET SCREW	8		X	X	5/16"
41	AT22919	SET SCREW	2		X	X	3/8"



CE 14869

KEY	PART NO.	PART NAME	QTY	1640	2040	REMARKS	
1	R40791	CLAMP	1	X	X		
2	24H1685	WASHER	1	X	X	11/32"X3/4"X.075"	
3	19H1813	CAP SCREW	1	X	X	5/16"X5/8"	
4	R60890	LINE	1	X	X		
5	R495R	O-RING	1	X	X		
6	AL24527	SENDER	1	X	X		
7	AT18015	VALVE COVER	1	X	X		
8	CE13178	WASHER	8	X	X		
9	R68227	GASKET	1	X	X	(ORD (8) AR100124, AR100596)	
9	AR100596	GASKET	1	X	X		
10	AR62452	CYLINDER HEAD	1	X	X		
11	A3910R	CAP	2	X	X	OD=25,5MM	
11	CD16284	CAP	2	X	X	OD=32,5MM	
12	CD13979	VALVE SEAT INSERT	4	X	X		
13	R59448	GASKET	1	X	X		
14	T20168	WASHER	18	X	X		
15	R53223	CAP SCREW	18	X	X	1/2"X4"	
16	12H297	LOCK WASHER	8	X	X		
17	19H1948	CAP SCREW	8	X	X	1/4"X3/4"	
18	AR100124	SCREW, WITH WASHER	8	X	X		



CE 14870



Suggest:

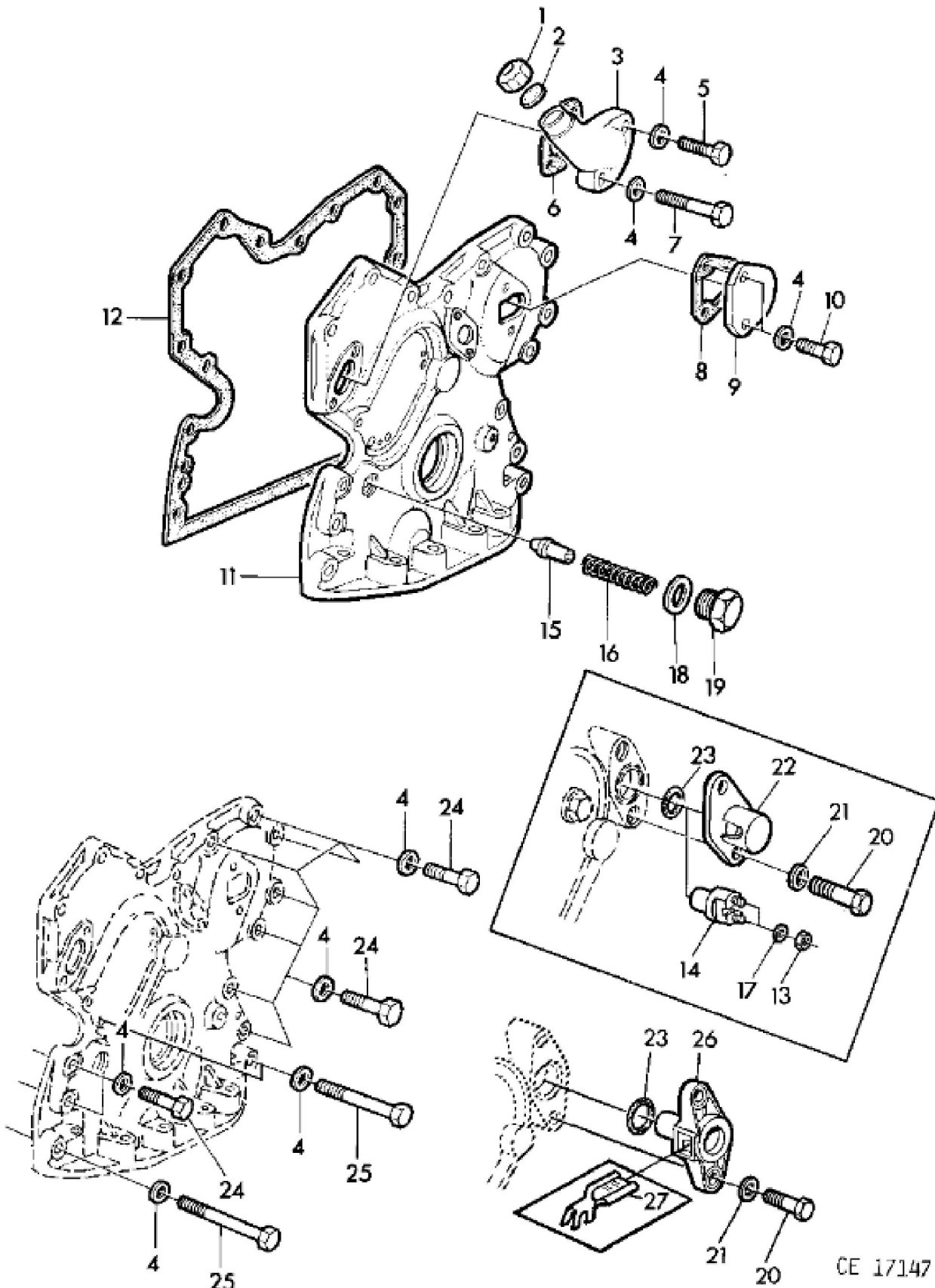
For more complete manuals. Please go to the home page.

<https://www.ebooklibonline.com>

If the above button click is invalid. Please download this document first, and then click the above link to download the complete manual.

Thank you so much for reading

KEY	PART NO.	PART NAME	QTY	1640	2040	REMARKS
1	R54565	PLUG	2	X	X	
2	T20310	PIN	8	X	X	
3	R54987	SHAFT	1	X	X	
4	T20316	WASHER	2	X	X	
5	T20314	SPRING	3	X	X	
6	RE19031	ROCKER ARM	8	X	X	(SUB FOR AT31250)
7	SET SCREW	8	X	X	NSEP (ORD AT31250)
8	19H268	CAP SCREW	4	X	X	3/8"X2-1/2"
9	R42729	WASHER	4	X	X	
10	T20315	SUPPORT	4	X	X	
11	T20129	CAP	8	X	X	
12	T20077	RETAINER	16	X	X	
13	T20176	RETAINER	8	X	X	
14	R26125	SPRING	8	X	X	
15	CD14725	VALVE SEAT INSERT	AR	X	X	
16	CD13979	VALVE SEAT INSERT	4	X	X	
17	R52251	INTAKE VALVE	4	X	X	TK=STANDARD
17	R57332	INTAKE VALVE	AR	X	X	TK=+0,076MM(.003")
17	R57334	INTAKE VALVE	AR	X	X	TK=+0,381MM(.015")
17	R57336	INTAKE VALVE	AR	X	X	TK=+0,762MM(.030")
18	R52252	EXHAUST VALVE	4	X	X	TK=STANDARD
18	R57333	EXHAUST VALVE	AR	X	X	TK=+0,076MM(.003")
18	R57335	EXHAUST VALVE	AR	X	X	TK=+0,381MM(.015")
18	R57337	EXHAUST VALVE	AR	X	X	TK=+0,762MM(.030")
19	19H1731	CAP SCREW	2	X	X	3/8"X1"
20	T20072	PLATE	1	X	X	
21	T28041	SHAFT KEY	1	X	X	
22	RE14972	CAMSHAFT	1	X	X	(SUB FOR AR79623)
23	T20073	TAPPET	8	X	X	
24	R76537	SCREW	8	X	X	(ORD RE19031)
25	AR103770	ROCKER ARM	8	X	X	(ORD RE19031)



CE 17147

<https://www.ebooklibonline.com>

Hello dear friend!

Thank you very much for reading.

Enter the link into your browser.

The full manual is available for immediate download.

<https://www.ebooklibonline.com>