

CD 36201

KEY	PART NO.	PART NAME	QTY	1640	1840	2040	REMARKS	
1	AT18015	VALVE COVER	1	X	X	X		
2	AR100124	SCREW WITH WASHER	8	X	X	X	(SUB FOR AR45530)	
3	R68227	GASKET	1	X	X	X	(ORDER R73521) (ORDER W/ (8) AR100124)	
3	R73521	GASKET	AR	X	X	X		

<https://www.ebooklibonline.com>

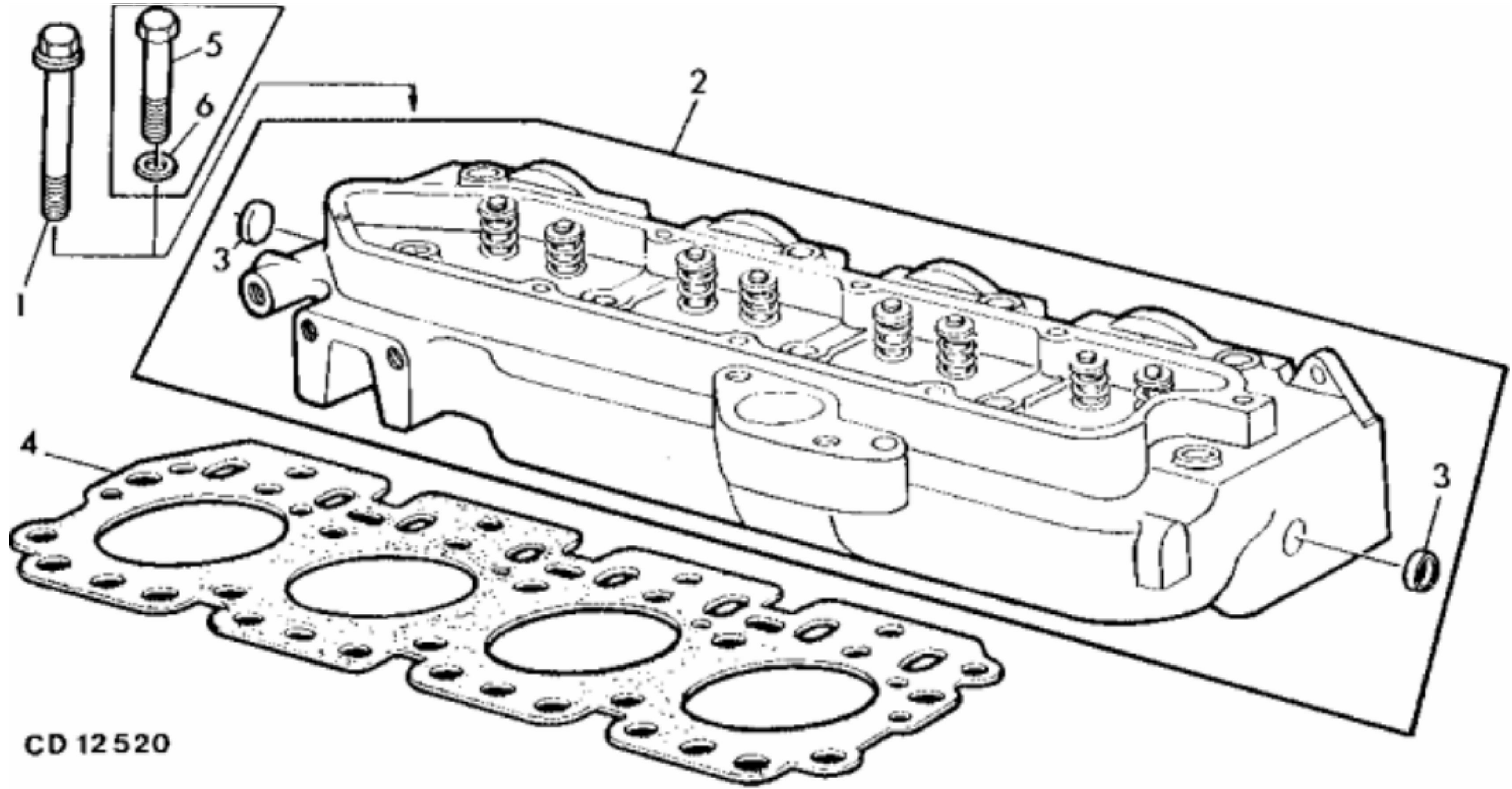
Hello dear friend!

Thank you very much for reading.

Enter the link into your browser.

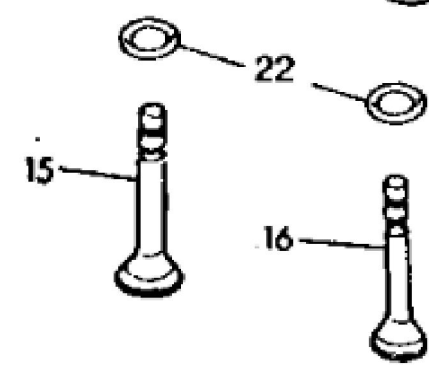
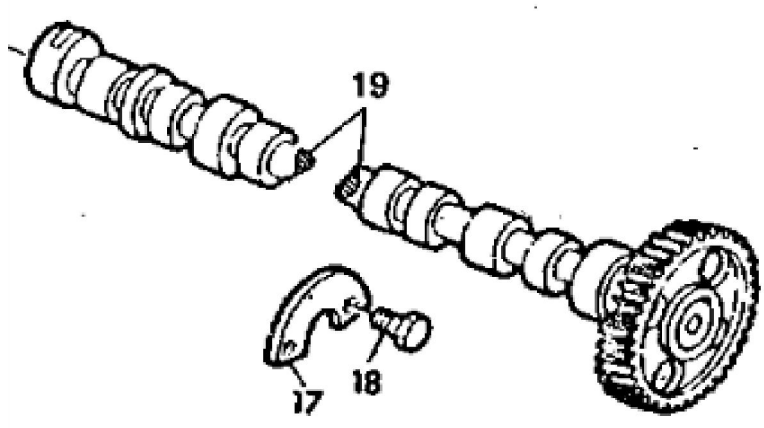
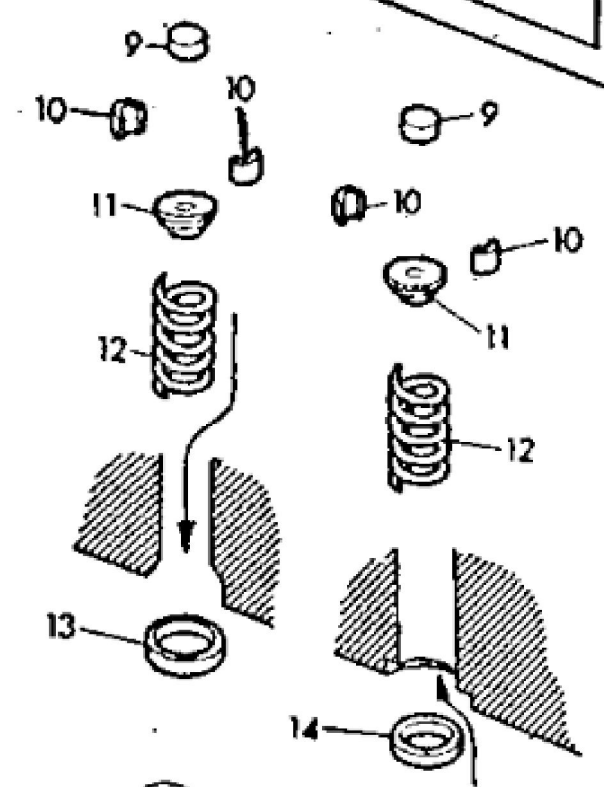
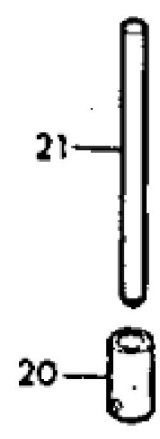
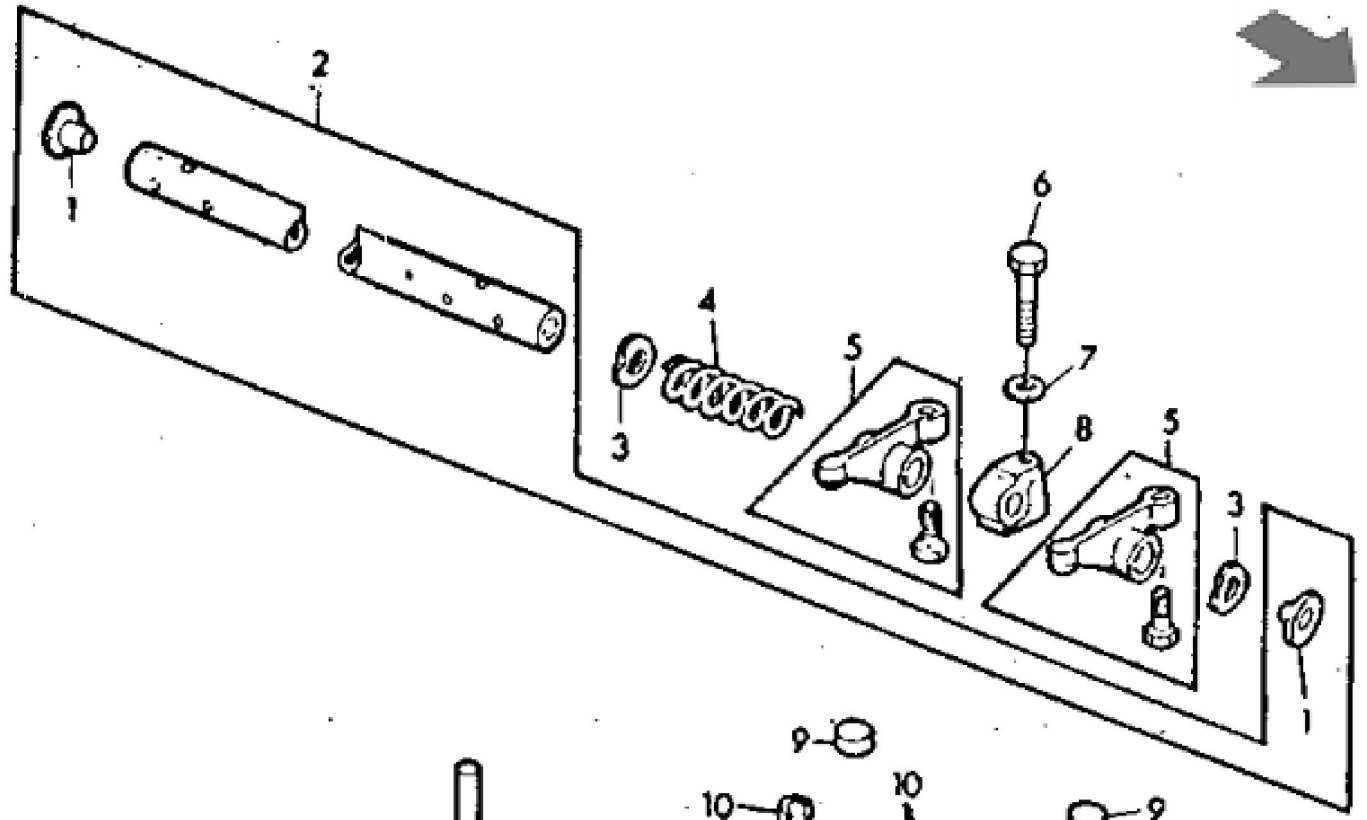
The full manual is available for immediate download.

<https://www.ebooklibonline.com>



CD 12520

KEY	PART NO.	PART NAME	QTY	1640	1840	2040	REMARKS
1	R85363	CAP SCREW	AR	X	X	X	12 7MMX112MM(0.5"X4.41"), (FOR RE25575, RE25595)
2	RE56308	CYLINDER HEAD	1	X	X	X	(MARKED R54560 OR R56790) (SUB FOR AR70589)
2	SE501590	CYLINDER HEAD REMAN	1	X	X	X	(MARKED R54560 OR R56790) (REMAN FOR RE56308)
3	N102039	PLUG	2	X	X	X	OD= 25.68 MM(1"), (SUB FOR A3910R)
3	CD16284	PLUG	AR	X	X	X	OD= 32 4MM(1.274")
4	R515274	ENGINE CYLINDER HEAD GASKET	1	X	X	X	(SUB FOR R59448, R92425)
5	R53223	CAP SCREW	18	X	X	X	12 7MMX108MM(0.5"X4.25"), (FOR AR71007, AR97217, AR97218, DD11832, RE16815)
6	T20168	WASHER	18	X	X	X	(FOR R53223)



CD35016



Suggest:

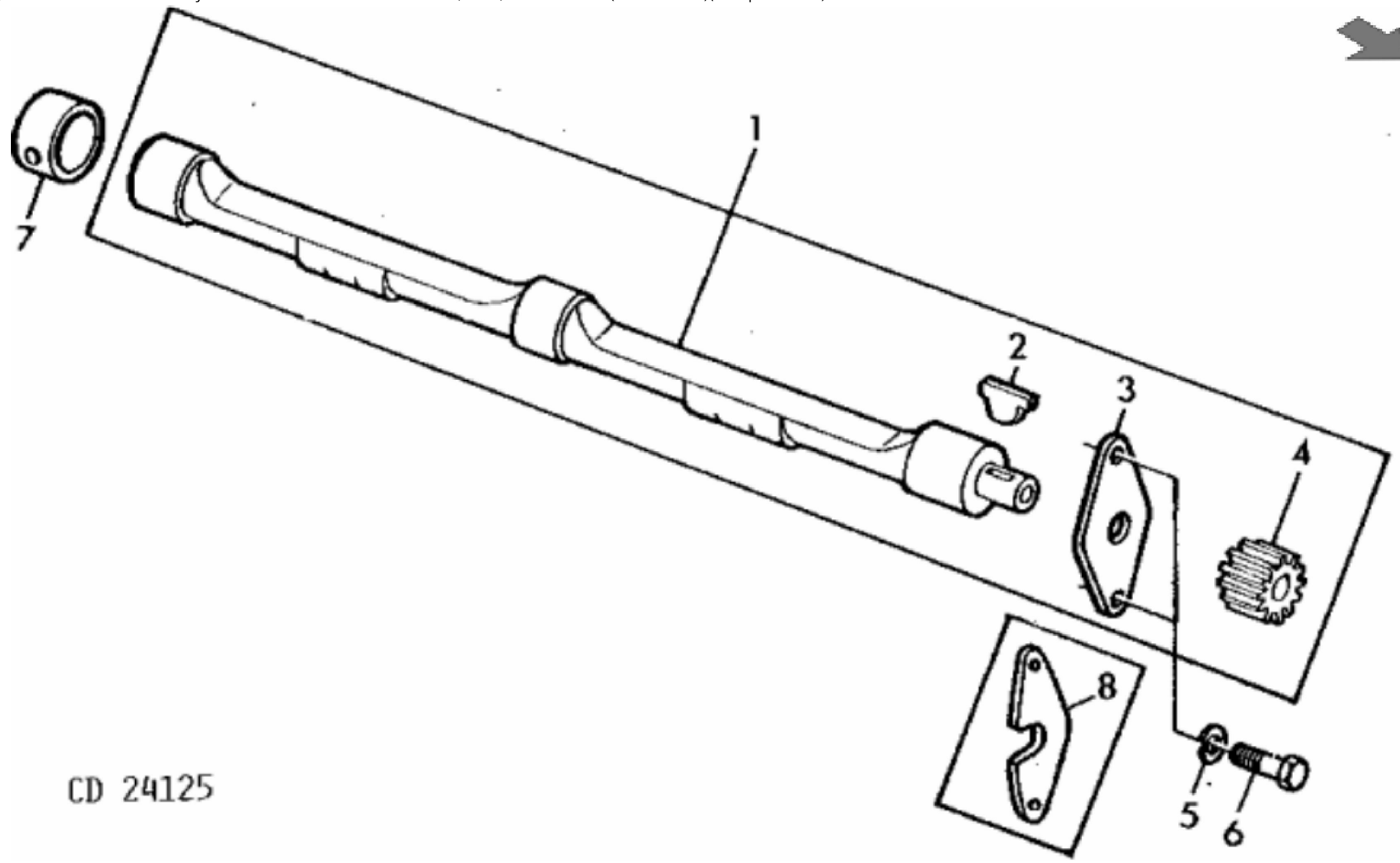
For more complete manuals. Please go to the home page.

<https://www.ebooklibonline.com>

If the above button click is invalid. Please download this document first, and then click the above link to download the complete manual.

Thank you so much for reading

KEY	PART NO.	PART NAME	QTY	Serial No.	1640	1840	2040	REMARKS
1	R54565	PLUG	2		X	X	X	
2	DD12120	ROCKER ARM SHAFT	1		X	X	X	NLA, (ORDER RE519736 AND (8) R515095)
3	T20316	WASHER	2		X	X	X	
4	T20314	SPRING	3		X	X	X	
5	RE31973	ROCKER ARM	8		X	X	X	(ORDER RE508317 AND R515095)
6	19H3031	CAP SCREW	4		X	X	X	3/8" X 2-1/2"
7	R42729	WASHER	4		X	X	X	
8	T20315	SUPPORT	4		X	X	X	(ORDER R123161 AND R504813)
9	T20129	CAP	8		X	X	X	
10	T20077	RETAINER	16		X	X	X	
11	R20176	CAP	8	____-811234	X	X	X	NLA, FOR R52251 AND R52252, (ORDER RE11410, R79623 OR R79624 AND R87627)
11	RE11410	ROTATOR	8	811235-____	X	X	X	(SUB FOR T21076, R41412)
12	R26125	SPRING	8		X	X	X	
13	R97779	VALVE SEAT INSERT	AR		X	X	X	(SUB FOR CD14725)
14	R97778	VALVE SEAT INSERT	4		X	X	X	(SUB FOR CD13979)
15	R79623	INTAKE VALVE	4		X	X	X	OD= STANDARD, (SUB FOR R52251)
15	R79628	INTAKE VALVE	AR		X	X	X	OD= 0.076MM(0.003"), (SUB FOR R57332)
15	R79629	INTAKE VALVE	AR		X	X	X	OD= 0.381MM(0.015")
15	R79630	INTAKE VALVE	AR		X	X	X	OD= 0.762MM(0.030"), NLA, (SUB FOR R57334 OR R57336)
16	R79624	EXHAUST VALVE	4		X	X	X	OD= STANDARD, (SUB FOR R52252)
16	R79625	EXHAUST VALVE	AR		X	X	X	OD= 0.076MM(0.003"), (SUB FOR R57333)
16	R79626	EXHAUST VALVE	AR		X	X	X	OD= 0.381MM(0.015")
16	R79627	EXHAUST VALVE	AR		X	X	X	OD= 0.762MM(0.030"), NLA, (SUB FOR R57335, R57337)
17	T20072	PLATE	1		X	X	X	
18	19H2676	CAP SCREW	2		X	X	X	3/8" X 1"
19	RE14972	CAMSHAFT	1		X	X	X	(MARKED R79344) (ORDER RE55901) (SUB FOR AR79623) (MARKED T20014)
20	T20073	CAM FOLLOWER	8		X	X	X	
21	T20310	PIN	8		X	X	X	(ORDER R515095 AND RE508317)
22	R87627	O-RING	AR		X	X	X	(ORDER W/ R41412)



CD 24125

<https://www.ebooklibonline.com>

Hello dear friend!

Thank you very much for reading.

Enter the link into your browser.

The full manual is available for immediate download.

<https://www.ebooklibonline.com>