

RWP5575

KEY	PART NO.	PART NAME	QTY	REMARKS
1	AR70582	CYLINDER HEAD	1	(MARKED R58685) (SUB FOR AT21799) (SUB RE56309)
2	A3910R	PLUG	2	
3	R80241	GASKET	1	(STANDARD) (SUB FOR R59447 OR R64151) (SUB FOR R52789, THIS APPLICATION) (SUB R97356)
4	T20168	WASHER	14	
5	R53223	CAP SCREW	14	
6	R495R	O-RING	1	
7	T20074	TUBE	1	(VENTILATOR OUTLET)
8	R40791	CLAMP	1	
9	24H1685	WASHER	1	11/32" X 47/64" X 0.083"
10	19H1813	CAP SCREW	1	5/16" X 5/8"
11	AR45530	SCREW WITH WASHER	6	(SUB AR103811)
12	AT18016	VALVE COVER	1	
13	T24151	CLAMP	1	
14	R75729	GASKET	1	(SUB FOR T20111 OR AR102261) (ALSO ORDER (6) AR100124)

**<https://www.ebooklibonline.com>**

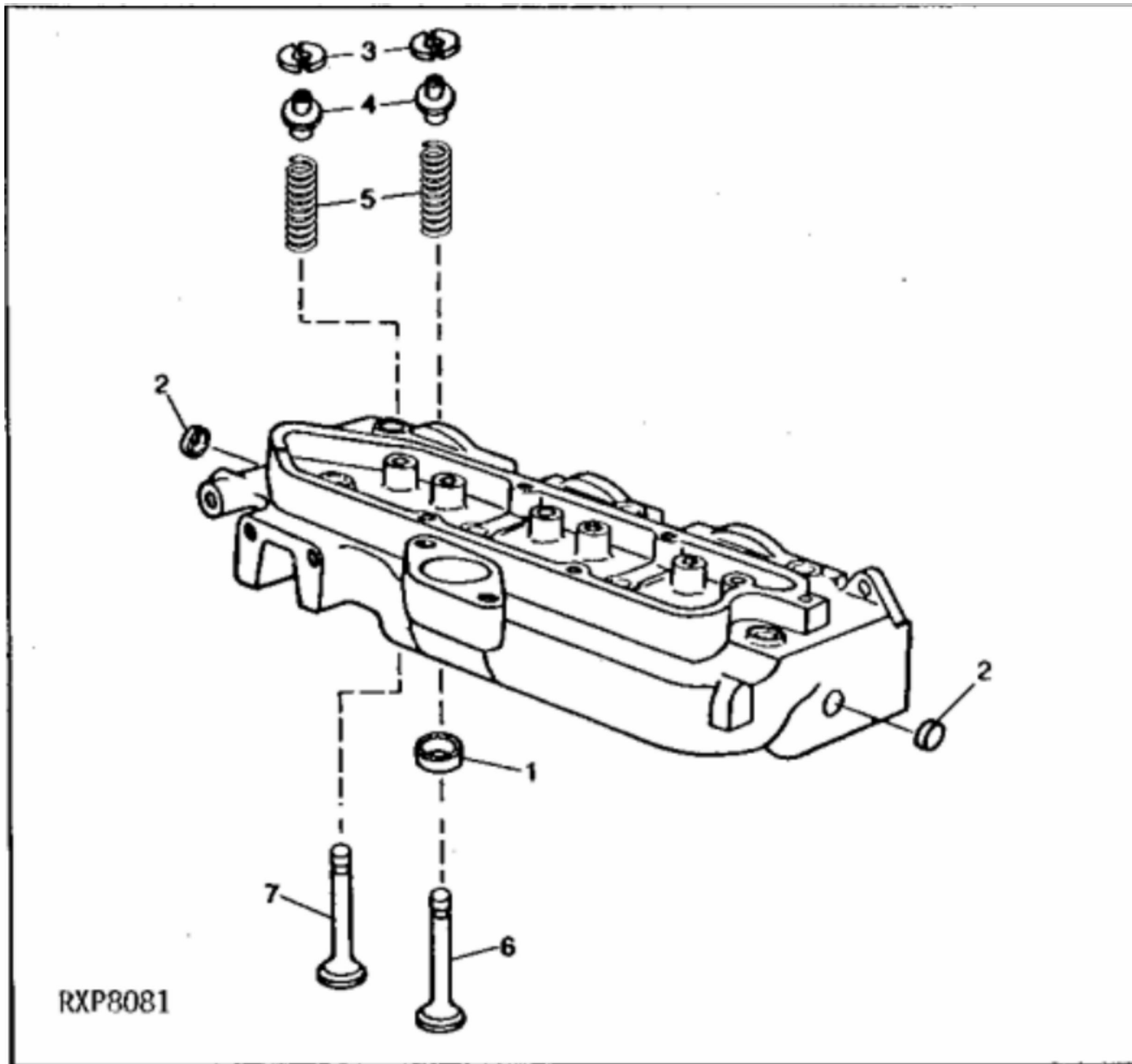
Hello dear friend!

Thank you very much for reading.

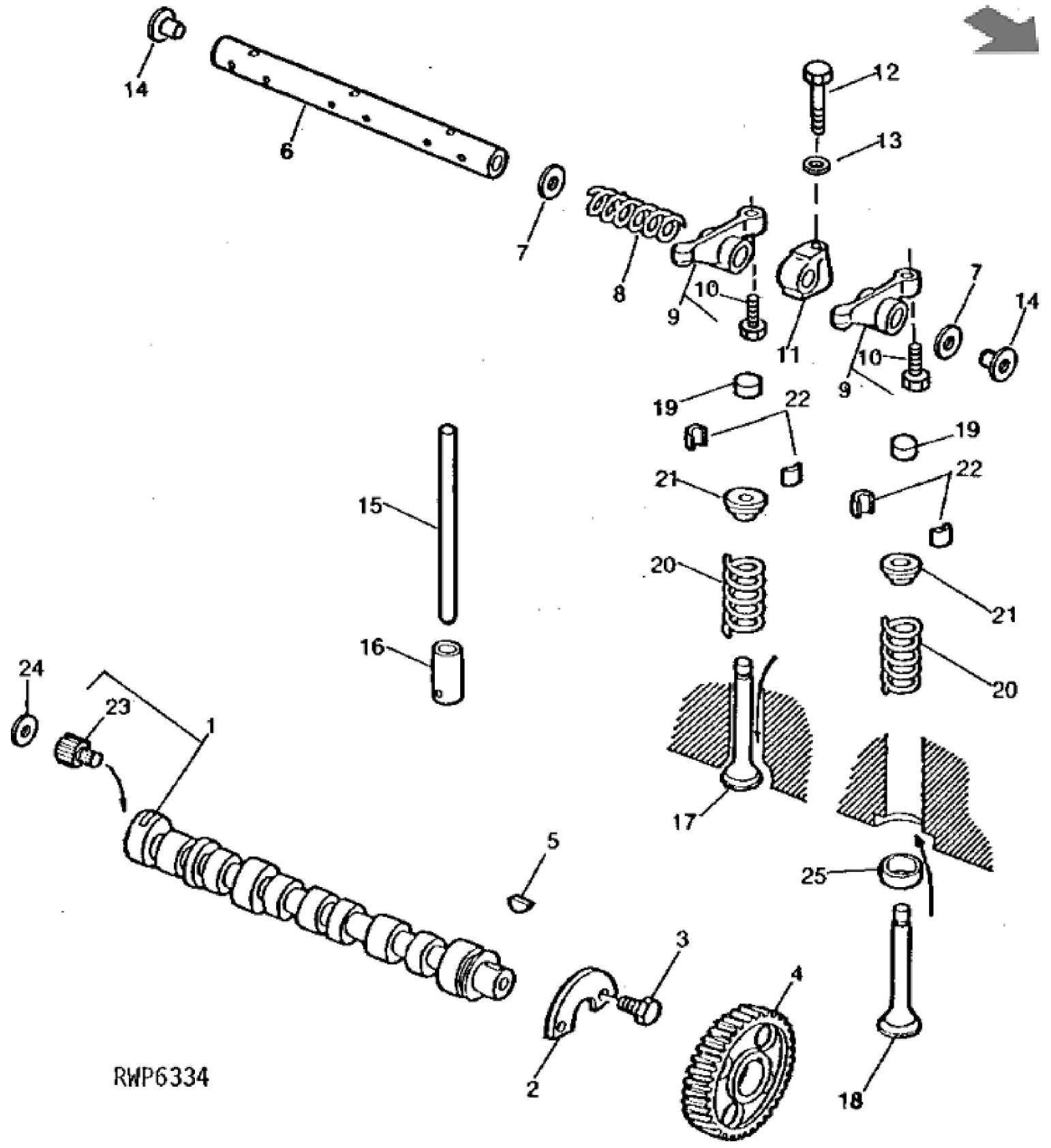
Enter the link into your browser.

The full manual is available for immediate download.

**<https://www.ebooklibonline.com>**



KEY	PART NO.	PART NAME	QTY	REMARKS	
1	R51734	VALVE SEAT INSERT	3		
2	CD16284	PLUG	2		
3	T20077	RETAINER	12		
4	R41412	CAP	6		
5	R26125	SPRING	6		
6	R79624	EXHAUST VALVE	3		
7	R79623	INTAKE VALVE	3		
8	AR70583	CYLINDER HEAD	1	(MARKED R58686) (SUB RE56309)	



RWP6334



**Suggest:**

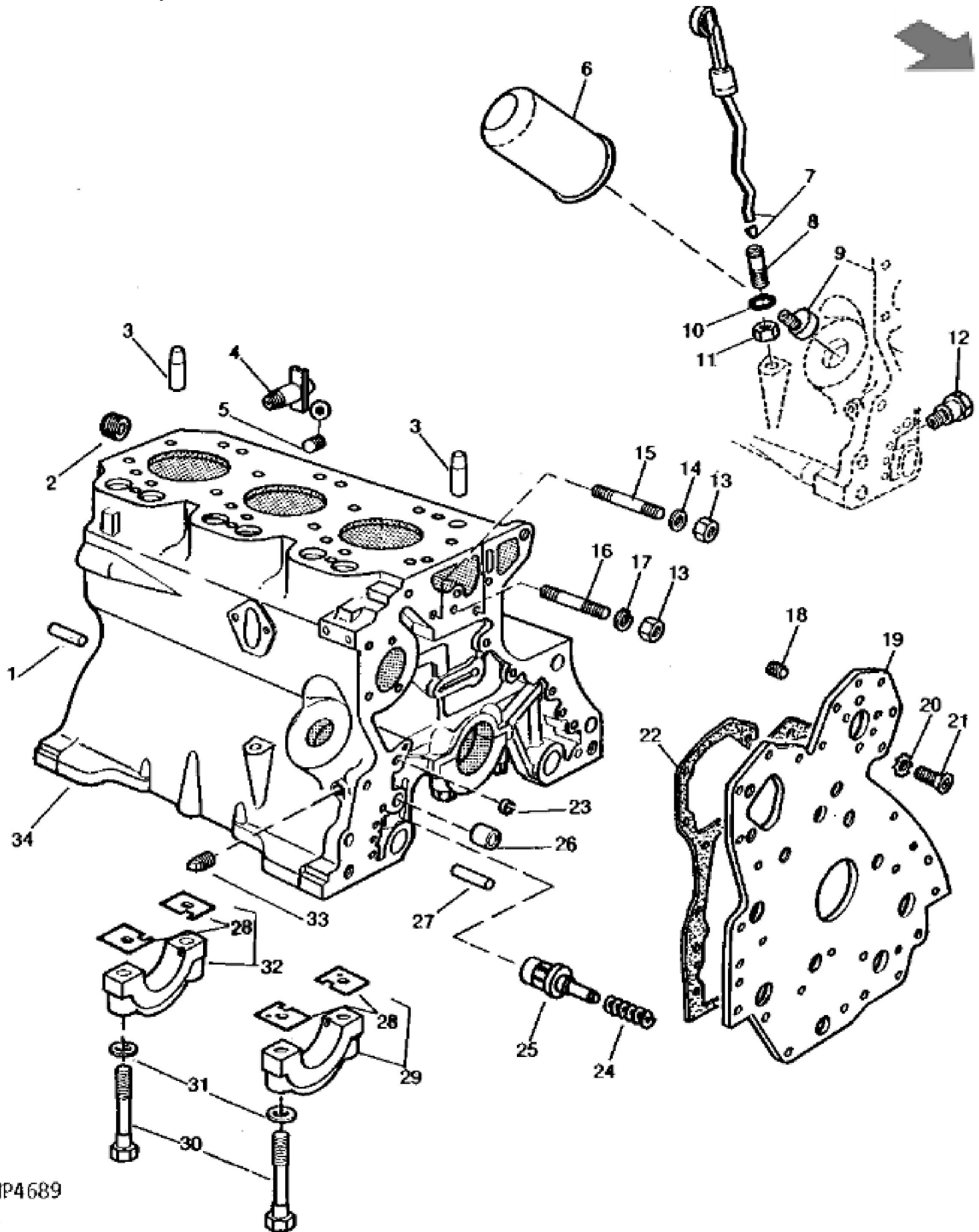
**For more complete manuals. Please go to the home page.**

**<https://www.ebooklibonline.com>**

**If the above button click is invalid. Please download this document first, and then click the above link to download the complete manual.**

**Thank you so much for reading**

KEY	PART NO.	PART NAME	QTY	REMARKS
1	AT18053	CAMSHAFT	1	(MARKED T20016 OR T20015) (SUB FOR AT18055 OR R81516) (SUB R82819 AND R81513)
2	T20072	PLATE	1	
3	19H1731	CAP SCREW	2	3/8" X 1"
4	T20070	HELICAL GEAR	1	
5	T28041	SHAFT KEY	1	
6	DD12119	ROCKER ARM SHAFT	1	(ALSO ORDER (2) R54565) (SUB FOR R54985)
7	T20316	WASHER	2	
8	T20314	SPRING	2	
9	RE19031	ROCKER ARM	6	(SUB FOR AR103769 OR AT32150) (SUB RE31973)
10	.....	SCREW	1	(ORDER RE31973)
11	T20315	SUPPORT	3	
12	19H1733	CAP SCREW	3	3/8" X 2-1/2"
13	24M7106	WASHER	3	10 X 18 X 2.500 MM
14	T23469	PLUG	2	(USE WITH T23468)
14	R54565	PLUG	2	(USE WITH DD12119)
15	T20310	PIN	6	(SUB R82896)
16	T20073	TAPPET	6	
17	R52251	INTAKE VALVE	3	STANDARD STEM, (SUB R79623)
17	R57332	INTAKE VALVE	3	(A) 0.08 MM (.003") (SUB FOR T23546) (SUB R79628)
17	R57334	INTAKE VALVE	3	(A) 0.38 MM (.015") (SUB FOR T23547) (SUB R79629)
17	R57336	INTAKE VALVE	3	(A) 0.76 MM (.030") (SUB FOR T23548) (SUB R79630)
18	R52252	EXHAUST VALVE	3	STANDARD STEM, (SUB R79624)
18	R57333	EXHAUST VALVE	3	(A) 0.08 MM (.003") (SUB FOR T23549) (SUB R79625)
18	R57335	EXHAUST VALVE	3	(A) 0.38 MM (.015") (SUB FOR T23550) (SUB R79626)
18	R57337	EXHAUST VALVE	3	(A) 0.76 MM (.030") (SUB FOR T23551) (SUB R79627)
19	T20129	CAP	6	
20	R26125	SPRING	6	
21	T20176	RETAINER	6	(SUB R41412)
22	T20077	RETAINER	12	
23	T20071	DRIVE SHAFT	1	(USE WITH T20016 OR T20015)
23	R81513	DRIVE SHAFT	1	(USE WITH R81516 OR R82819)
24	T20304	WASHER	1	
25	CD13979	VALVE SEAT INSERT	3	(WHEN REQUIRED) (EXHAUST) (SUB R97778)



RWP4689

**<https://www.ebooklibonline.com>**

Hello dear friend!

Thank you very much for reading.

Enter the link into your browser.

The full manual is available for immediate download.

**<https://www.ebooklibonline.com>**