

KEY	PART NO.	PART NAME	QTY	Engine Serial No.	REMARKS
1	AR70583	CYLINDER HEAD	1		(DIESEL) (MARKED T24755 OR R58685) (SUB FOR AT21799 OR AR70582) (SUB RE56309)
1	AT21332	CYLINDER HEAD	1		(GASOLINE) (MARKED T19974)
2	A3910R	PLUG	2		(SUB N102039)
3	15H559	PIPE PLUG	1	____-083276	1/4"
4	R98460	ENGINE CYLINDER HEAD GASKET	1		(SUB FOR T20039 OR R52789)
5	T20183	CAP SCREW	14		(DIESEL)
5	T20182	CAP SCREW	11		(GASOLINE) (SUB R85363)
5	T20184	BOLT	3		(GASOLINE)
6	T20168	WASHER	14		(SUB FOR M2834T)
7	AT18016	VALVE COVER	1		
8	T20111	GASKET	1		(SUB AR102261)
9	AR45530	SCREW WITH WASHER	6		(SUB FOR AR27702) (SUB AR103811)
10	T24151	CLAMP	2	____-017291	
10	T24151	CLAMP	1	017292-____	
11	T20074	TUBE	1		
12	R495R	O-RING	1		
13	R40791	CLAMP	1		(SUB FOR A4656R)
14	19H1813	CAP SCREW	1		5/16" X 5/8"
15	24H1685	WASHER	1		11/32" X 47/64" X 0.083"

<https://www.ebooklibonline.com>

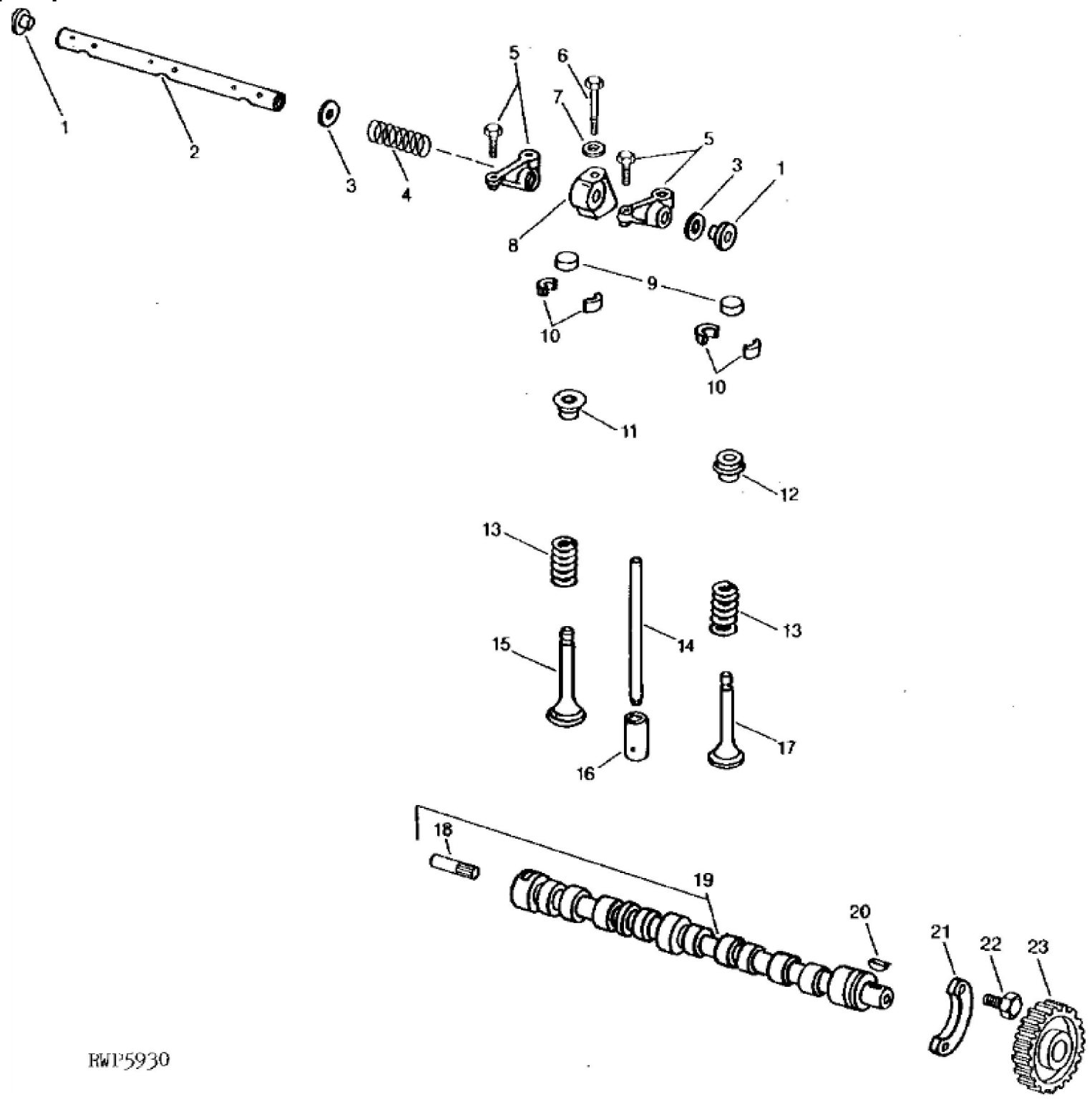
Hello dear friend!

Thank you very much for reading.

Enter the link into your browser.

The full manual is available for immediate download.

<https://www.ebooklibonline.com>



RW15930

KEY	PART NO.	PART NAME	QTY	Engine Serial No.	REMARKS
1	R54565	PLUG	2		
2	R54985	ROCKER ARM SHAFT	1		(ALSO ORDER (2) R54565) (SUB DD12119)
3	T20316	WASHER	2		
4	T20314	SPRING	2		
5	AT31250	ROCKER ARM	6	____-098107	(SUB FOR AT18129 OR AT22665) (SUB RE31973)
5	AT31250	ROCKER ARM	6	098108-____	(SUB RE31973)
6	19H1733	CAP SCREW	3		3/8" X 2-1/2"
7	R42729	WASHER	3		(SUB FOR T23594)
8	T20315	SUPPORT	3		
9	T20129	CAP	6		(A)
10	T20077	RETAINER	12		
11	R41412	CAP	3		(A) (SUB FOR T20176)
11	T20169	CAP	3		(B)
11	R27976	O-RING	3		(B)
12	R41412	CAP	3		(A) (SUB FOR T20176)
12	T20287	ROTATOR	3		(B)
13	R26125	SPRING	6		
14	T20310	PIN	6		(A) (SUB R82896)
14	T20297	PUSH ROD	6		(B)
15	R79623	INTAKE VALVE	3		(A) (SUB FOR T20174 OR R52251)
15	R79628	INTAKE VALVE	3		(A) 0.08 MM (.003") OVERSIZE, (SUB FOR T23546 OR R57332)
15	R79629	INTAKE VALVE	3		(A) 0.38 MM (.015") OVERSIZE, (SUB FOR T23547 OR R57334)
15	R79630	INTAKE VALVE	3		(A) 0.76 MM (.030") OVERSIZE, (SUB FOR T23548 OR R57336)
15	T25466	INTAKE VALVE	3		(B) (SUB FOR T23477)
15	T26175	INTAKE VALVE	3		(B) 0.08 MM (.003") OVERSIZE, (SUB FOR T23540)
15	T26176	INTAKE VALVE	3		(B) 0.38 MM (.015") OVERSIZE, (SUB FOR T23541)
15	T26177	INTAKE VALVE	3		(B) 0.76 MM (.030") OVERSIZE, (SUB FOR T23542)
16	T20073	TAPPET	6		
17	R79624	EXHAUST VALVE	3		(A) (SUB FOR T20175 OR R52252)
17	R79625	EXHAUST VALVE	3		(A) 0.08 MM (.003") OVERSIZE, (SUB FOR T23549 OR R57333)



Suggest:

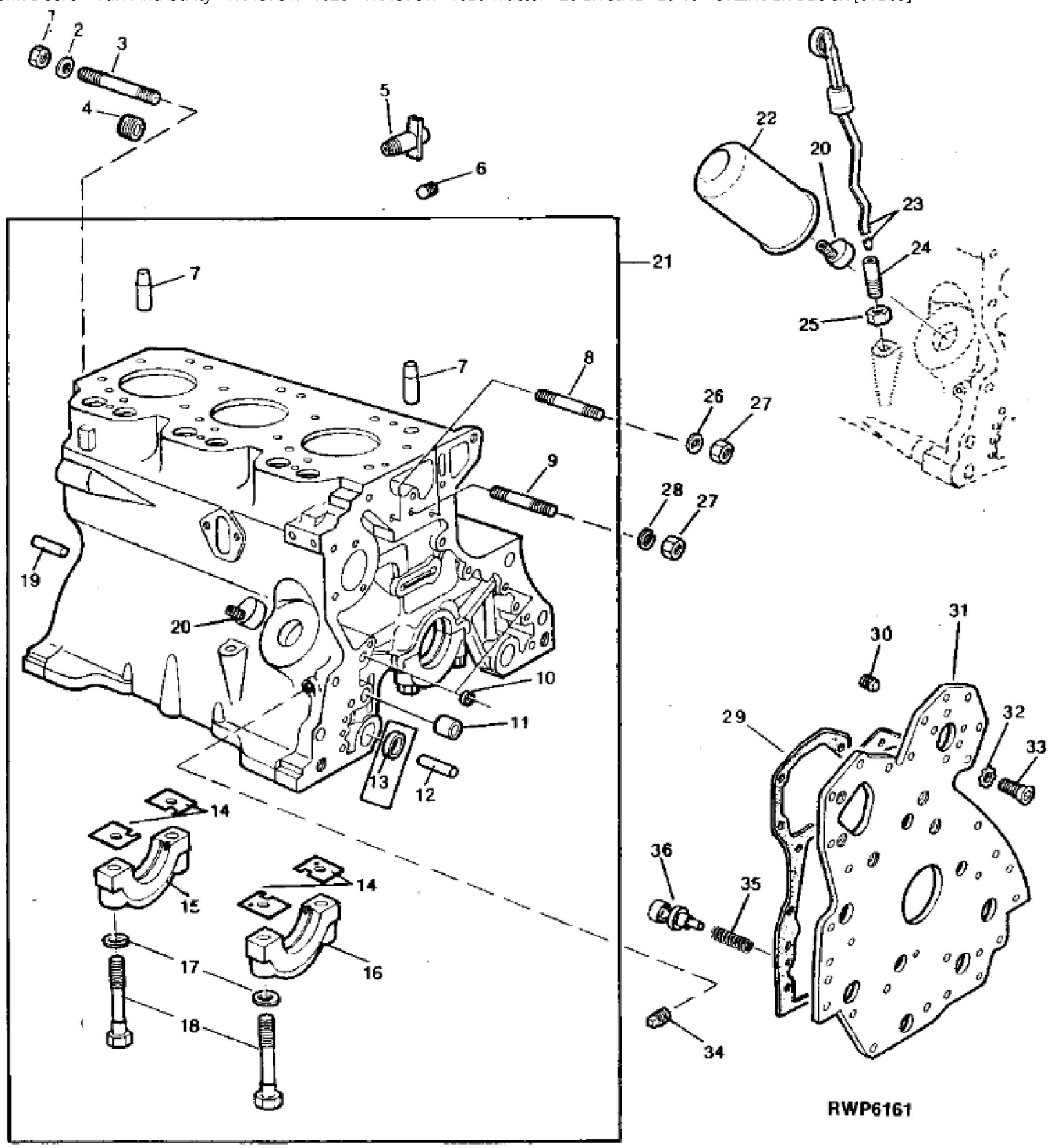
For more complete manuals. Please go to the home page.

<https://www.ebooklibonline.com>

If the above button click is invalid. Please download this document first, and then click the above link to download the complete manual.

Thank you so much for reading

KEY	PART NO.	PART NAME	QTY	Engine Serial No.	REMARKS
17	R79626	EXHAUST VALVE	3		(A) 0.38 MM (.015") OVERSIZE, (SUB FOR T23550 OR R57335)
17	R79627	EXHAUST VALVE	3		(A) 0.76 MM (.030") OVERSIZE, (SUB FOR T23551 OR R57337)
17	T25467	EXHAUST VALVE	3		(B) (SUB FOR T20286)
17	T26178	EXHAUST VALVE	3		(B) 0.08 MM (.003") OVERSIZE, (SUB FOR T23543)
17	T26179	EXHAUST VALVE	3		(B) 0.38 MM (.015") OVERSIZE, (SUB FOR T23544)
17	T23545	EXHAUST VALVE	3		(B) 0.76 MM (.030") OVERSIZE
18	T20071	DRIVE SHAFT	1		(USE WITH T20015)
18	R81513	DRIVE SHAFT	1		(USE WITH R82819)
19	R82819	CAMSHAFT	1		(MARKED T20015) (SUB FOR R81516) (SUB R82819 AND R81513)
20	T28041	SHAFT KEY	1		
21	T20072	PLATE	1		
22	19H1731	CAP SCREW	2		3/8" X 1"
23	T20070	HELICAL GEAR	1		(48 TEETH)



RWP6161

<https://www.ebooklibonline.com>

Hello dear friend!

Thank you very much for reading.

Enter the link into your browser.

The full manual is available for immediate download.

<https://www.ebooklibonline.com>