

KEY	PART NO.	PART NAME	QTY	Engine Serial No.	REMARKS
1	19H2657	CAP SCREW	6		5/16" X 3-1/8"
1	19H2654	CAP SCREW	8		5/16" X 4-5/8"
2	AT11774	VALVE COVER	1		(SUB FOR AT15075) (NO LONGER AVAILABLE)
3	T11135	PLUG	1		(NEVER USED)
4	T13188	GASKET	1		(A)
5	T11317	GASKET	1		
6	AT12300	TUBE	1		
7	12H303	LOCK WASHER	2		5/16"
8	19H1913	CAP SCREW	2		5/16" X 2-1/4"
9	T11140	CAP SCREW	5		
9	T11141	BOLT	5		
10	T12526	WASHER	10		
11	T11211	GUIDE	8	____-013071	
11	T15683	GUIDE	8	013072-____	
12	M1102T	PLUG	1	____-015226	
12	15H560	PIPE PLUG	1	015227-____	1/16"
13	T11213	DOWEL PIN	2		(NO LONGER AVAILABLE)
14	T16573	PIN	4		(SUB FOR T11212)
15	AT17377	CYLINDER HEAD	1		(SUB FOR AT13965, AT11650, AT14185 AND AT15753) (MARKED T17514)
16	T12450	BUSHING	2		
17	AT16541	GASKET	1		(SUB FOR AT14678 OR AT15707) (SUB R99079)
18	T13188	GASKET	1	____-026979	(A)
19	AT14990	TUBE	1	____-026979	(A) (SUB AT14989)
..	AT14989	KIT	1	____-026979	VENT TUBE REPAIR

**<https://www.ebooklibonline.com>**

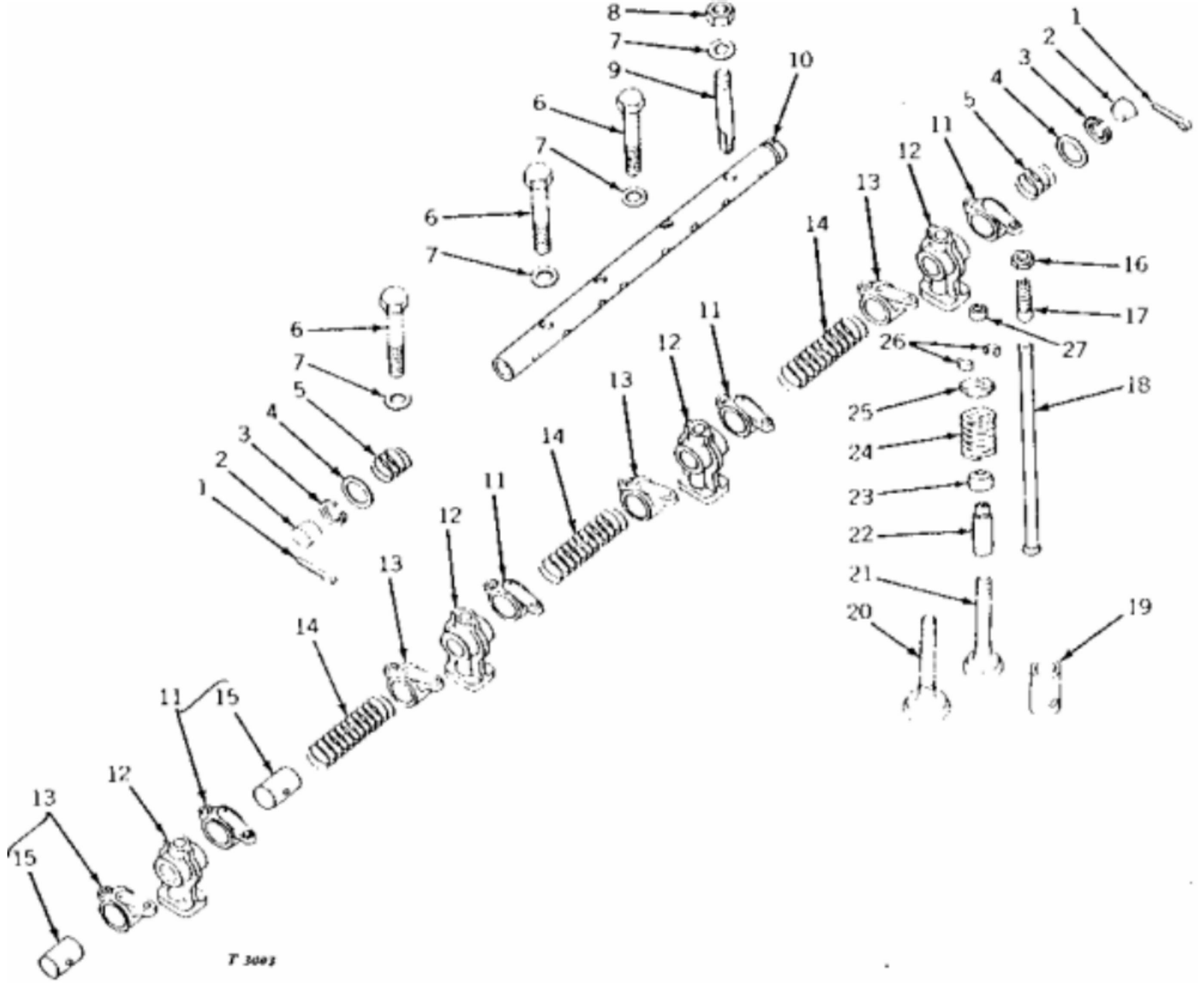
Hello dear friend!

Thank you very much for reading.

Enter the link into your browser.

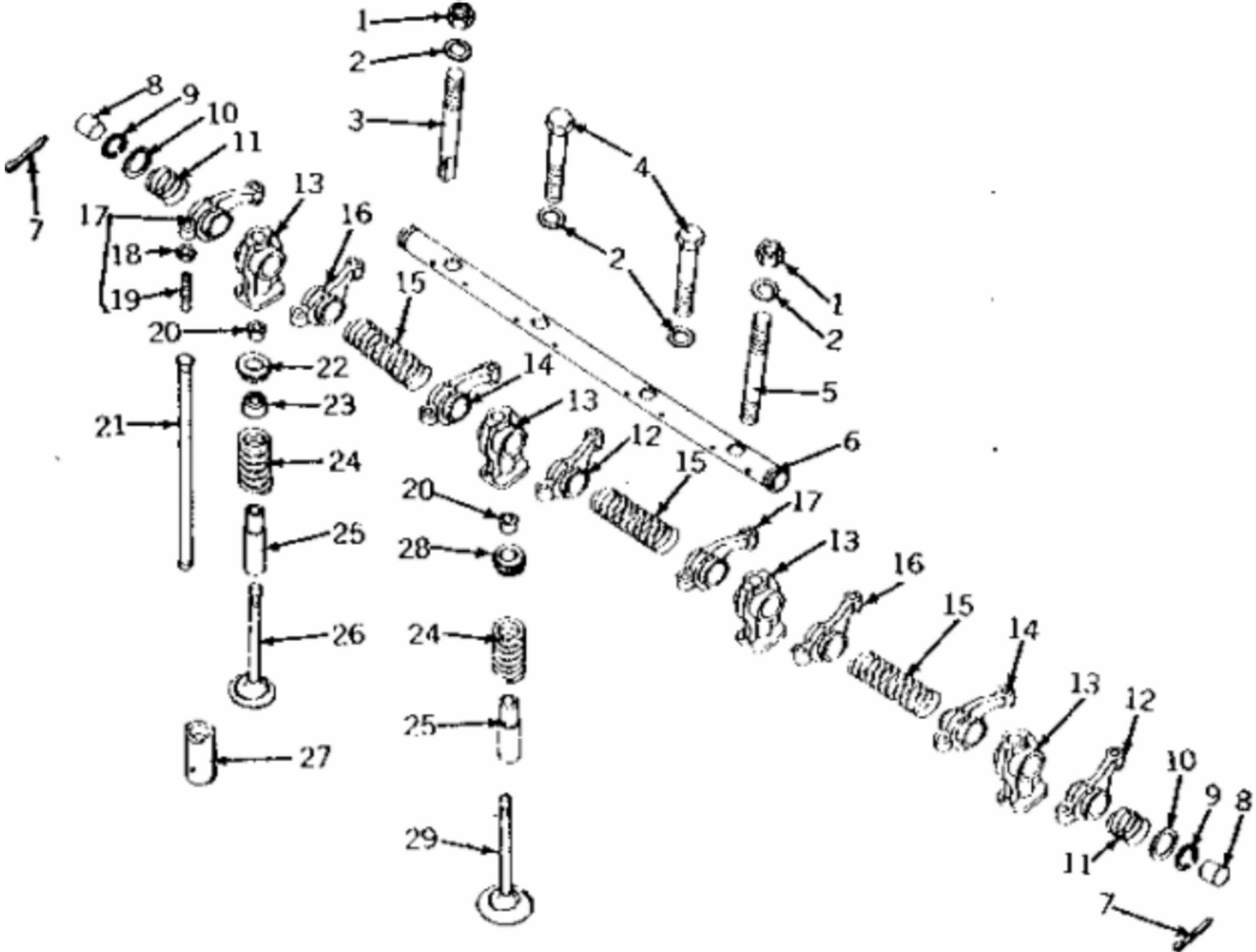
The full manual is available for immediate download.

**<https://www.ebooklibonline.com>**



T 3003

KEY	PART NO.	PART NAME	QTY	Engine Serial No.	REMARKS
1	11M7086	COTTER PIN	2		0.098" X 1.969"
2	T169T	PLUG	2		
3	T173T	SNAP RING	2		
4	24H1660	WASHER	2		57/64" X 1-3/8" X 0.060"
5	T11328	COMPRESSION SPRING	2		
6	19H2058	CAP SCREW	3		7/16" X 3-3/4"
7	24H1325	WASHER	4		15/32" X 59/64" X 0.065"
8	14H807	NUT	1		7/16"
9	T572T	STUD	1		
10	T474T	ROCKER ARM SHAFT	1		
11	AT11112	ROCKER ARM	4		(NO. 2 AND 4 EXHAUST AND NO. 1 AND 3 INTAKE)
12	AT136T	BRACKET	4		
13	AT11111	ROCKER ARM	4		(NO. 1 AND 3 EXHAUST AND NO. 2 AND 4 INTAKE)
14	T171T	SPRING	3		
15	T11325	BUSHING	8		
16	14H934	NUT	8		7/16"
17	.....	PUSH ROD	8		(ORDER M74T)
18	AT339T	ROD	8		
19	T175T	TAPPET	8		
20	T11217	EXHAUST VALVE	4	____-013071	
20	T30120	EXHAUST VALVE	4	013072-____	(ALSO ORDER (2) T30118) (SUB FOR T15685)
21	T12873	INTAKE VALVE	4	____-013071	
21	T30119	INTAKE VALVE	4	013072-____	(ALSO ORDER (2) T30118) (SUB FOR T15686)
22	T11211	GUIDE	8	____-013071	
22	T15683	GUIDE	8	013072-____	
23	AT15246	SEAL	4		(SUB FOR T569T)
24	T555T	SPRING	8		
25	.....	CAP	8	____-013071	(ORDER T554T)
25	T15684	CAP	8	013072-____	
26	T167T	LOCK	16		
27	T15687	CAP	8	013072-____	





**Suggest:**

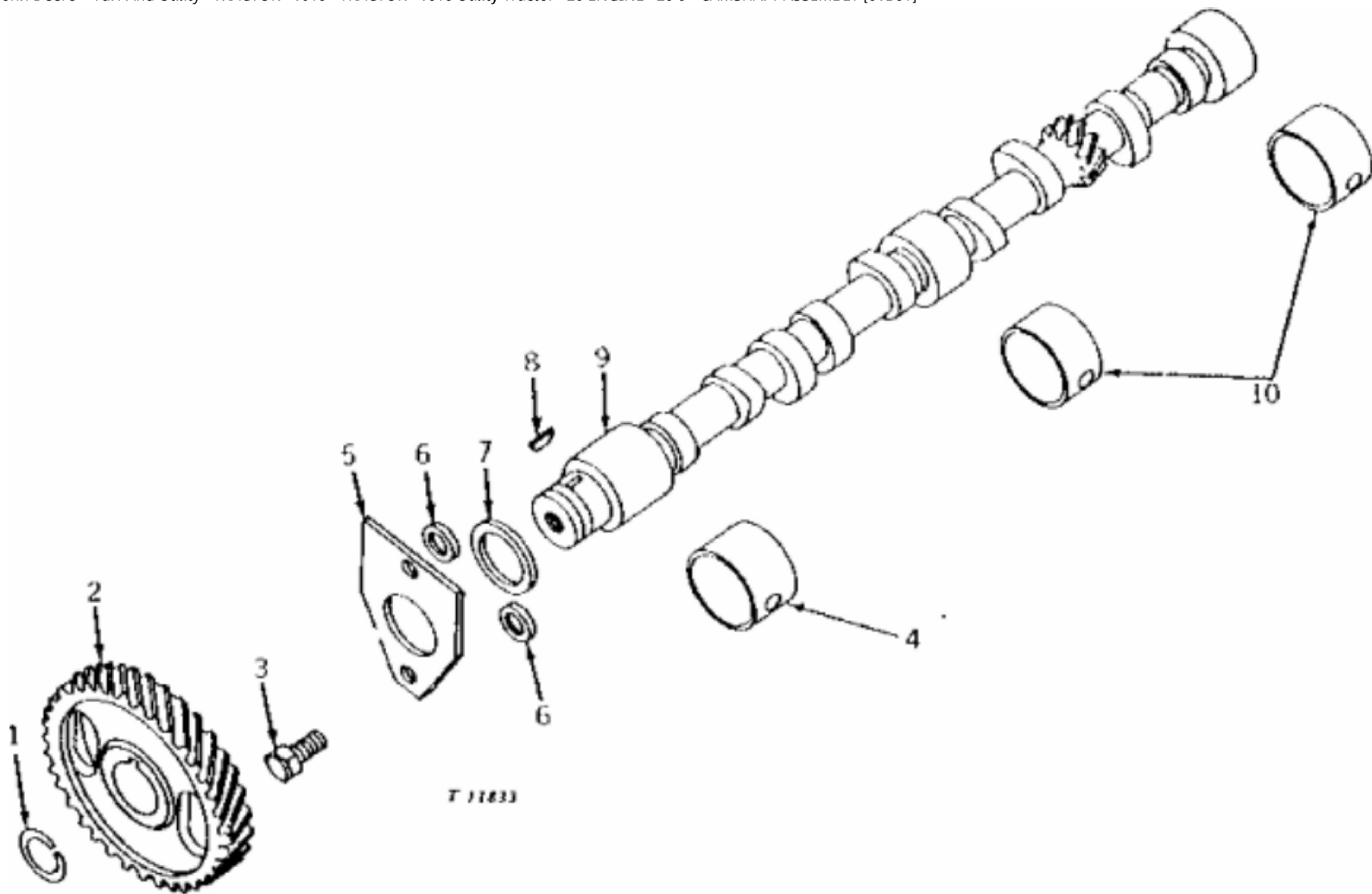
**For more complete manuals. Please go to the home page.**

**<https://www.ebooklibonline.com>**

**If the above button click is invalid. Please download this document first, and then click the above link to download the complete manual.**

**Thank you so much for reading**

KEY	PART NO.	PART NAME	QTY	Engine Serial No.	REMARKS
1	14H807	NUT	2		7/16"
2	24H1325	WASHER	4		15/32" X 59/64" X 0.065"
3	T12454	STUD	1		
4	19H2058	CAP SCREW	2		7/16" X 3-3/4"
5	T12453	STUD	1		(NO LONGER AVAILABLE)
6	T474T	ROCKER ARM SHAFT	1		
7	11M7086	COTTER PIN	2		0.098" X 1.969"
8	T169T	PLUG	2		
9	T173T	SNAP RING	2		
10	24H1660	WASHER	2		57/64" X 1-3/8" X 0.060"
11	T11328	COMPRESSION SPRING	2		
12	AT137T	ARM	2		EXHAUST
13	AT136T	BRACKET	4		
14	AT143T	ARM	2		INTAKE
15	T171T	SPRING	3		
16	AT141T	ARM	2		INTAKE
17	AT139T	ARM	2		EXHAUST
18	14H774	NUT	8		3/8"
19	T170T	SCREW	8		
20	T167T	LOCK	16		
21	AT14308	PUSH ROD	8	____-014547	(SUB FOR AT12070)
21	AT339T	ROD	8	014548-____	
22	.....	CAP	4		(ORDER T554T)
23	AT15246	SEAL	4		(SUB FOR T569T)
24	T555T	SPRING	8		
25	T556T	GUIDE	8		
26	T12356	INTAKE VALVE	4		
27	T175T	TAPPET	8		
28	AT20661	ROTATOR	4		(SUB FOR AT438T)
29	T12357	EXHAUST VALVE	4		



**<https://www.ebooklibonline.com>**

Hello dear friend!

Thank you very much for reading.

Enter the link into your browser.

The full manual is available for immediate download.

**<https://www.ebooklibonline.com>**