

KEY	PART NO.	PART NAME	QTY	REMARKS
1	AM875291	CYLINDER BLOCK	1	(AM875559 SHORT BLOCK)
2	.....	CYLINDER BLOCK	1	(AM875291 CYLINDER BLOCK) (AM875559 SHORT BLOCK) (SUB CH12048) (REFER TO SEPARATE BREAKDOWN)
3	CH10314	PLUG	2	(AM875291 CYLINDER BLOCK) (AM875559 SHORT BLOCK)
4	CH10325	BOLT	1	(AM875291 CYLINDER BLOCK) (AM875559 SHORT BLOCK) 133MM LONG
5	CH10326	BOLT	1	(AM875291 CYLINDER BLOCK) (AM875559 SHORT BLOCK) 145MM LONG
6	CH10065	WASHER	8	(AM875291 CYLINDER BLOCK) (AM875559 SHORT BLOCK)
7	CH10273	FITTING	1	(AM875291 CYLINDER BLOCK) (AM875559 SHORT BLOCK) WATER DRAIN
8	CH10363	PIPE	1	(AM875291 CYLINDER BLOCK) (AM875559 SHORT BLOCK) RADIATOR HOSE
9	CH10087	NUT	8	(AM875291 CYLINDER BLOCK) (AM875559 SHORT BLOCK)
10	CH10465	BUSHING	1	(AM875291 CYLINDER BLOCK) (AM875559 SHORT BLOCK)
11	CH10335	PLUG	1	(AM875291 CYLINDER BLOCK) (AM875559 SHORT BLOCK)
12	CH10183	PACKING	3	(AM875291 CYLINDER BLOCK) (AM875559 SHORT BLOCK) NLA
13	CH15722	STUD	2	(AM875291 CYLINDER BLOCK) (AM875559 SHORT BLOCK)
14	15H562	PIPE PLUG	1	(AM875291 CYLINDER BLOCK) (AM875559 SHORT BLOCK) 1"
15	CH10391	PACKING	1	(AM875291 CYLINDER BLOCK) (AM875559 SHORT BLOCK)
16	CH10532	PIN	1	(AM875291 CYLINDER BLOCK) (AM875559 SHORT BLOCK)
17	CH10534	PIN	2	(AM875291 CYLINDER BLOCK) (AM875559 SHORT BLOCK)
18	CH10535	PIN	2	(AM875291 CYLINDER BLOCK) (AM875559 SHORT BLOCK)
19	CH10561	PLUG	3	(AM875291 CYLINDER BLOCK) (AM875559 SHORT BLOCK)
20	.....	NUT	2	(AM875291 CYLINDER BLOCK) (AM875559 SHORT BLOCK) (SUB 14M7273 AND 12M7065)
21	CH10641	PLUG	1	(AM875291 CYLINDER BLOCK) (AM875559 SHORT BLOCK)
22	CH10642	PLUG	2	(AM875291 CYLINDER BLOCK) (AM875559 SHORT BLOCK)
23	CH10338	THRUST BEARING	1	(AM875291 CYLINDER BLOCK) (AM875559 SHORT BLOCK)
24	CH13597	CYLINDER LINER	3	(AM875559 SHORT BLOCK)
25	.....	CYLINDER LINER	3	(AM875559 SHORT BLOCK) (SUB CH13597)
26	CH13580	O-RING	3	(AM875559 SHORT BLOCK)
27	CH10327	PACKING	3	(AM875559 SHORT BLOCK)

**<https://www.ebooklibonline.com>**

Hello dear friend!

Thank you very much for reading.

Enter the link into your browser.

The full manual is available for immediate download.

**<https://www.ebooklibonline.com>**

KEY	PART NO.	PART NAME	QTY	REMARKS	
28	MIU800109	GASKET	1	(SUB FOR CH10115)	
29	CH10116	FLANGE	1		
30	CH10389	STUD	2		
31	CH15733	OIL PAN	1		
32	.....	OIL PAN	1	(SUB CH15733)	
33	CH10315	PLUG	1		
34	CH10569	PACKING	1		
35	CH19780	BOLT	20	(SUB FOR CH12839)	
36	CH12820	GASKET	1		
37	CH10179	COVER	1		
38	CH12815	GASKET	1		
39	CH12808	SHIM KIT	1	SHIM	
40	.....	SHIM	2	0.2MM, (SUB CH12808)	
41	.....	SHIM	2	0.3MM, (SUB CH12808)	



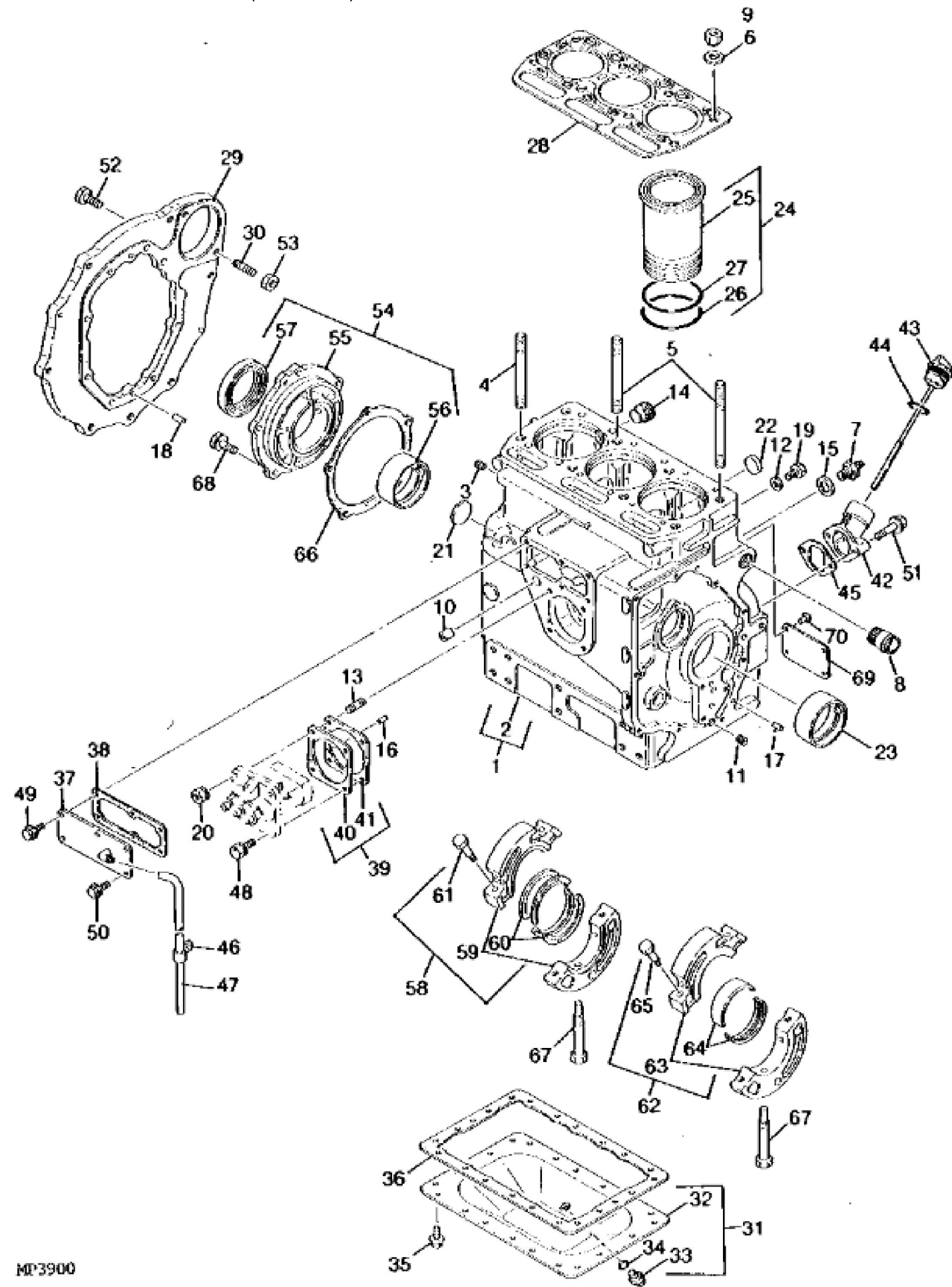
**Suggest:**

**For more complete manuals. Please go to the home page.**

**<https://www.ebooklibonline.com>**

**If the above button click is invalid. Please download this document first, and then click the above link to download the complete manual.**

**Thank you so much for reading**



KEY	PART NO.	PART NAME	QTY	REMARKS
42	CH10173	FLANGE	1	
43	CH10119	DIPSTICK	1	(NLA)
44	CH15414	PACKING	1	
45	CH12818	GASKET	1	
46	CH10331	CLAMP	1	
47	CH10552	PIPE	1	
48	.....	SCREW	2	(SUB 19M7376 AND 12M7065)
49	19M7774	SCREW	4	M6 X 12
50	CH19140	BOLT	2	
51	19M7897	SCREW	2	M8 X 35
52	CH13938	BOLT	8	
53	14M7275	NUT	2	M12
54	CH10681	HOUSING	1	(AM875559 SHORT BLOCK) NLA
55	.....	HOUSING	1	(AM875559 SHORT BLOCK) (SUB CH10681)
56	CH10338	THRUST BEARING	1	(AM875559 SHORT BLOCK)
57	CH10340	SEAL	1	(AM875559 SHORT BLOCK)
58	CH14050	HOUSING	1	(AM875559 SHORT BLOCK)
59	.....	HOUSING	1	(AM875559 SHORT BLOCK) (SUB CH14050)
60	AM875925	BEARING	2	(AM875559 SHORT BLOCK)
61	CH12840	BOLT	2	(AM875559 SHORT BLOCK)
62	CH14051	HOUSING	1	(AM875559 SHORT BLOCK)
63	.....	HOUSING	1	(AM875559 SHORT BLOCK) (SUB CH14051)
64	AM875926	THRUST BEARING	2	(AM875559 SHORT BLOCK)
65	CH12840	BOLT	2	(AM875559 SHORT BLOCK)
66	CH10339	GASKET	1	(AM875559 SHORT BLOCK)
67	CH10124	BOLT	2	(AM875559 SHORT BLOCK)
68	.....	BOLT	5	(SUB 12M7066 AND 19M7402)
69	.....	DECALS	1	(NOT AVAILABLE)
70	CH10061	RIVET	4	
..	AM875559	SHORT BLOCK ASSEMBLY	1	(INCLUDES RINGS, PINS, GEARS, SHAFTS, PISTONS, GASKETS, CAMSHAFT, CRANKSHAFT, OIL PUMP AND HARDWARE)

**<https://www.ebooklibonline.com>**

Hello dear friend!

Thank you very much for reading.

Enter the link into your browser.

The full manual is available for immediate download.

**<https://www.ebooklibonline.com>**