

MP6785

KEY	PART NO.	PART NAME	QTY	REMARKS
1	19M7865	SCREW	2	M8 X 16, (A)
2	M801032	DEFLECTOR	1	(A)
3	M801033	PLATE	1	(A)
4	M801034	O-RING	1	(A)
5	M805710	CAP	1	(A)
6	M805711	PACKING	1	(A)
7	HOSE	1	(MAKE FROM M804268)
8	M801230	GASKET	1	(A)
9	VALVE COVER	1	(A) (ORDER RG60621)
10	CH10568	PACKING	3	
11	CH10348	NUT	3	
12	CH10061	RIVET	4	
13	IDENTIFICATION PLATE	1	
14	M801031	CAP	1	(A)
..	RG60621	COVER	1	(INCLUDES PARTS MARKED (A)) (SUB FOR AT110618)

<https://www.ebooklibonline.com>

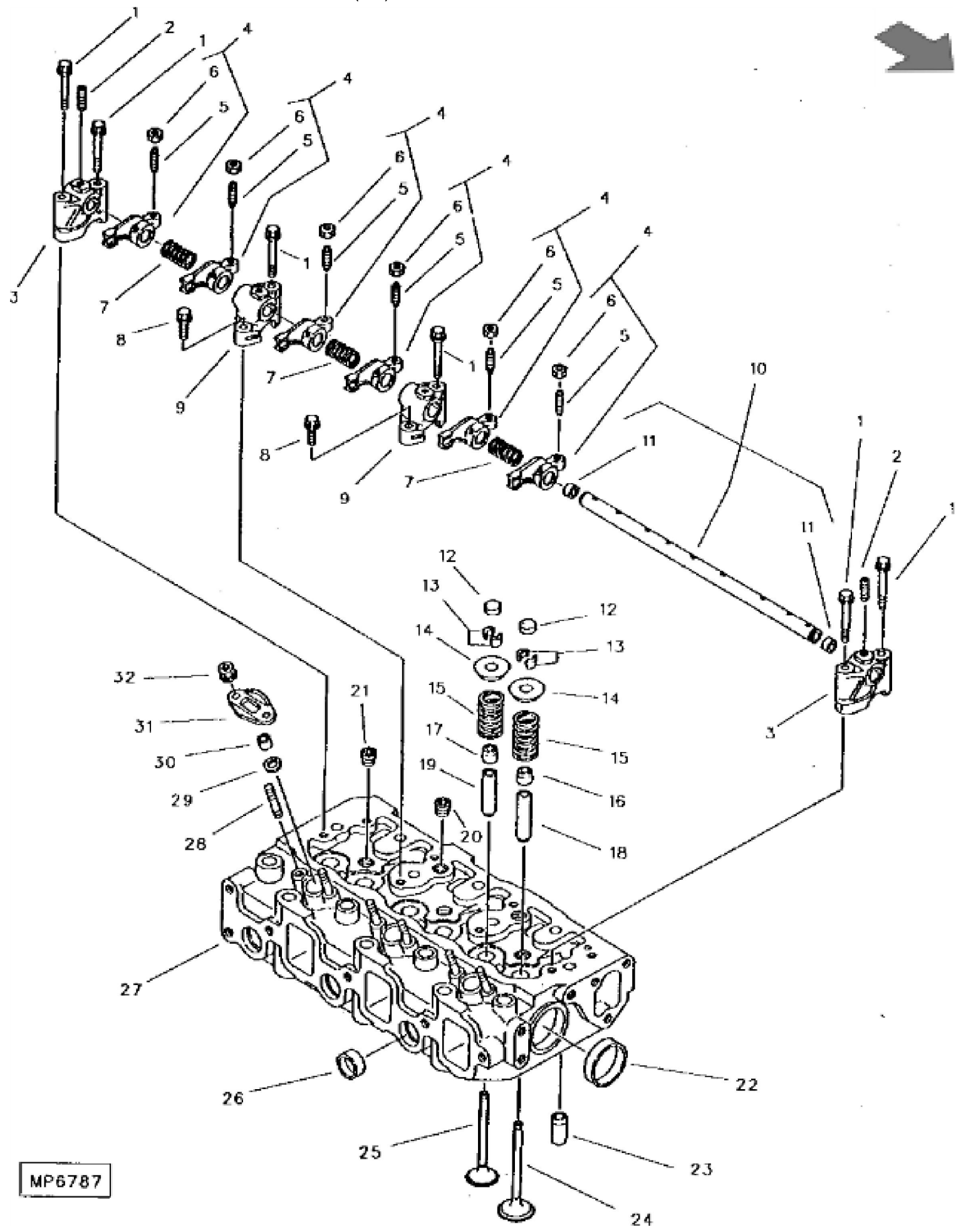
Hello dear friend!

Thank you very much for reading.

Enter the link into your browser.

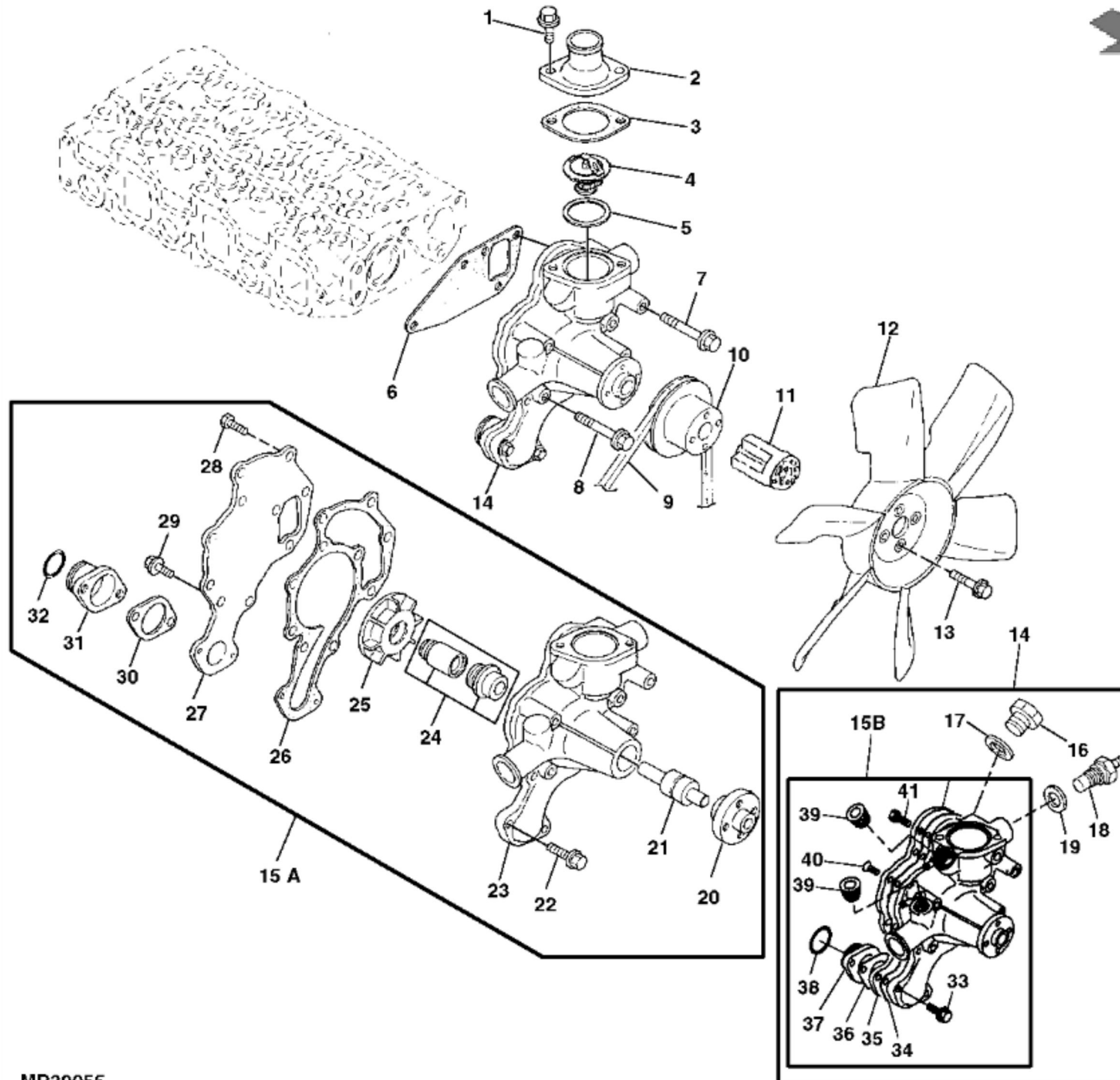
The full manual is available for immediate download.

<https://www.ebooklibonline.com>



MP6787

KEY	PART NO.	PART NAME	QTY	REMARKS
1	19M7800	SCREW	6	M8 X 50
2	M801024	STUD	3	
3	M801022	SUPPORT	2	ROCKER ARM
4	AM875383	ARM	6	
5	M801027	SCREW	1	
6	M801028	NUT	1	
7	M801025	SPRING	3	
8	19M7867	SCREW	2	M8 X 25
9	M801023	SUPPORT	2	ROCKER ARM
10	AM875534	SHAFT	1	
11	M800002	PLUG	2	
12	M801224	CAP	6	(A)
13	AM878862	RETAINER KIT	6	(PKG. OF 2 SIDES), (A) VALVE (SUB FOR (2) CH10067)
14	M801223	RETAINER	6	(A) SPRING
15	M801222	SPRING	6	(A) VALVE
16	T110650	SEAL	3	(A) EXHAUST VALVE
17	CH10450	SEAL	3	(A) INTAKE VALVE
18	M801228	GUIDE	3	(A) EXHAUST VALVE
19	M801227	GUIDE	3	(A) INTAKE VALVE
20	CH16747	PLUG	2	(A)
21	CH15002	PLUG	3	(A)
22	CH16751	PLUG	2	(A)
23	M801217	PLUG	3	(A)
24	M811796	EXHAUST VALVE	3	(A) (SUB FOR M801221) (SUB MIU800494)
25	M801220	INTAKE VALVE	3	(A)
26	CH16749	PLUG	3	(A)
27	CYLINDER HEAD	1	(A)
28	M801219	BOLT	6	(A)
29	M801017	VALVE SEAT	3	(A)
30	M801016	SEAL	3	(A) (SUB FOR M810460 OR M806732)
31	M801018	RETAINER	3	(A) NOZZLE
32	14M7303	FLANGE NUT	6	M6, (A)
..	AM876330	CYLINDER HEAD	1	(INCLUDES PARTS MARKED (A))



KEY	PART NO.	PART NAME	QTY	870	970	1070	REMARKS
1	19M7866	SCREW	2				M8 X 20
2	CH15535	COVER	1				
3	M805834	GASKET	1				(SUB FOR M87859)
4	M811034	THERMOSTAT	1				(SUB FOR M801088)
5	M805835	GASKET	1				(SUB FOR M87860)
6	M809668	GASKET	1				(SUB FOR M801084)
7	19M7979	BOLT	3				
8	19M7801	BOLT	1				
9	M808685	V-BELT	1				(SUB FOR M802627)
10	M801086	PULLEY	1				
11	M804378	SPACER	1	X			
11	M801762	SPACER	1		X	X	(PART NOT SHOWN)
12	M800955	FAN	1	X			
12	M805013	FAN	1		X	X	
13	19M8332	CAP SCREW	4	X			M6 X 90, (ALSO ORDER 24M7054) (SUB FOR M804379)
13	M801763	BOLT	4		X	X	
14	AM878199	PUMP	1				(SUB FOR AM876431)
15A	AM881340	PUMP	1				(SUB FOR AM876341 OR M805843) (SUB MIA880461)
15B	MIA880461	WATER PUMP	1				
16	M800312	PLUG	1				
17	CH13814	WASHER	1				
18	T110736	SENSOR	1				
19	T110737	GASKET	1				
20	PLATE	1				
21	BEARING	1				
22	19M7862	SCREW	2				M6 X 20, (SUB FOR M87820)
23	HOUSING	1				
24	SEAL	1				
25	IMPELLER	1				
26	M810823	GASKET	1				(SUB FOR M809490)
27	MIU800236	PLATE	1				(SUB FOR M810634 OR M801757)
28	CH10577	BOLT	1				
29	CH19140	BOLT	5				M6 X 14



Suggest:

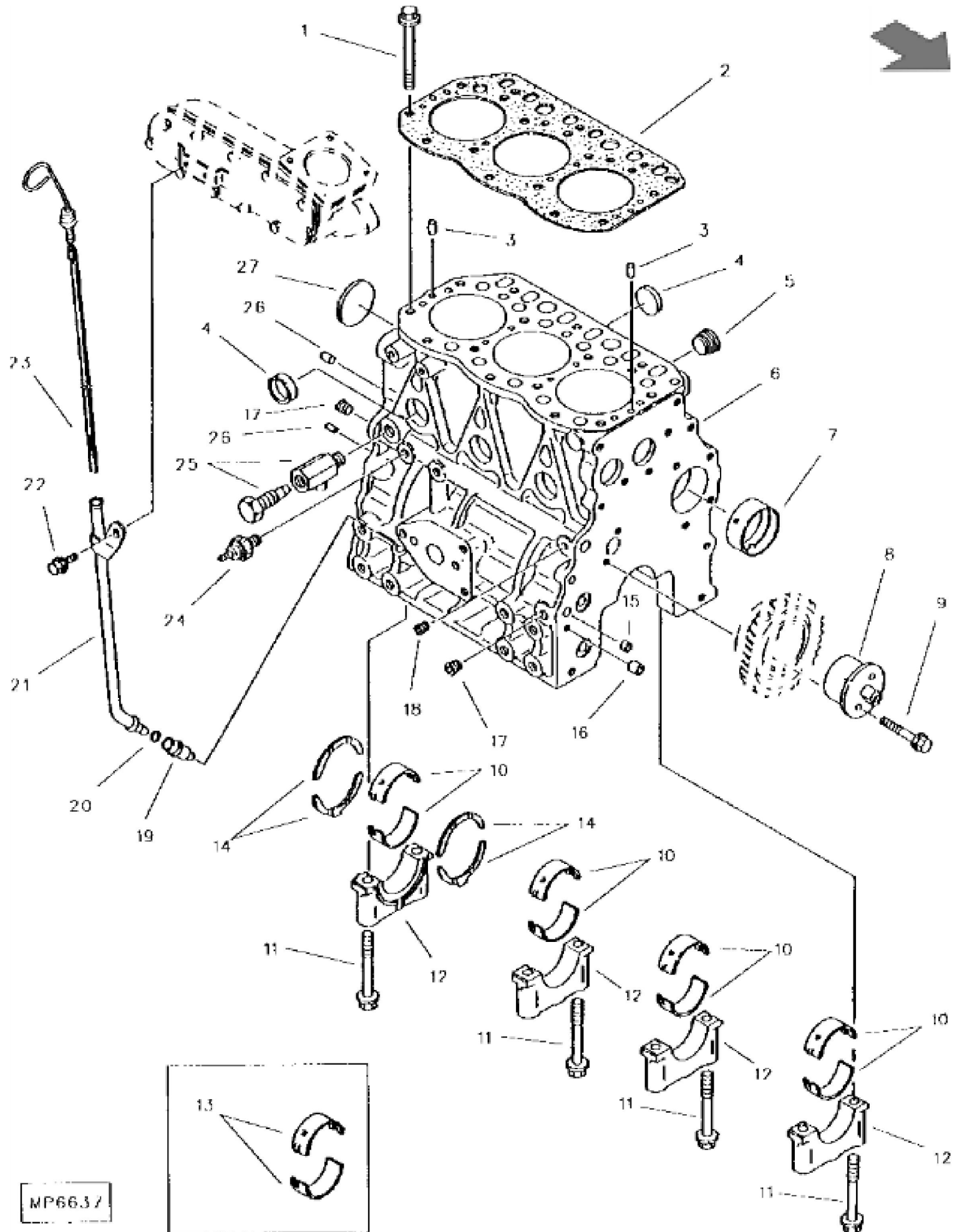
For more complete manuals. Please go to the home page.

<https://www.ebooklibonline.com>

If the above button click is invalid. Please download this document first, and then click the above link to download the complete manual.

Thank you so much for reading

KEY	PART NO.	PART NAME	QTY	870	970	1070	REMARKS
30	M809491	GASKET	1				NLA; ORDER M810824; PUMP MARKED 42001, 42002
30	M810824	GASKET	1				PUMP MARKED 42003, SUB FOR MIU800684 OR M809491
31	M801758	PIPE	1				(SUB FOR MIU800683)
32	M810636	O-RING	1				(SUB FOR M801760)
33	19M7862	SCREW	2				M6 X 20, (SUB FOR M87820)
34	M810823	GASKET	1				
35	MIU800236	PLATE	1				
36	M810824	GASKET	1				(SUB FOR MIU800684)
37	M801758	PIPE	1				(SUB FOR MIU800683)
38	M810636	O-RING	1				
39	PLUG	2				
40	SCREW	3				
41	19M7560	CAP SCREW	3				M6 X 16



MP6637

<https://www.ebooklibonline.com>

Hello dear friend!

Thank you very much for reading.

Enter the link into your browser.

The full manual is available for immediate download.

<https://www.ebooklibonline.com>