

CD 35 506

KEY	PART NO.	PART NAME	QTY	Engine Serial No.	840	REMARKS
1	RE68302	CYLINDER BLOCK	1		X	(MARKED R130874) (ORDER W/ RE57836) (SUB FOR RE29217)
1	AR67961	CYLINDER BLOCK	1	____-465252	X	(MARKED R55520) (ORDER RE68302, R46625, R73139, RE57836, (14) R85363)
1	AR97201	CYLINDER BLOCK	1	465253-____	X	(MARKED R72962) (ORDER RE68302, (14) RE57836, R85363)
2	RE57836	PIPE PLUG	AR		X	1/2", (FOR RE68302) (SUB FOR 15H624)
3	15H275	PIPE PLUG	1		X	1/4"
4	RE507807	PIPE PLUG	1		X	1/4" THREADS WITH PRE-APPLIED SEALANT, (SUB FOR R55233, THIS APPLICATION)
5	R104592	PIPE PLUG	4		X	1/8", (FOR RE68302) (SUB FOR 15H558)
6	15H690	PIPE PLUG	AR		X	3/4", (SUB FOR 15H665)
6	15H562	PIPE PLUG	AR		X	1"
7	R48685	DOWEL PIN	2		X	(SUB FOR A120R)
8	R79089	CAP	1		X	
9	T20168	WASHER	2		X	
10	T23474	CAP SCREW	2		X	
11	AT13740	DRAIN VALVE	AR		X	

<https://www.ebooklibonline.com>

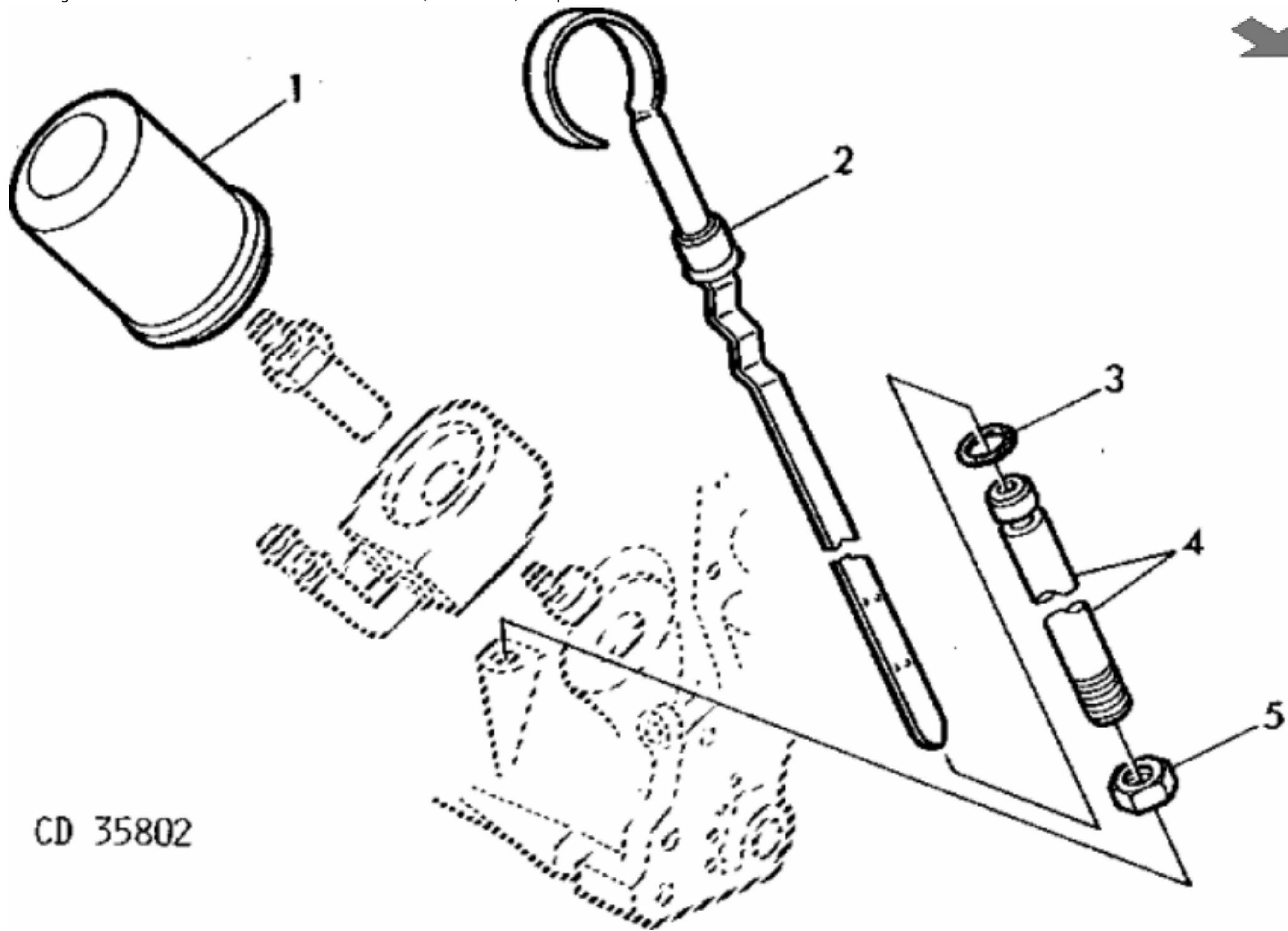
Hello dear friend!

Thank you very much for reading.

Enter the link into your browser.

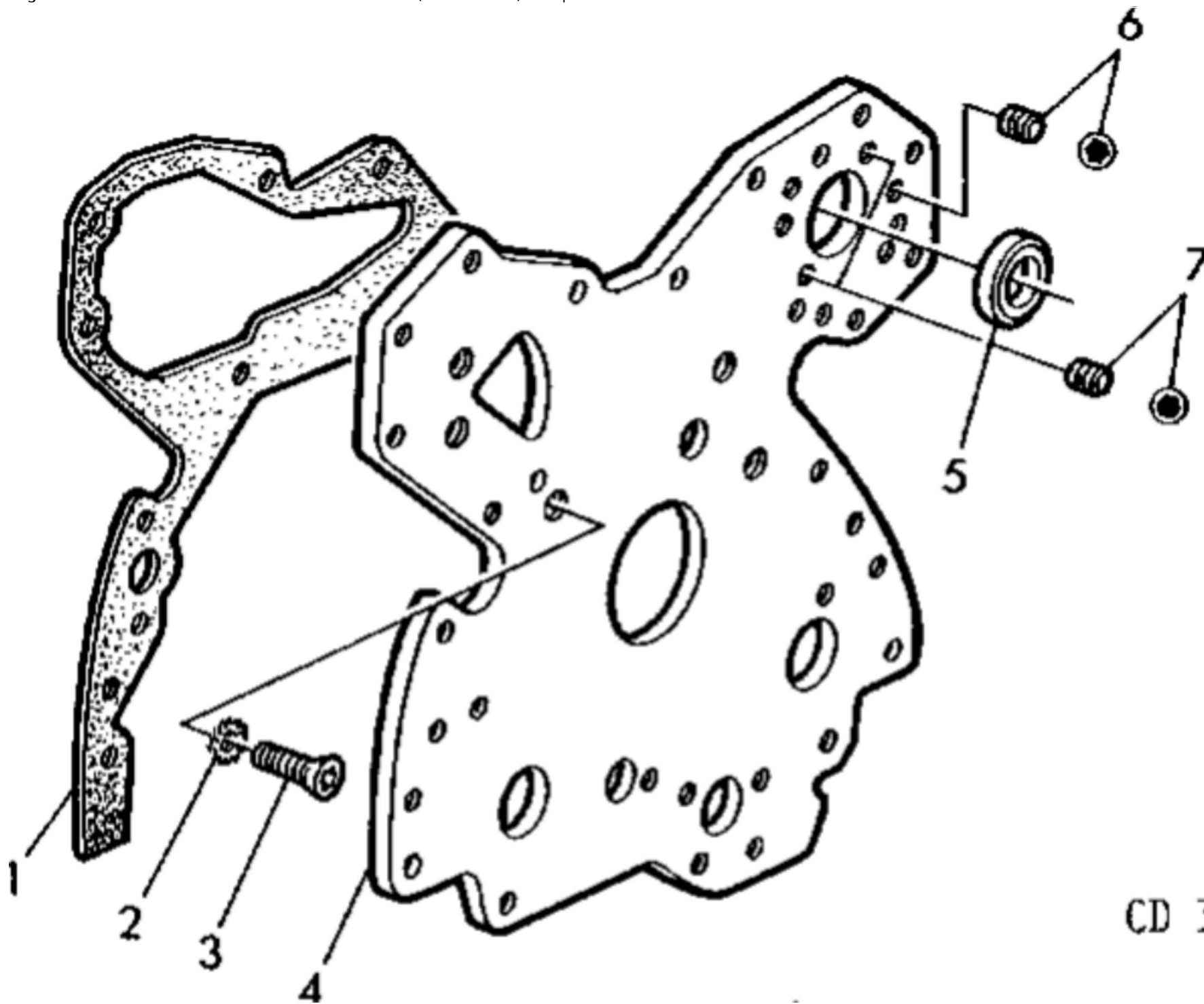
The full manual is available for immediate download.

<https://www.ebooklibonline.com>



CD 35802

KEY	PART NO.	PART NAME	QTY	840	REMARKS	
1	T19044	OIL FILTER	1	X		
2	AT21534	DIPSTICK	1	X	LGTH= 270MM (10.63")	
3	R10093	O-RING	1	X		
4	R65283	THREADED NIPPLE	1	X	LGTH= 85MM (3.35")	
5	14H826	NUT	1	X	1/2"	



CD 35803



Suggest:

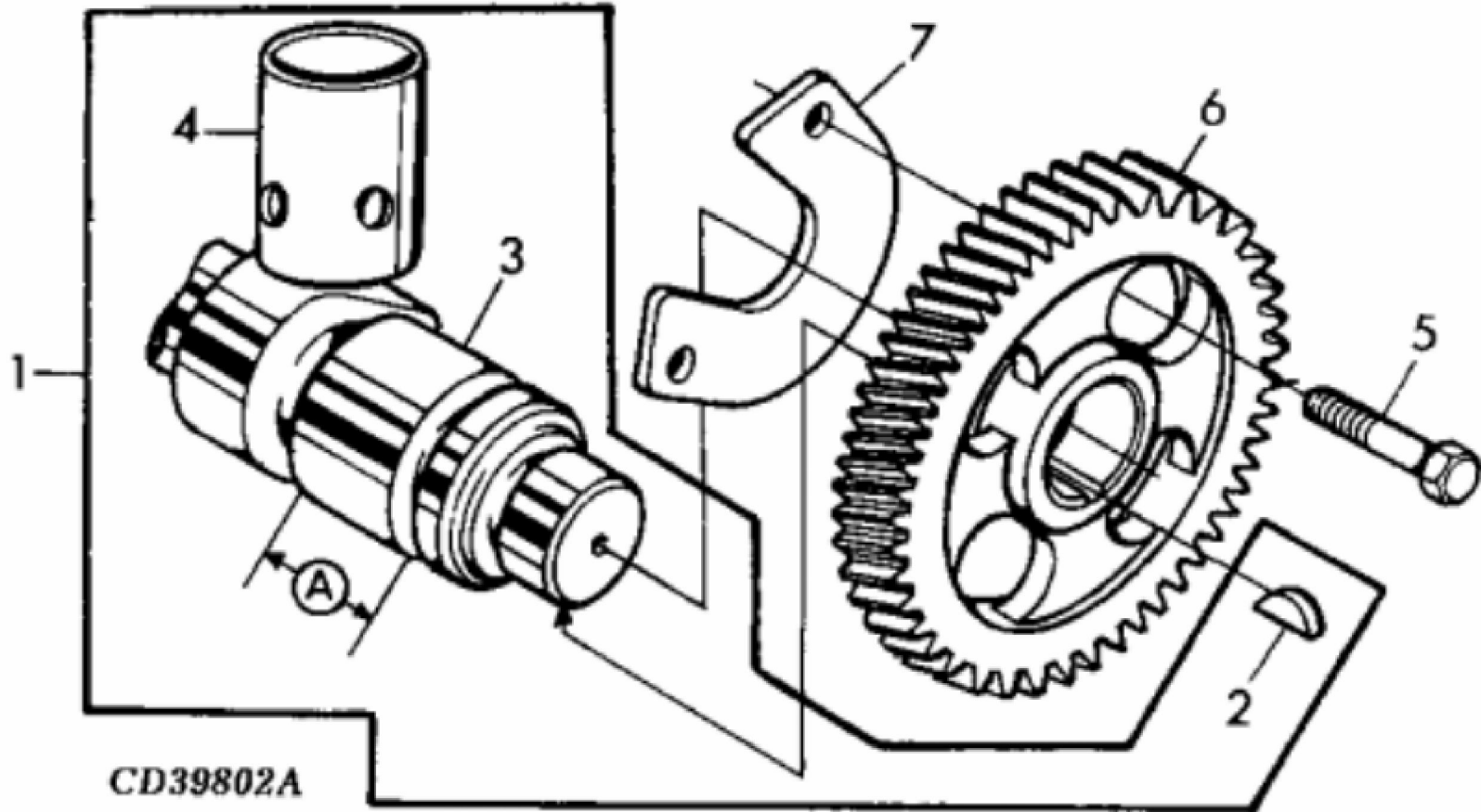
For more complete manuals. Please go to the home page.

<https://www.ebooklibonline.com>

If the above button click is invalid. Please download this document first, and then click the above link to download the complete manual.

Thank you so much for reading

KEY	PART NO.	PART NAME	QTY	Engine Serial No.	840	REMARKS	
1	R131794	GASKET	1		X	(SUB FOR T24965, R73140, R90648)	
2	12H324	WASHER	5		X	3/8"	
3	R501068	BOLT	5		X	3/8"X5/8", (SUB FOR T20166, THIS APPLICATION)	
4	AT29928	PLATE	1	____-551742	X	(ALSO ORDER R79863, R79854, (8) AT21191 AND (2) AT22919)	
4	R79863	PLATE	1	551743-____	X	(ALSO ORDER (8) AT21191 AND (2) AT22919) (SUB FOR R75470)	
5	R79854	BUSHING	1	____-551742	X		
6	AT21191	SET SCREW	8		X	5/16"X0.380"	
7	AT22919	SET SCREW	2		X	3/8"X0.380"	



<https://www.ebooklibonline.com>

Hello dear friend!

Thank you very much for reading.

Enter the link into your browser.

The full manual is available for immediate download.

<https://www.ebooklibonline.com>