

MP39882

KEY	PART NO.	PART NAME	QTY	REMARKS
1	M87866	BOLT	14	
2	M809593	PLUG	1	(SUB FOR CH10641)
3	CH18079	SPRING PIN	2	
4	30M7023	PLUG	6	
5	M87862	BUSHING	1	
6	M800006	DOWEL PIN	2	
7	M89140	SHAFT	1	
8	19M7774	SCREW	3	M6 X 12
9	40M7080	SNAP RING	1	(SUB FOR CH16769)
10	M89139	PLATE	1	
11	M87801	PLUG	1	
12	M802643	PLUG	1	
13	AM100732	BEARING KIT	1	(.25MM (.010") US), MAIN
14	M87879	BOLT	8	
15	AM100718	BEARING KIT	4	MAIN (STD)
16	AM100719	BEARING KIT	2	THRUST
17	M89143	GUIDE	1	
18	CH10571	PACKING	1	
19	M802671	GUIDE	1	
20	19M7300	CAP SCREW	1	M6 X 10
21	M802672	DIPSTICK	1	
22	15H558	PIPE PLUG	1	1/8"
23	M802255	PIN	2	
24	M807297	ENGINE CYLINDER HEAD GASKET	1	HEAD, (SUB FOR M87853 AND M805694)
25	AM100800	DRAIN VALVE	1	
26	M809526	SWITCH	1	OIL PRESSURE, (SUB FOR CH15500)
27	M802254	PIN	2	
28	AM876419	CYLINDER BLOCK	1	
..	AM101391	SHORT BLOCK ASSEMBLY	1	

<https://www.ebooklibonline.com>

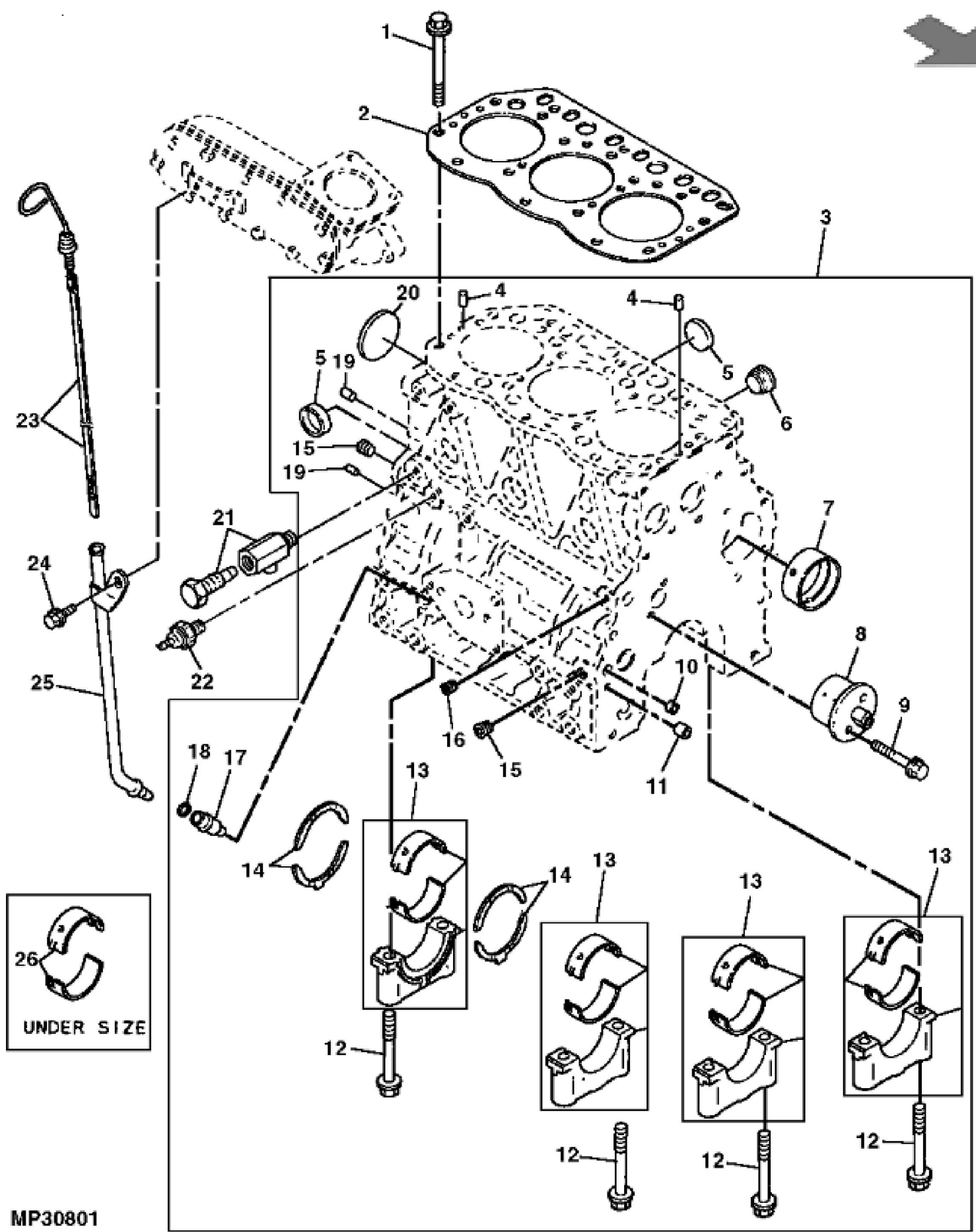
Hello dear friend!

Thank you very much for reading.

Enter the link into your browser.

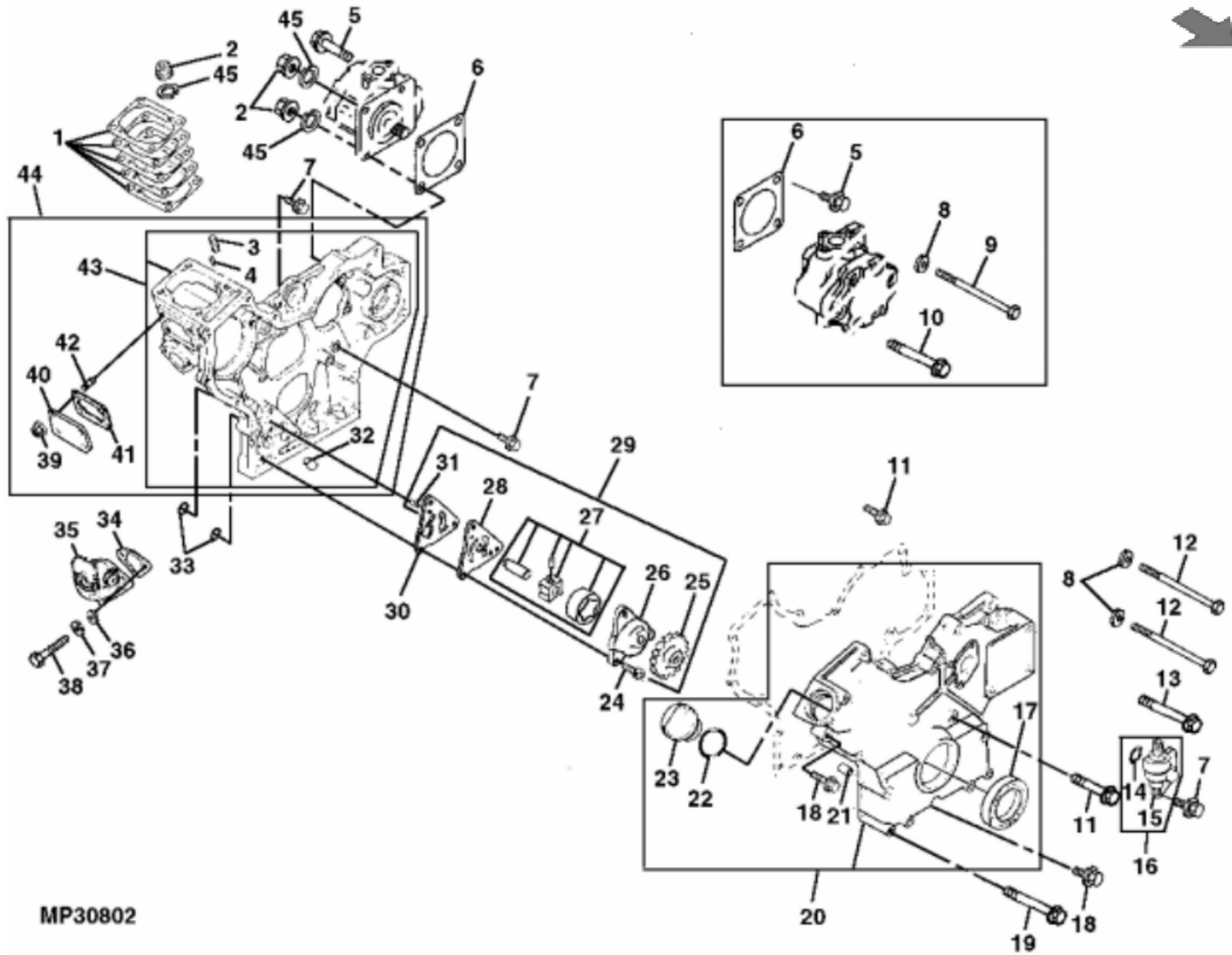
The full manual is available for immediate download.

<https://www.ebooklibonline.com>



MP30801

KEY	PART NO.	PART NAME	QTY	REMARKS
1	M801186	BOLT	14	
2	M805831	ENGINE CYLINDER HEAD GASKET	1	(SUB FOR M802268)
3	MIA882671	SHORT BLOCK ASSEMBLY	1	SUB FOR AM876351
4	CH18079	SPRING PIN	2	
5	30M7023	PLUG	6	(30)
6	15H562	PIPE PLUG	1	1"
7	M800977	BUSHING	1	
8	M800978	SHAFT	1	
9	CH19101	BOLT	2	
10	M87801	PLUG	2	
11	M800974	PIPE	2	
12	M801189	BOLT	8	
13	AM875371	BEARING KIT	4	MAIN
14	MIA880555	BEARING	2	THRUST, (SUB FOR AM875373)
15	CH10335	PLUG	3	
16	15H558	PIPE PLUG	1	1/8", (SUB FOR CH13504)
17	M89143	GUIDE	1	
18	CH10571	PACKING	1	
19	M802255	PIN	4	
20	M806840	PLUG	1	(SUB FOR M800973)
21	AM100800	DRAIN VALVE	1	
22	M809526	SWITCH	1	OIL PRESSURE, (SUB FOR CH15500)
23	M802621	DIPSTICK	1	
24	19M7864	SCREW	1	M8 X 12
25	M802620	GUIDE	1	
26	MIA880550	BEARING	4	(.25 MM (.010") US), MAIN, (SUB FOR AM875374)
..	AM878465	SHORT BLOCK ASSEMBLY	1	ORDER MIA882671



MP30802

KEY	PART NO.	PART NAME	QTY	REMARKS
1	AM100747	SHIM	1	
2	14M7273	NUT	7	M8
3	CH15722	STUD	4	
4	CH12293	PIN	2	
5	19M7866	SCREW	2	M8 X 20
6	M805696	GASKET	2	(SUB FOR CH12816)
7	19M7775	SCREW	7	M6 X 16, (SUB FOR M87868)
8	24M7055	WASHER	2	8.400 X 16 X 1.600 mm
9	M802645	BOLT	2	
10	CH19136	BOLT	1	
11	M89120	BOLT	4	
12	M802646	BOLT	2	
12	M802645	BOLT	2	(EUROPEAN)
13	CH19091	BOLT	1	
13	CH19136	BOLT	1	(EUROPEAN)
14	CH13526	PACKING	1	
15	HOUSING	1	
16	AM875580	TACHOMETER	1	
17	M811563	SEAL	1	(EUROPEAN) (SUB FOR M87821)
17	M811563	SEAL	1	(SUB FOR M801940)
18	CH19141	BOLT	6	
19	M89121	BOLT	6	
20	AM876399	COVER	1	
20	AM876397	COVER	1	(EUROPEAN)
21	M800006	DOWEL PIN	2	
22	M805711	PACKING	1	
23	M805710	CAP	1	
24	19M8627	SCREW	3	M6 X 20, (SUB FOR M89176)
25	GEAR	2	
26	HOUSING	1	
27	ROTOR	1	
28	COVER	1	
29	AM101377	OIL PUMP	1	
30	M89142	GASKET	1	
31	CH11495	PIN	2	



Suggest:

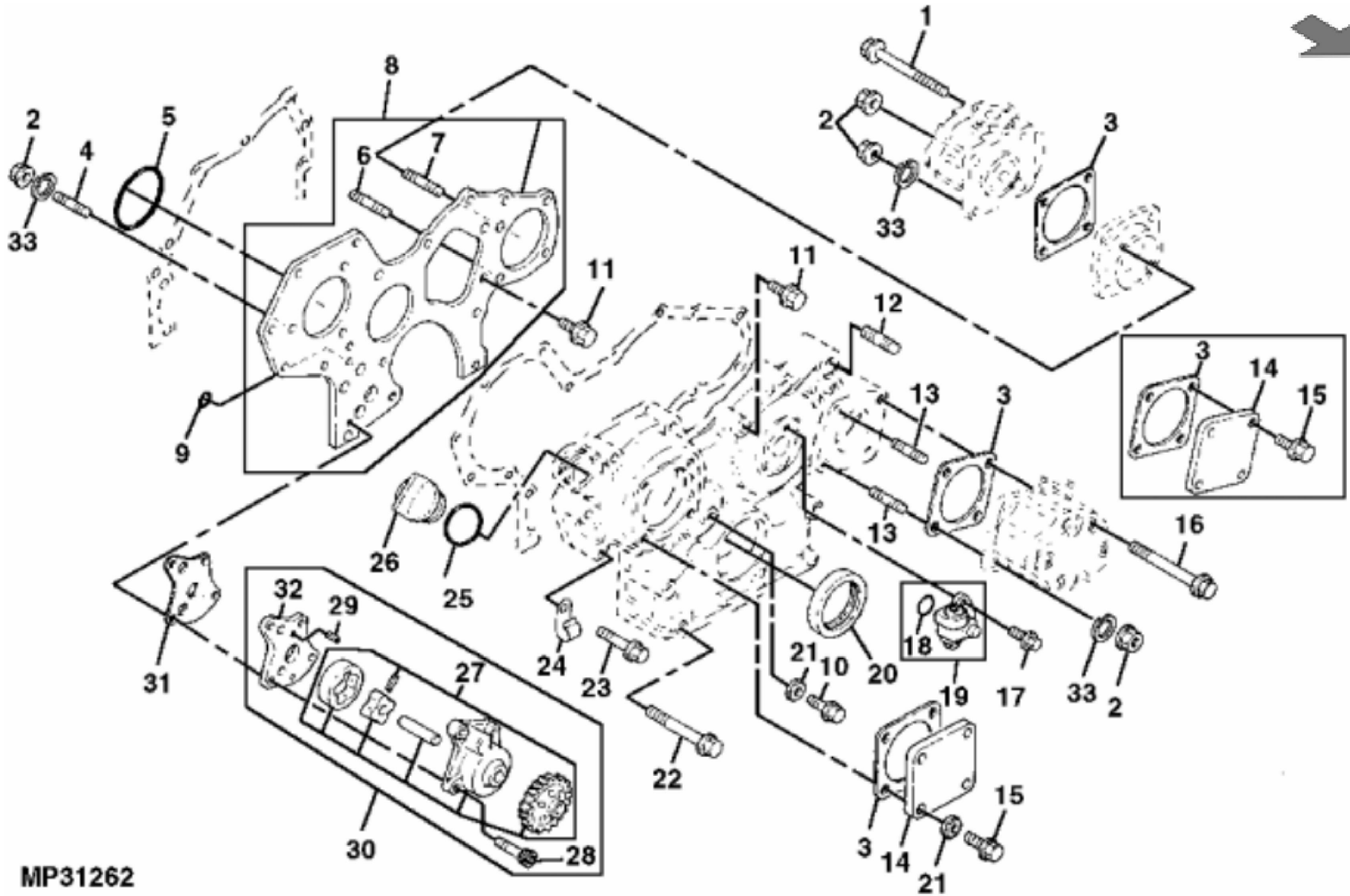
For more complete manuals. Please go to the home page.

<https://www.ebooklibonline.com>

If the above button click is invalid. Please download this document first, and then click the above link to download the complete manual.

Thank you so much for reading

KEY	PART NO.	PART NAME	QTY	REMARKS	
32	M89118	PLUG	1		
33	CH10568	PACKING	2		
34	M805703	GASKET	1		
35	AM876410	PUMP	1		
36	24M7054	WASHER	2	6.400 X 12 X 1.600 mm	
37	12M7006	LOCK WASHER	2	6 mm	
38	19M7077	CAP SCREW	2	M6 X 20	
39	14M7303	FLANGE NUT	4	M6	
40	M89122	COVER	1		
41	M805695	GASKET	1	(SUB FOR M89123)	
42	M89124	STUD	4		
43	AT110780	GEAR CASE	1		
44	MIA10330	GEAR CASE	1	(SUB FOR AM876398)	
45	12M7065	LOCK WASHER	7	8 mm	



MP31262

<https://www.ebooklibonline.com>

Hello dear friend!

Thank you very much for reading.

Enter the link into your browser.

The full manual is available for immediate download.

<https://www.ebooklibonline.com>