

**TP55081**

John Deere > Construction And Forestry >BACKHOE, LOADER >710D - BACKHOE, LOADER >710D Backhoe Loader >04 ENGINE >0402 CAMSHAFT AND VALVE ACTUATING MEANS >ST272213 - ROCKER ARM COVER (713823 - )

KEY	PART NO.	PART NAME	QTY	REMARKS
1	H23125	PLUG	6	
2	R123574	NUT	6	
3	R123575	O-RING	6	
4	R121674	MEDALLION	1	
5A	.....	CAP	1	(RE52326 NLA) (SUB RE500005)
5B	RE500005	FILLER CAP	1	
6	RE502987	COVER	1	(SUB FOR RE70400)
7	R123543	GASKET	1	
7	RE520540	GASKET KIT	1	High Temperature Gasket
8	R502902	PACKING	1	(USE W/ RE500005) (SUB FOR R500001)

**<https://www.ebooklibonline.com>**

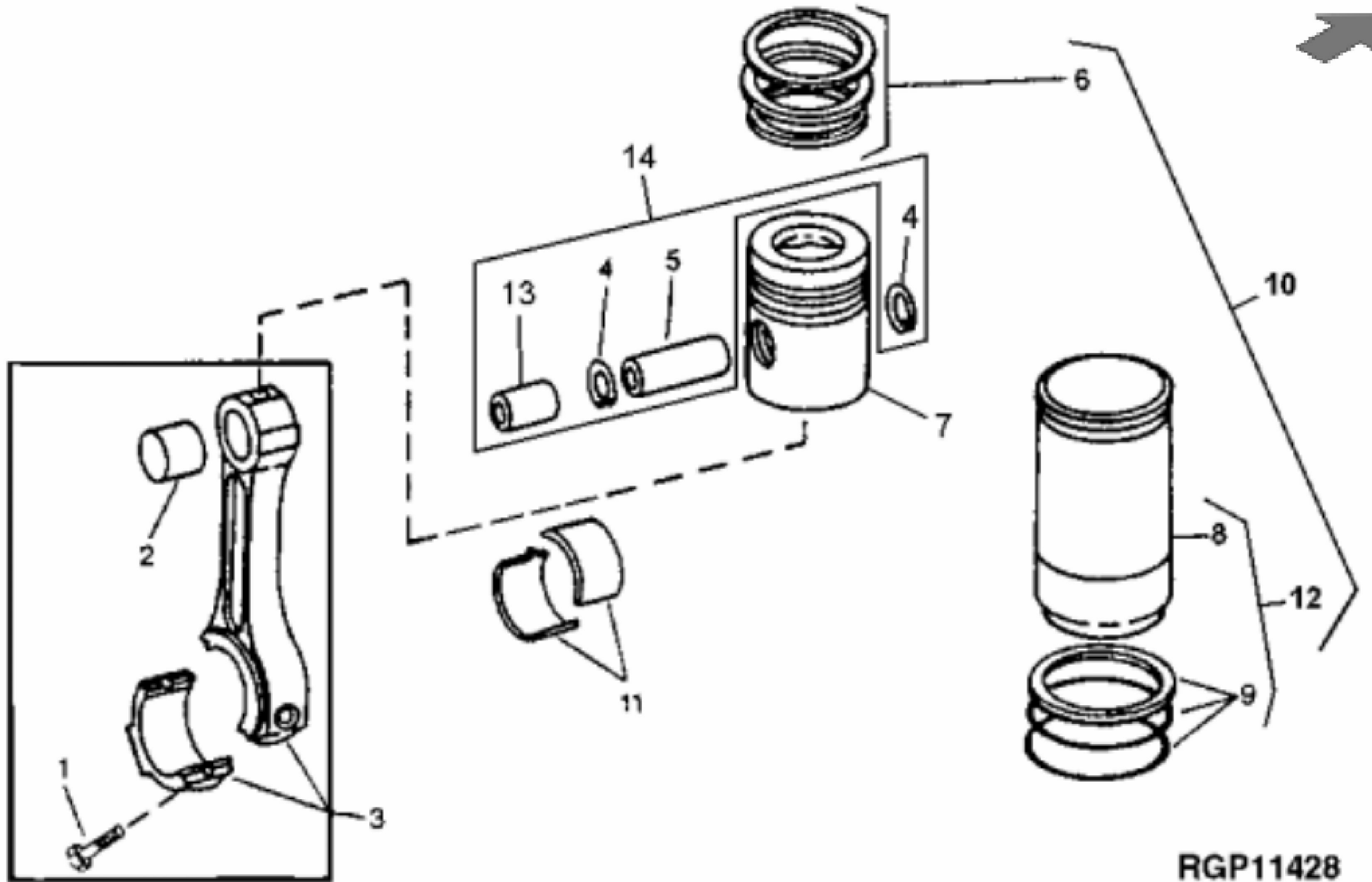
Hello dear friend!

Thank you very much for reading.

Enter the link into your browser.

The full manual is available for immediate download.

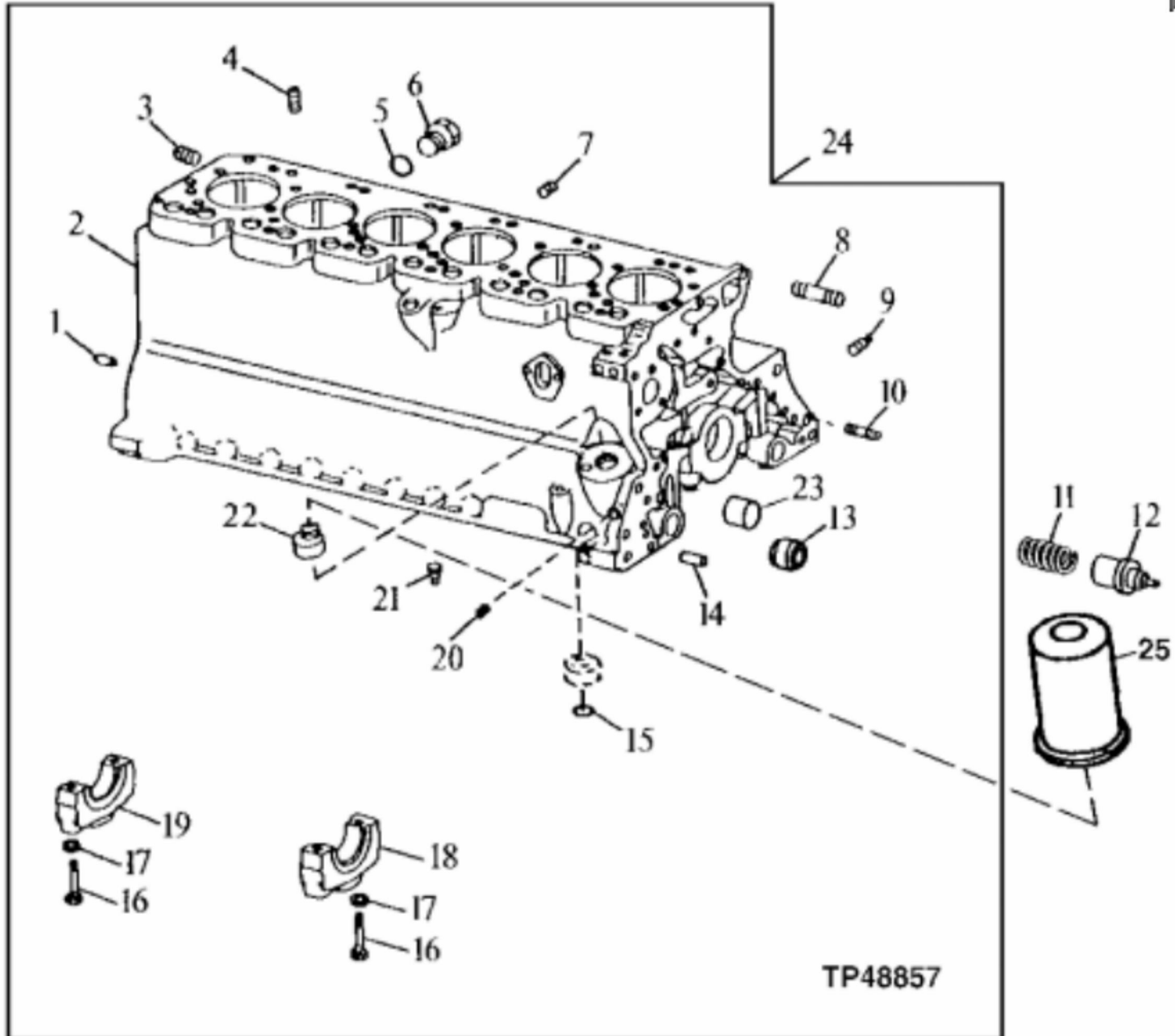
**<https://www.ebooklibonline.com>**



RGP11428

John Deere > Construction And Forestry > BACKHOE, LOADER > 710D - BACKHOE, LOADER > 710D Backhoe Loader > 04 ENGINE > 0403 CONNECTING RODS AND PISTONS > ST272214 - CONNECTING ROD, PISTON, RINGS AND LINER

KEY	PART NO.	PART NAME	QTY	REMARKS
1	R80033	CAP SCREW	12	
2	RE63913	PIN KIT	6	(SUB FOR R56186 OR R57451)
3	RE42733	CONNECTING ROD	6	(MARKED R80032 OR R113612)
3	SE500748	CONNECTING ROD REMAN	6	(REMAN FOR RE42733)
4	R54114	SNAP RING	12	
5	.....	PIN	6	(R124230 NLA) RE63913)
6	RE507852	PISTON RING KIT	6	(SUB FOR RE48818, RE66820)
7	.....	PISTON	6	(W/ INSERT) (FURNISH RE22678)
8	R116281	CYLINDER LINER	6	(SUB FOR R90059) (SUB RE500023 OR RE22678) (ALSO USE AR54749 LUBRICANT FOR CYLINDER LINER PACKING INSTALLATION)
9	AR65507	O-RING KIT	6	
9	R26121	O-RING	1	
9	R48767	PACKING	1	
9	R55453	O-RING	1	
10	RE22678	PISTON-LINER KIT	6	(USE RE33115 IF AVAILABLE) (WHEN NLA FURNISH RE22678)
11	AR71080	BEARING	6	(SET OF (2)), R58980)
11	AR76129	BEARING	6	25 mm (010 in.), (SET OF (2)), Undersize
11	AR76130	BEARING	6	.51 mm (020 in.), (SET OF (2)), Undersize, (R62074)
11	AR76131	BEARING	6	.76 mm (030 in.), (SET OF (2)), Undersize, (R62075)
12	.....	KIT	6	RE500023 NLA) (SUB RE22678)
13	.....	BUSHING	6	
14	RE63913	PIN KIT	6	





**Suggest:**

**For more complete manuals. Please go to the home page.**

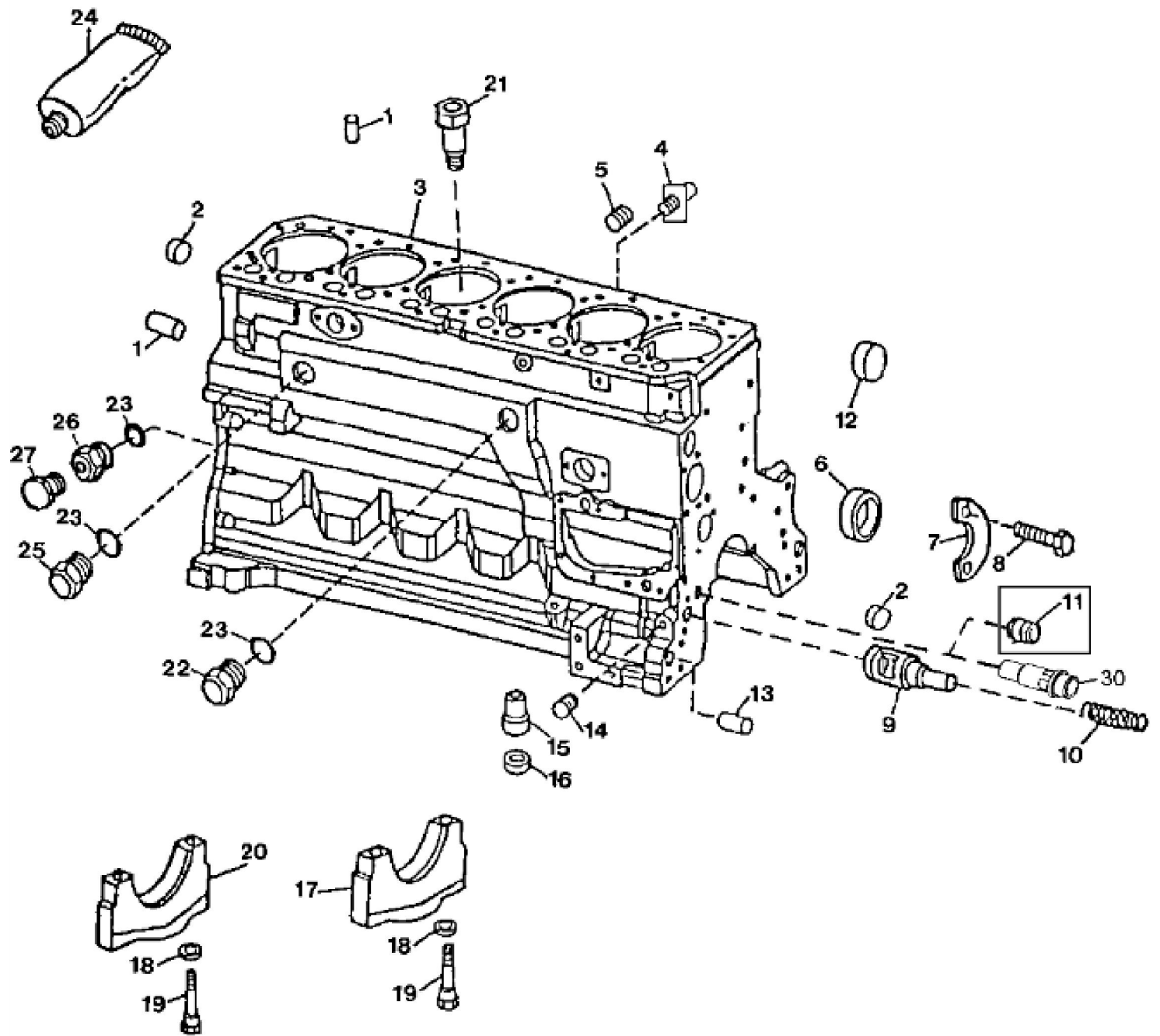
**<https://www.ebooklibonline.com>**

**If the above button click is invalid. Please download this document first, and then click the above link to download the complete manual.**

**Thank you so much for reading**

John Deere > Construction And Forestry > BACKHOE, LOADER > 710D - BACKHOE, LOADER > 710D Backhoe Loader > 04 ENGINE > 0404 CYLINDER BLOCK > ST272216 - CYLINDER BLOCK, MAIN BEARING CAPS AND ENGINE OIL FILTER ( - 713822)

KEY	PART NO.	PART NAME	QTY	REMARKS
1	R48685	DOWEL PIN	4	
2	.....	CYLINDER BLOCK	1	
3	15H562	PIPE PLUG	1	1"
4	15H690	PIPE PLUG	1	3/4"
5	U13639	O-RING	1	
6	R39741	DRAIN PLUG	1	Coolant Heater, W/O
6	R55233	PIPE PLUG	1	
7	15H685	PIPE PLUG	1	1/4"
8	R122226	STUD	2	(SUB FOR R122226)
9	R104592	PIPE PLUG	7	
10	T25701	STUD	1	
11	R111137	SPRING	1	
12	R111135	VALVE	1	
13	R26493	BUSHING	1	
14	R26650	DOWEL PIN	2	
15	R75892	O-RING	1	(OIL PUMP TUBE)
16	T23474	CAP SCREW	14	
17	T20168	WASHER	14	
18	R65215	BEARING CAP	6	Main Bearing
19	R79089	CAP	1	(REAR MAIN BEARING)
20	15H623	PIPE PLUG	1	3/8"
21	R54802	ORIFICE	6	
22	T23435	THREADED NIPPLE	1	
23	T18891	PLUG	2	
24	RE50657	CYLINDER BLOCK	1	(MARKED R111464 OR R124852) (ALSO ORDER R111135 AND R111137)
25	T19044	OIL FILTER	1	



**<https://www.ebooklibonline.com>**

Hello dear friend!

Thank you very much for reading.

Enter the link into your browser.

The full manual is available for immediate download.

**<https://www.ebooklibonline.com>**