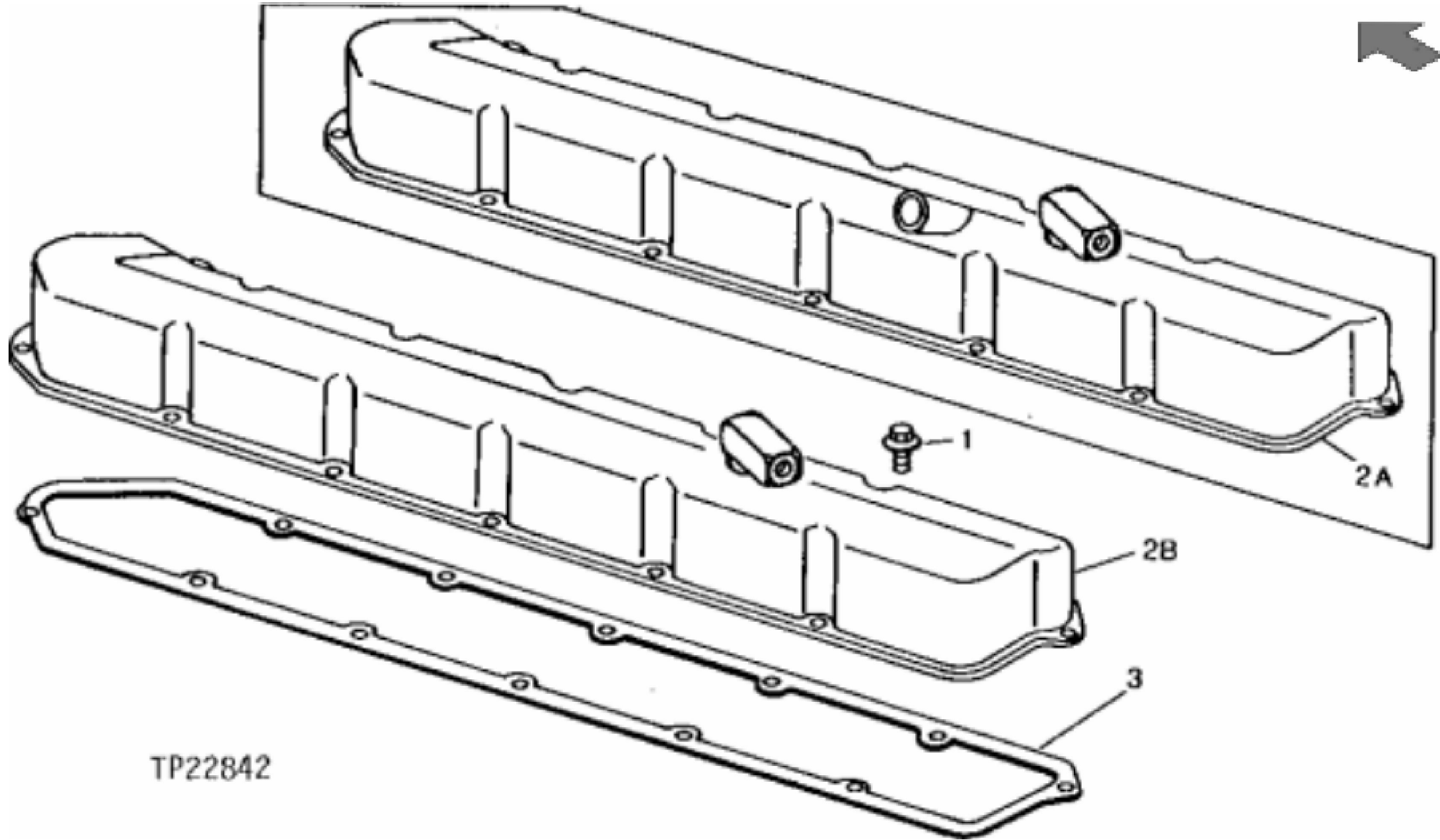


John Deere > Construction And Forestry > BACKHOE, LOADER > 710C - BACKHOE, LOADER > 710B and 710C Backhoe Loaders > 4 ENGINE 4 > CAMSHAFT AND VALVE ACTUATING MEANS 0402 > 0402-4 -  
ROCKER ARM COVER (ENGINE SERIAL NO. 607130-621172) (MANUFACTURED 1983-1983) (710B WITH 6329 ENGINE) (ENGINE SERIAL NO. 100001-143929) (MANUFACTURED 1983-1986) (710B WITH  
6329 ENGINE) (ENGINE SERIAL NO. 143930-299999) (MANUFACTURED 1986-1989) (710B AND [02B24])



John Deere > Construction And Forestry > BACKHOE, LOADER > 710C - BACKHOE, LOADER > 710B and 710C Backhoe Loaders > 4 ENGINE 4 > CAMSHAFT AND VALVE ACTUATING MEANS 0402 > 0402-4 -  
 ROCKER ARM COVER (ENGINE SERIAL NO. 607130-621172) (MANUFACTURED 1983-1983) (710B WITH 6329 ENGINE) (ENGINE SERIAL NO. 100001-143929) (MANUFACTURED 1983-1986) (710B WITH  
 6329 ENGINE) (ENGINE SERIAL NO. 143930-299999) (MANUFACTURED 1986-1989) (710B AND [02B24])

KEY	PART NO.	PART NAME	QTY	Engine Serial No.	710B	710C	REMARKS
1	AR103811	SCREW WITH WASHER	12		X	X	(SUB FOR AR100124)
2A	AR76787	COVER	1	_____-120442	X		
2B	AR71698	COVER	1	120443-____	X	X	
3	R75728	GASKET	1		X	X	(SUB FOR AR102260)

**<https://www.ebooklibonline.com>**

Hello dear friend!

Thank you very much for reading.

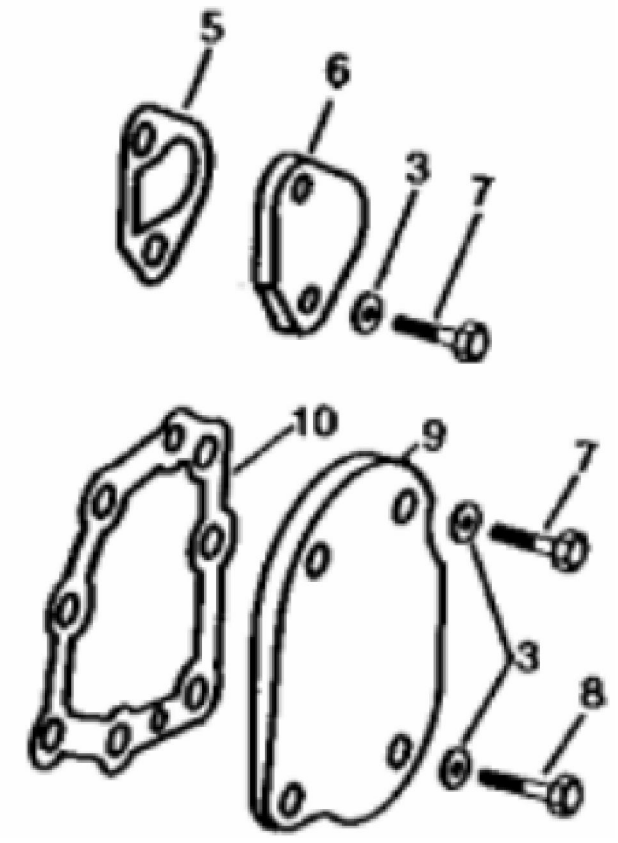
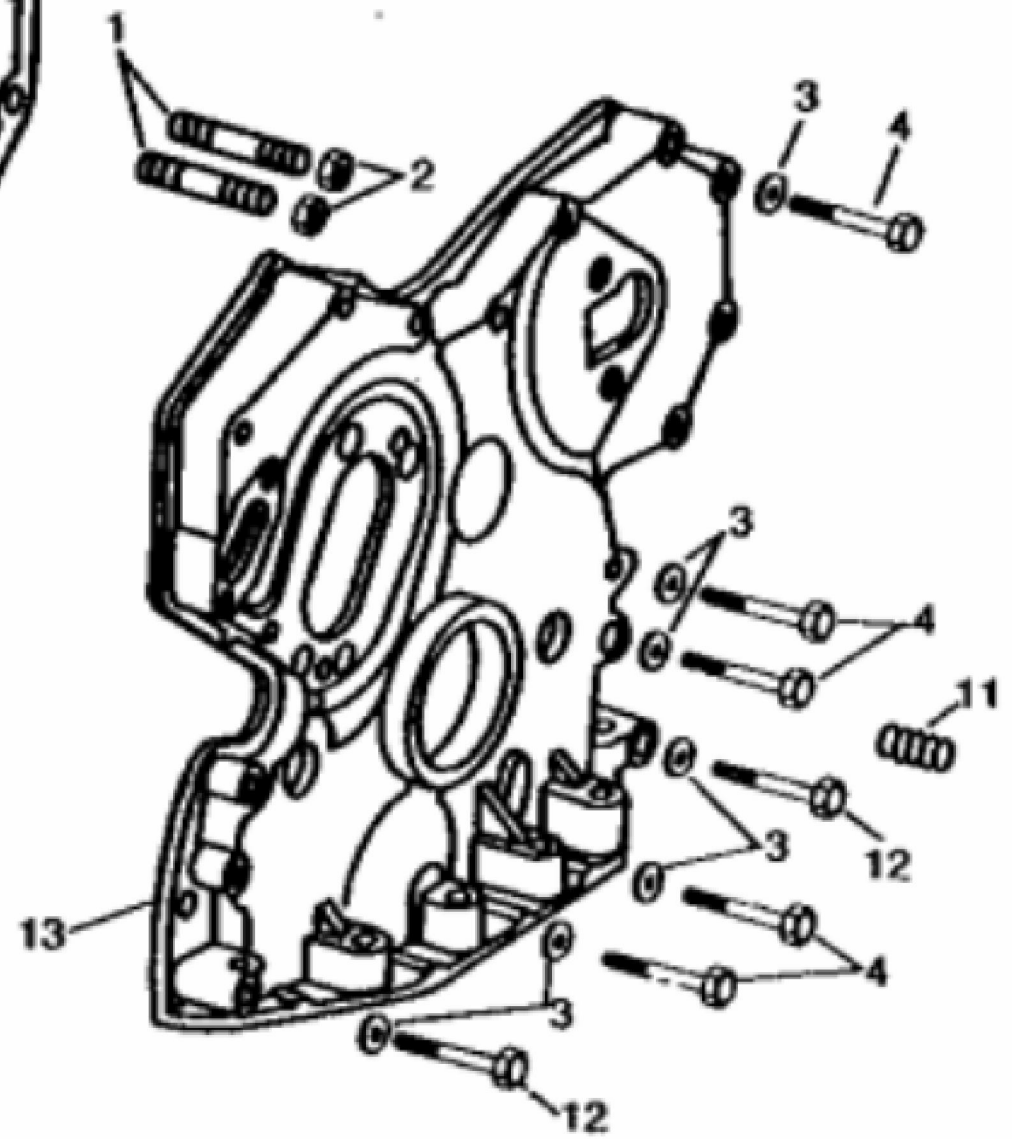
Enter the link into your browser.

The full manual is available for immediate download.

**<https://www.ebooklibonline.com>**

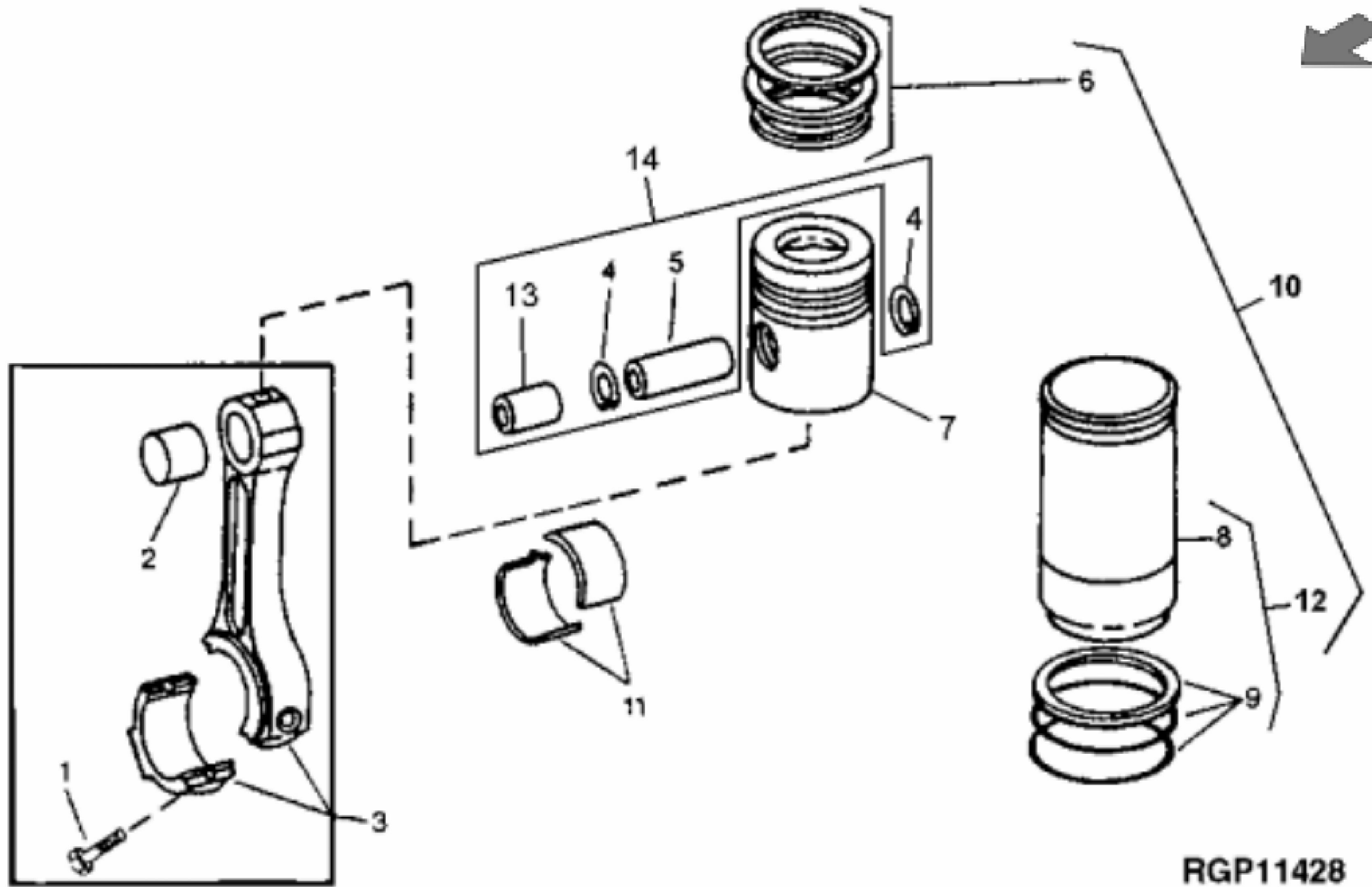


TP861



John Deere > Construction And Forestry >BACKHOE, LOADER >710C - BACKHOE, LOADER >710B and 710C Backhoe Loaders >4 ENGINE 4 >CAMSHAFT AND VALVE ACTUATING MEANS 0402 >0402-5 - TIMING GEAR COVER (710B) [02B25]

KEY	PART NO.	PART NAME	QTY	710B	REMARKS
1	R122226	STUD	2	X	(SUB FOR R122226)
2	12H304	LOCK WASHER	2	X	3/8"
2	14H812	NUT	2	X	3/8"
3	24H1304	WASHER	AR	X	13/32" X 23/32" X 0.120"
4	19H2549	CAP SCREW	10	X	3/8" X 1-7/8"
5	R78366	GASKET	1	X	(SUB FOR R69260)
6	R126041	COVER	1	X	(SUB FOR T20362)
7	19H2284	CAP SCREW	3	X	3/8" X 7/8"
7	R124277	CAP SCREW	2	X	(USE WITH R126041) (SUB FOR R122618, THIS APPLICATION)
8	19H1726	CAP SCREW	1	X	3/8" X 2-1/4"
9	T20272	COVER	1	X	
10	T20273	GASKET	1	X	
11	15H275	PIPE PLUG	1	X	1/4"
12	19H3031	CAP SCREW	2	X	3/8" X 2-1/2"
13	AR58196	COVER	1	X	(MARKED R52880) (ALSO ORDER T20272, T20273, 15H275, 19H1726, (3) 19H2284 AND (4) 24H1304) (SUB RE39252)
14	T20155	GASKET	1	X	



RGP11428



**Suggest:**

**For more complete manuals. Please go to the home page.**

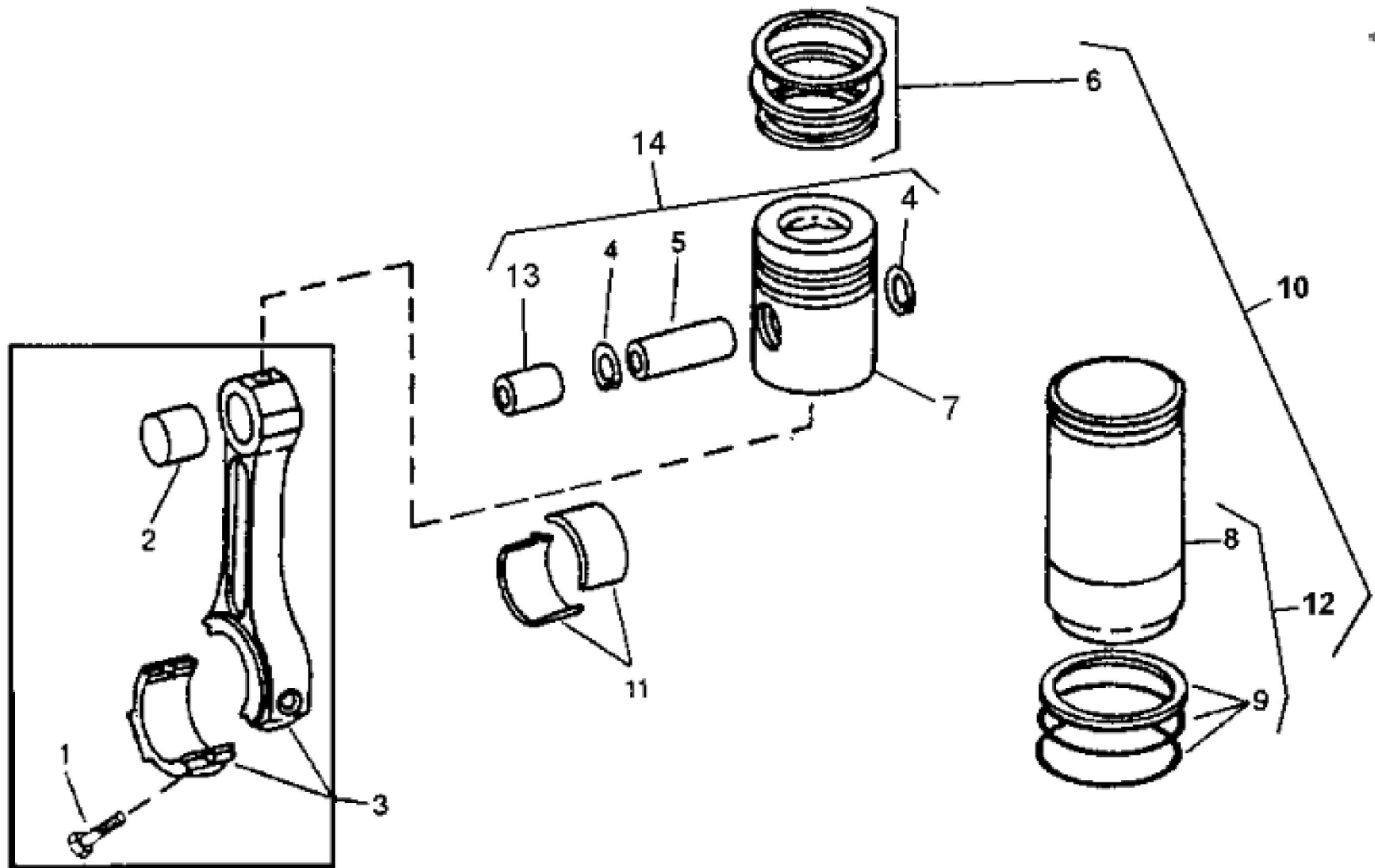
**<https://www.ebooklibonline.com>**

**If the above button click is invalid. Please download this document first, and then click the above link to download the complete manual.**

**Thank you so much for reading**

John Deere > Construction And Forestry >BACKHOE, LOADER >710C - BACKHOE, LOADER >710B and 710C Backhoe Loaders >4 ENGINE 4 >CONNECTING RODS AND PISTONS 0403 >0403-2 - CONNECTING ROD, PISTON, RINGS AND LINER (710B WITH 6329 ENGINE) [02C02]

KEY	PART NO.	PART NAME	QTY	710B	REMARKS
1	R74194	SCREW	12	X	(USE WITH AR55978)
1	R80033	CAP SCREW	12	X	(USE WITH RE16495 OR RE21076)
2	R55647	BUSHING	6	X	
3	SE500747	CONNECTING ROD	6	X	(SUB FOR AR55978, RE16495 OR RE21076) (REMANUFACTURED)
4	M41029	SNAP RING	12	X	
5	R125754	PISTON PIN	6	X	(SUB FOR R51731)
6	AR55759	PISTON RING KIT	6	X	
7	AR77762	PISTON	6	X	
8	T32343	CYLINDER LINER	6	X	
9	AR71618	KIT	6	X	
10	AR78041	PISTON-LINER KIT	6	X	
11	AT21138	BEARING	6	X	STANDARD (SET OF (2) T20011)
11	.....	BEARING	6	X	( AT21122 NO LONGER AVAILABLE) 0.05 MM (.002") UNDERSIZE (SET OF (2) T23566)
11	AT21124	BEARING	6	X	0.25 MM (.010") UNDERSIZE (SET OF (2) T23568)
11	AT21126	BEARING	6	X	0.51 MM (.020") UNDERSIZE (SET OF (2) T23570)
11	AT21128	BEARING	6	X	0.76 MM (.030") UNDERSIZE (SET OF (2) T23572)



**<https://www.ebooklibonline.com>**

Hello dear friend!

Thank you very much for reading.

Enter the link into your browser.

The full manual is available for immediate download.

**<https://www.ebooklibonline.com>**