

MP4210

KEY	PART NO.	PART NAME	QTY	REMARKS
1	M801186	BOLT	18	
2	M805849	ENGINE CYLINDER HEAD GASKET	1	(SUB FOR M801187)
3	AM875370	CYLINDER BLOCK	1	(INCLUDES PARTS MARKED WITH AN (A))
4	CH10335	PLUG	3	
5	CH10570	O-RING	2	
6	15H562	PIPE PLUG	1	1"
7	15H558	PIPE PLUG	1	1/8"
8	M806840	PLUG	1	(SUB FOR M800973)
9	M87801	PLUG	2	
10	30M7023	PLUG	8	(SUB FOR CH10642)
11	CH10554	PACKING	4	
12	15H666	PIPE PLUG	1	3/8"
13	19M7864	SCREW	4	M8 X 12 (HS, HEAD MARKED 10.9) (SUB FOR CH19137)
14	M800974	PIPE	2	
15	M800977	BUSHING	3	
16	M801189	BOLT	10	(A)
17	AM875371	BEARING	5	(A) (MAIN) STD.
17	AM875374	BEARING KIT	5	(A) .25 UNDERSIZE
18	AM875373	BEARING KIT	2	(A)
19	M800978	SHAFT	1	IDLER
20	CH19101	BOLT	2	
21	M89143	GUIDE	1	
22	AM100856	SWITCH	1	OIL PRESSURE
23	AM100800	DRAIN VALVE	1	
24	M802255	PIN	2	(SUB FOR CH10534, THIS APPLICATION)
25	CH18079	SPRING PIN	2	
26	CH10571	PACKING	1	
27	19M7865	SCREW	1	M8 X 16 (HS, HEAD MARKED 10.9)
28	M801197	DIPSTICK	1	
29	M801196	GUIDE	1	
30	BEARING CAP	1	(A) (SUB AM875370)
31	BEARING CAP	4	(A) (SUB AM875370)
..	MG847273	DIESEL ENGINE	1	(SUB FOR AM875597) COMPLETE (4TN82E-SP)

<https://www.ebooklibonline.com>

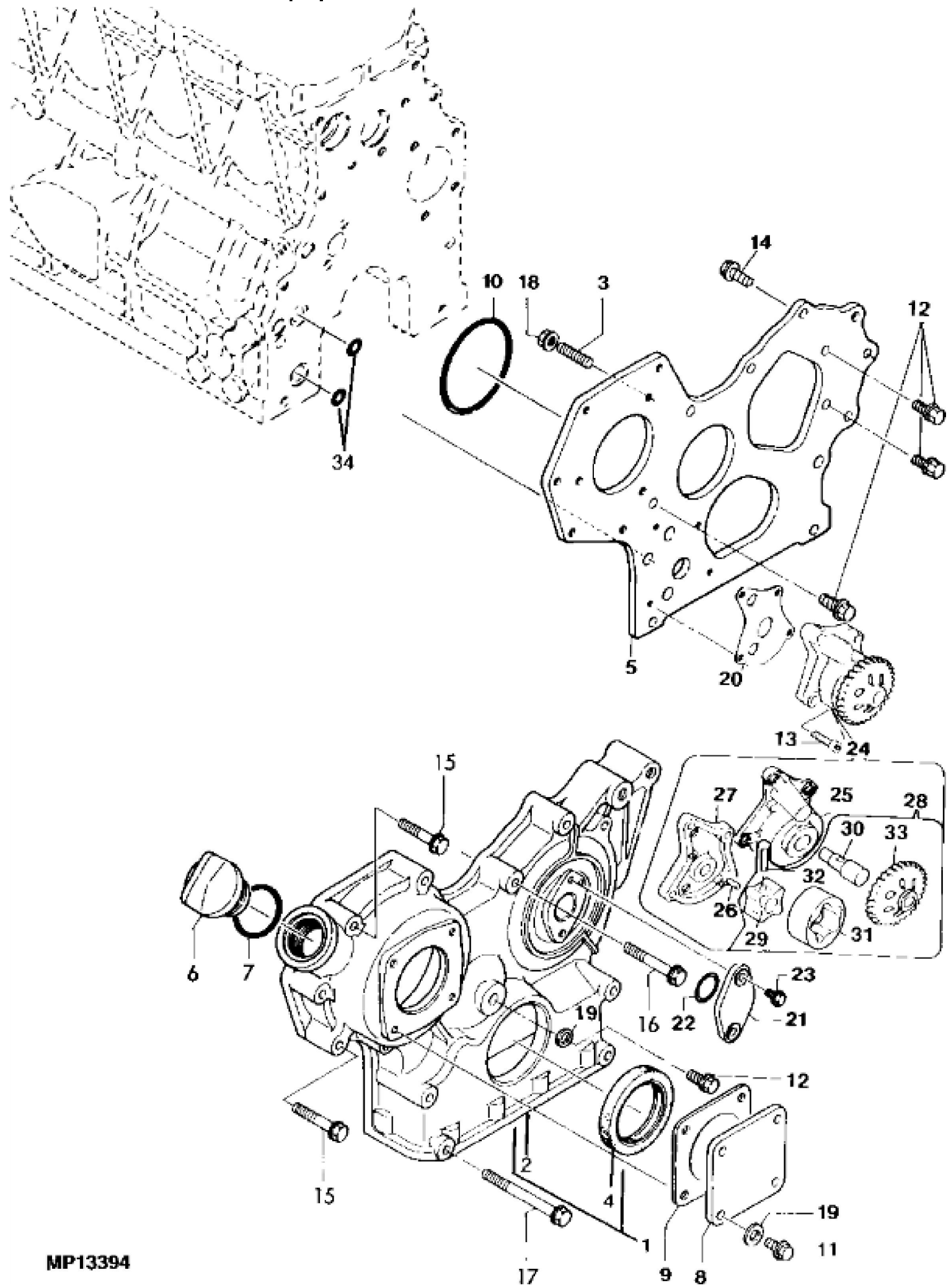
Hello dear friend!

Thank you very much for reading.

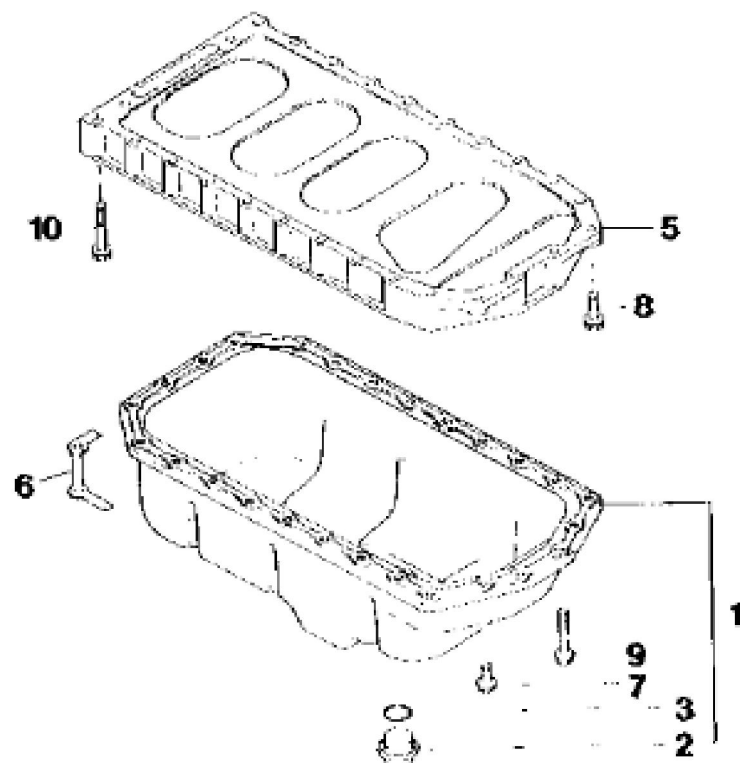
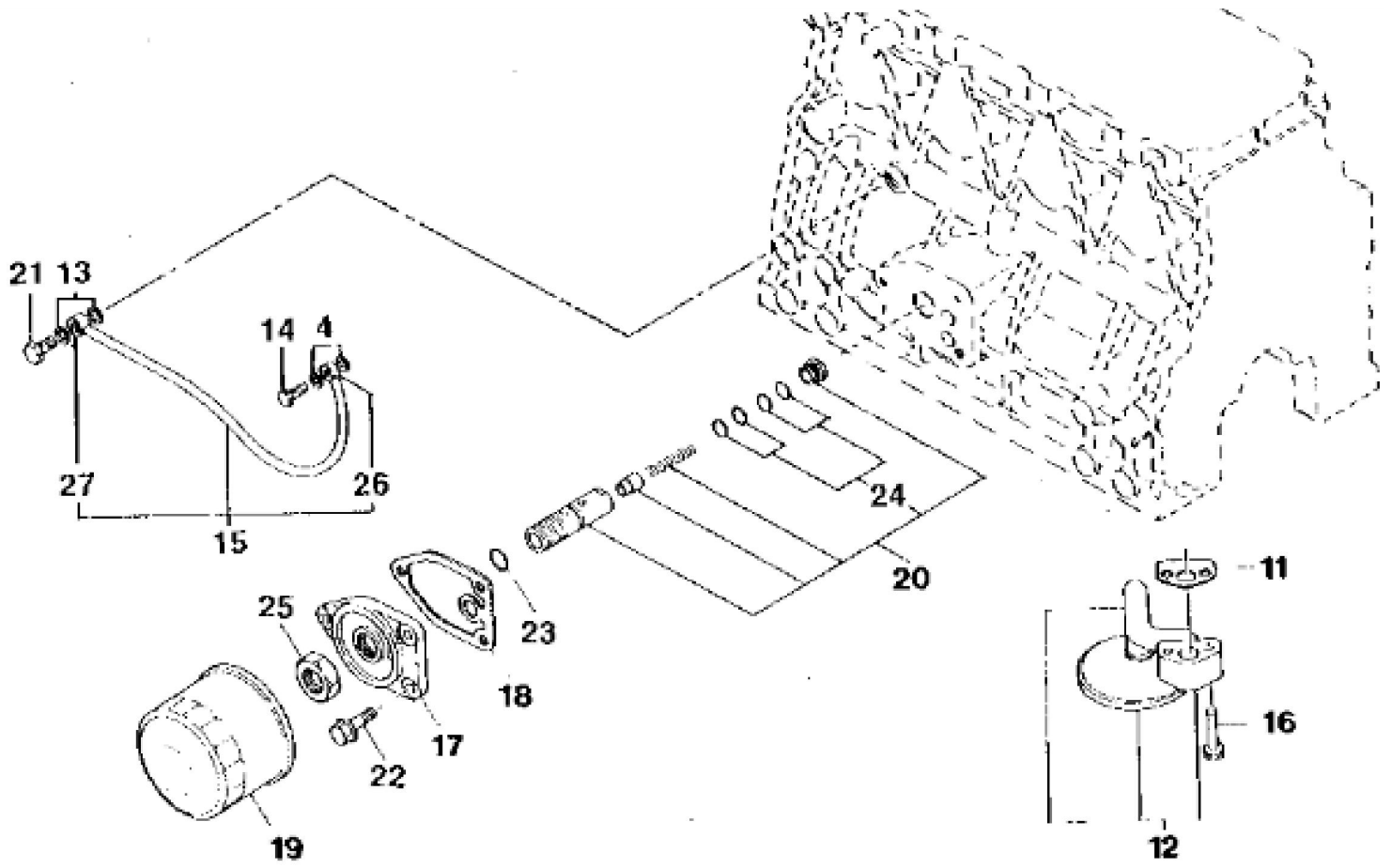
Enter the link into your browser.

The full manual is available for immediate download.

<https://www.ebooklibonline.com>



KEY	PART NO.	PART NAME	QTY	REMARKS
1	AM875303	COVER	1	(B)
2	COVER	1	(B) (SUB AM875303) (SUB FOR M800987)
3	CH15722	STUD	3	(B)
4	M800988	SEAL	1	(B)
5	M800989	PLATE	1	(A) (B)
6	M805710	CAP	1	(B) (SUB FOR CH10332)
7	M805711	PACKING	1	(B) (SUB FOR CH15414)
8	CH18096	COVER	1	(B)
9	M805696	GASKET	1	(B)
10	CH16940	O-RING	1	(B)
11	19M7864	SCREW	4	(B) M8 X 12 (HS, HEAD MARKED 10.9) (SUB FOR CH19137)
12	19M7865	SCREW	4	(B) M8 X 16 (HS, HEAD MARKED 10.9)
13	M800676	BOLT	4	
14	19M7866	SCREW	2	(B) M8 X 20 (HS, HEAD MARKED 10.9)
15	CH19101	BOLT	6	(B)
16	19M7979	SCREW	3	(B) M8 X 55 (HS, HEAD MARKED 10.9) (SUB FOR CH19090)
17	CH19136	BOLT	4	(B)
18	14M7298	FLANGE NUT	3	(B) M8
19	M806424	WASHER	5	(B) (SUB FOR CH10645)
20	M801005	GASKET	1	
21	M87874	COVER	1	
22	CH17653	PACKING	1	
23	19M7774	SCREW	2	M6 X 12 (HS, HEAD MARKED 10.9)
24	AM878891	OIL PUMP	1	(SUB FOR AM875377)
25	HOUSING	1	(SUB AM875377)
26	CH15933	PIN	2	
27	COVER	1	(SUB AM875377) (SUB FOR M801211)
28	ROTOR	1	(SUB AM878891) (SUB FOR AM875378)
29	ROTOR	1	INNER, (SUB AM875378)
30	SHAFT	1	(SUB AM875378)
31	ROTOR	1	OUTER, (SUB AM875378)
32	PIN	1	(SUB AM875378)
33	GEAR	1	(SUB AM875378)
34	CH10570	O-RING	2	(B)
..	AM878200	GEAR CASE	1	(INCLUDES PARTS MARKED "B")





Suggest:

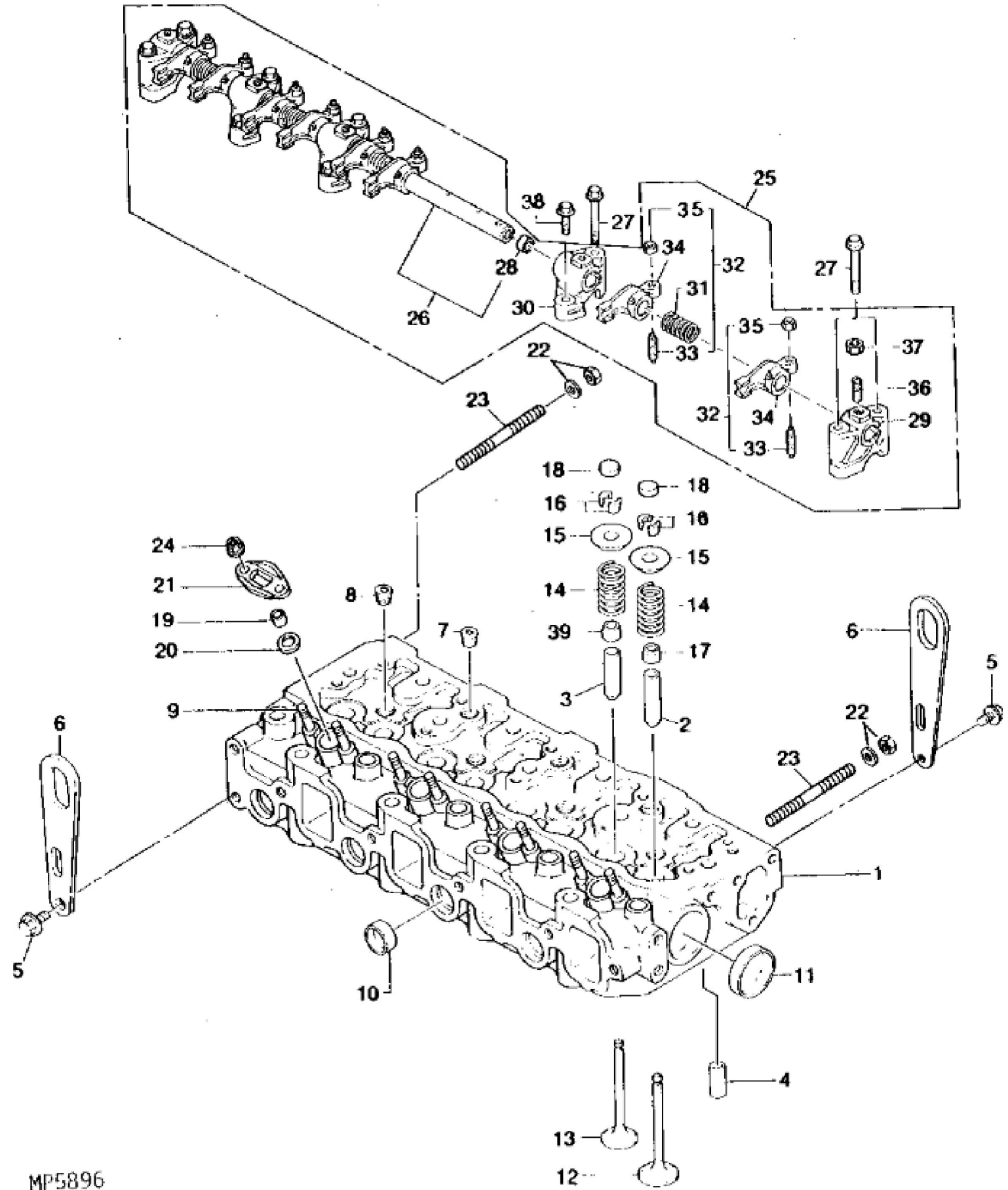
For more complete manuals. Please go to the home page.

<https://www.ebooklibonline.com>

If the above button click is invalid. Please download this document first, and then click the above link to download the complete manual.

Thank you so much for reading

KEY	PART NO.	PART NAME	QTY	REMARKS
1	AM875376	RESERVOIR	1	(A)
2	M800994	DRAIN PLUG	1	
3	CH13526	PACKING	1	(SUB FOR CH14582, THIS APPLICATION)
4	CH10645	WASHER	2	
5	M801207	INTERMEDIATE HOUSING	1	(A)
6	M801206	PLATE	2	
7	19M7865	SCREW	4	M8 X 16 (HS, HEAD MARKED 10.9)
8	19M7867	SCREW	2	M8 X 25 (HS, HEAD MARKED 10.9)
9	CH19101	BOLT	20	
10	19M7800	SCREW	4	M8 X 50 (HS, HEAD MARKED 10.9)
11	M805829	GASKET	1	(SUB FOR M800999)
12	M801208	STRAINER	1	
13	CH10555	WASHER	2	
14	CH15501	BOLT	1	
15	AM875396	PIPE	1	
16	19M7897	SCREW	2	M8 X 35 (HS, HEAD MARKED 10.9)
17	M801000	BRACKET	1	
18	M805830	GASKET	1	
19	M806419	OIL FILTER	1	(SUB FOR M801209)
20	AM880983	HYDRAULIC PRESSURE VALVE	1	(SUB FOR AM875306) PRESSURE
21	CH10361	BOLT	1	
22	19M7866	SCREW	3	M8 X 20 (HS, HEAD MARKED 10.9)
23	CH10570	O-RING	1	
24	AM875085	SHIM	1	KIT (NO LONGER FURNISHED)
25	M89148	NUT	1	
26	CONNECTOR	1	(SUB AM875396)
27	FITTING	1	(SUB AM875396)



MP5896

<https://www.ebooklibonline.com>

Hello dear friend!

Thank you very much for reading.

Enter the link into your browser.

The full manual is available for immediate download.

<https://www.ebooklibonline.com>