

KEY	PART NO.	PART NAME	QTY	REMARKS
1	CYLINDER BLOCK	1	(ORDER MG508000 SHORT BLOCK ASSEMBLY)
2	15H666	PIPE PLUG	1	3/8", (SUB FOR MG508010 OR 15H563)
3	PLUG	3	(B) (ORDER AM116314) R.H. AND REAR
4	PLUG	6	(A) 1/4", (ORDER AM116315)
5	PLUG	1	(A) 1/8", R.H. REAR, (ORDER AM116315)
6	DOWEL PIN	2	(C) 3/8" DIA. X 3/4", (ORDER AM116312) (SUB FOR MG508074)
7	PLUG	1	(B) 2-1/8" DIA. (ORDER AM116314)
8	MG508024	SEAL	2	(INCL. IN MG508022 GASKET KIT)
9	MG508003	CAP	1	
10	MG508002	CAP	1	INTERMEDIATE
11	MG508001	CAP	1	FRONT
12	MG508005	SCREW	6	
13	MG508114	OIL PAN	1	
14	WASHER	1	(D) (ORDER AM116316) (SUB FOR MG508116)
15	PLUG	1	(D) 1/2" - 20, (ORDER AM116316) (SUB FOR MG508117)
16	SCREW WITH WASHER	12	(D) M8 X 16, (ORDER AM116316) (SUB FOR MG508115)
17	DOWEL PIN	4	(C) FRONT AND REAR, (ORDER AM116312) (SUB FOR MG508004)
18	AM116312	ADAPTER KIT	1	DOWEL PIN, (INCL. PARTS MARKED "C")
19	AM116316	ADAPTER KIT	1	OIL PAN INSTALLATION, (INCL. PARTS MARKED "D")
20	AM116314	KIT	1	FREEZE PLUG, (INCL. PARTS MARKED "B")
21	AM116315	PIPE PLUG	1	PIPE PLUG, (INCL. PARTS MARKED "A" AND LEFT REAR CYL. HEAD PLUG)
..	MG508118	GASKET KIT	1	OIL PAN

<https://www.ebooklibonline.com>

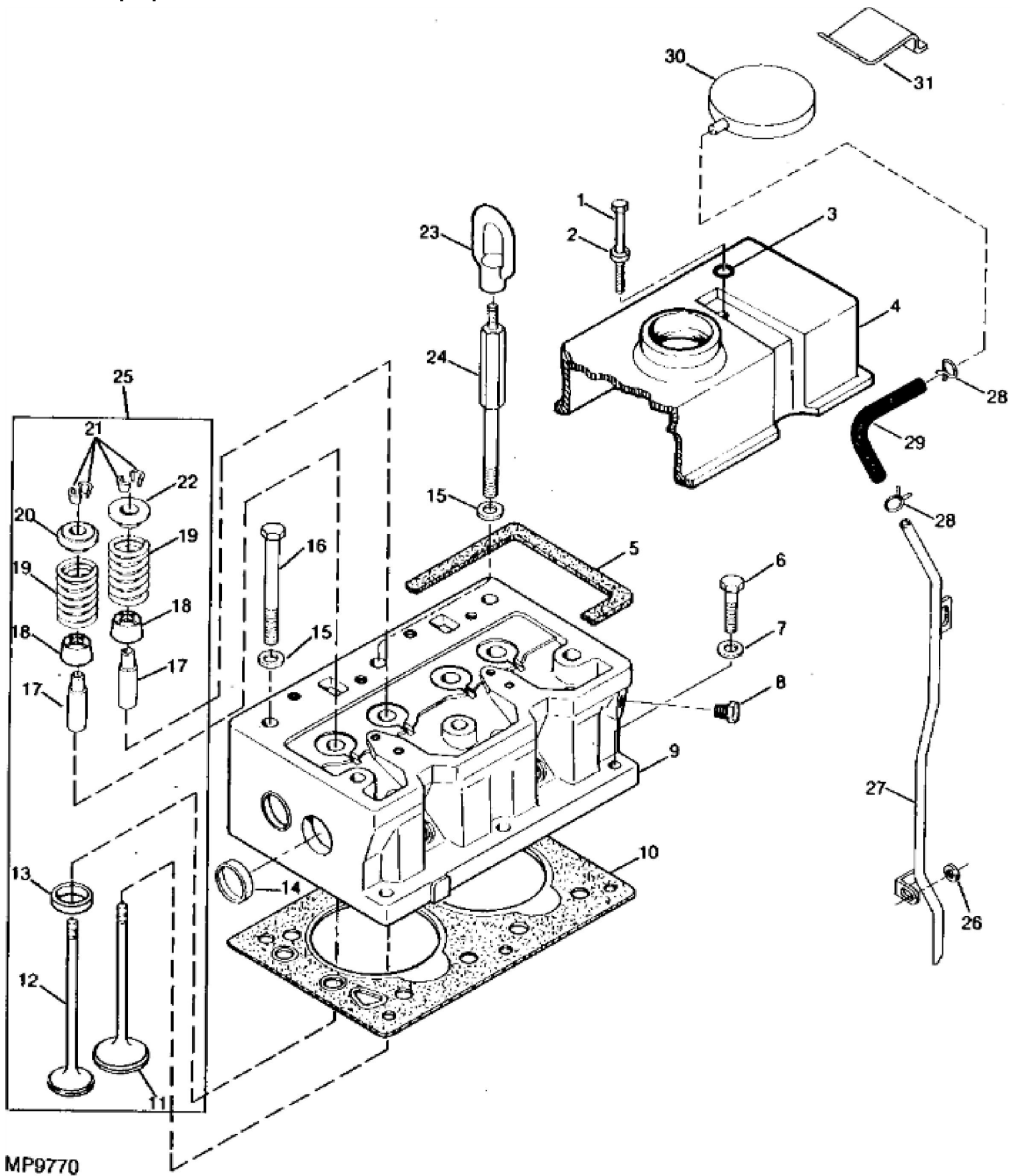
Hello dear friend!

Thank you very much for reading.

Enter the link into your browser.

The full manual is available for immediate download.

<https://www.ebooklibonline.com>



MP9770

KEY	PART NO.	PART NAME	QTY	REMARKS
1	19M8014	SCREW	2	M8 X 85, (SUB FOR (2) MG508112)
2	MG508111	WASHER	2	5/16"
3	MG508113	O-RING	2	(K) (NLA)
4	MG508109	COVER	1	
5	MG508110	GASKET	1	(K)
6	19M7382	CAP SCREW	3	M10 X 40, (SUB FOR (3) MG508017)
7	24H1884	WASHER	3	13/32" X 13/16" X 0.120"
8	PLUG	1	(A) (ORDER AM116315) (SUB FOR MG508009) LEFT REAR
9	MG508012	CYLINDER HEAD	1	
10	MG508013	GASKET	1	(K)
11	INTAKE VALVE	2	(SUB FOR MG508085) (ORDER AM116318 KIT)
12	EXHAUST VALVE	2	(SUB FOR MG508086) (ORDER AM116318 KIT)
13	VALVE SEAT INSERT	2	(SUB FOR MG508093) (ORDER AM116318 KIT)
14	AM116315	PIPE PLUG	4	(SUB FOR (4) MG508020) FRONT AND REAR
15	24M7047	WASHER	6	M13, (SUB FOR (6) MG508014)
16	MG508015	SCREW	5	M12 X 130
17	MG508088	GUIDE	4	
18	GUARD	4	(ORDER AM116318) (SUB FOR MG508087)
19	SPRING	2	(ORDER AM116318) (SUB FOR MG508089)
20	RETAINER	2	(ORDER AM116318) (SUB FOR MG508092)
21	MG508091	LOCK	8	
22	RETAINER	2	(ORDER AM116318) (SUB FOR MG508090)
23	EYELET	1	
24	MG508019	STUD	1	M12 - M14
25	AM116318	KIT	1	(NLA) VALVE ASSEMBLY
26	24H1305	WASHER	1	13/32" X 13/16" X 0.065", (SUB FOR MG87016)
27	MG508245	TUBE	1	BREATHER
28	C12999	CLAMP	2	(SUB FOR (2) MG508133)
29	MG508134	HOSE	1	(NLA)
30	MG508128	FILLER CAP	1	OIL
31	MG508246	RETAINER	1	
..	AM116315	PIPE PLUG	1	PIPE PLUG (INCL. PARTS MARKED "A" AND 6 INTAKE MANIFOLD PLUGS)



Suggest:

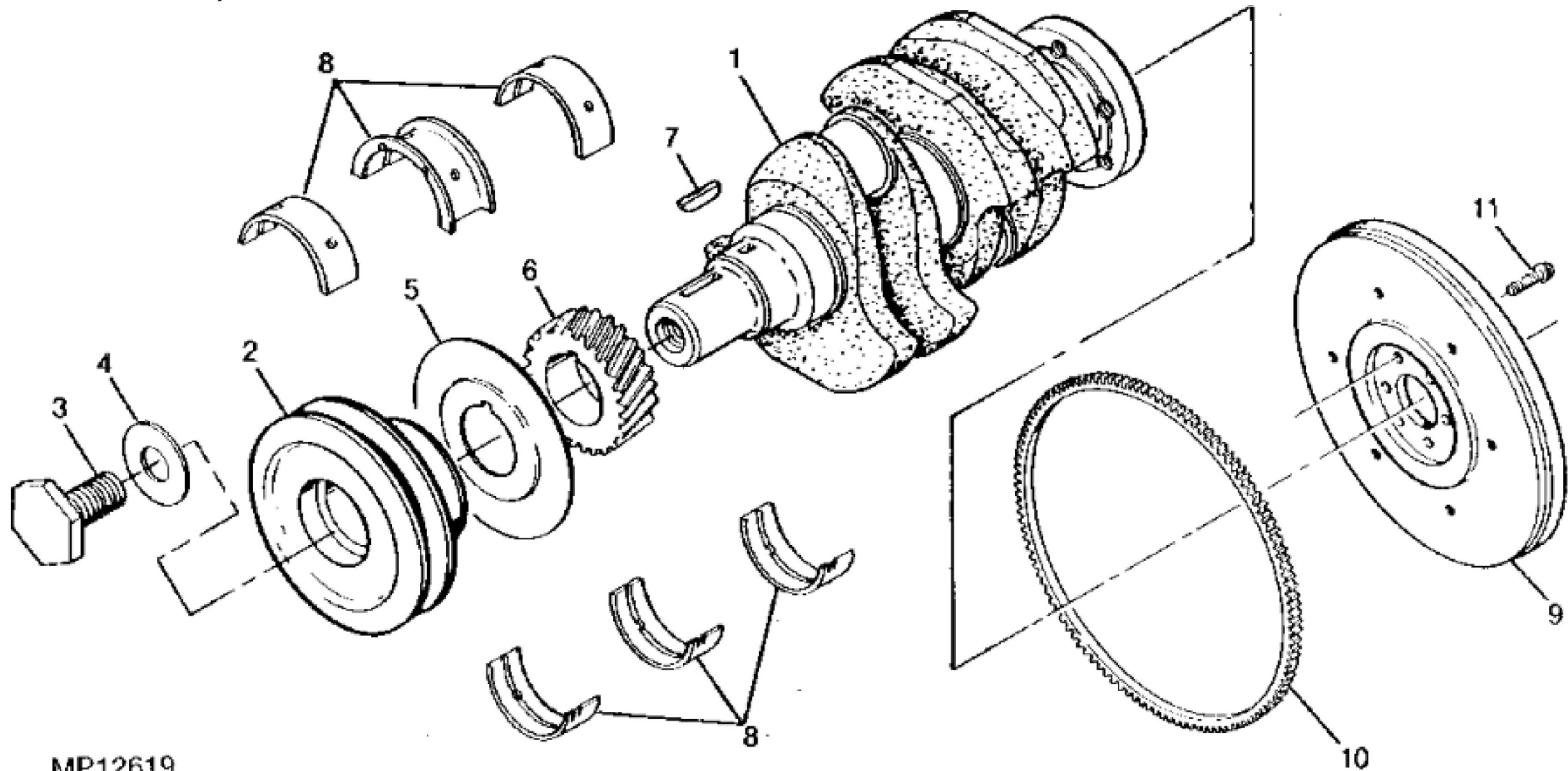
For more complete manuals. Please go to the home page.

<https://www.ebooklibonline.com>

If the above button click is invalid. Please download this document first, and then click the above link to download the complete manual.

Thank you so much for reading

KEY	PART NO.	PART NAME	QTY	REMARKS	
..	MG508022	KIT	1	GASKET, (INCL. PARTS MARKED "K" AND MG508180 DISTRIBUTOR GASKET, MG508143 MANIFOLD GASKET, (2) MG508024 CRANKSHAFT SEALS, MG508151 CARBURETOR GASKET, (2) AM116321 OUTLET HEADER GASKET, MG508177 OUTLET ELBOW GASKET	



MP12619

<https://www.ebooklibonline.com>

Hello dear friend!

Thank you very much for reading.

Enter the link into your browser.

The full manual is available for immediate download.

<https://www.ebooklibonline.com>