

ETN100132A

KEY	PART NO.	PART NAME	QTY	REMARKS	
1	SJ17515	RADIATOR	1		
2	SU315610	RADIATOR HOSE	1		
3	SU34891	HOSE	1		
4	SU321909	CLAMP	4		
5	SU321351	HOOK BOLT	1		
6	24M7055	WASHER	1	8.400 X 16 X 1.600 mm	
7	11M7078	COTTER PIN	1	2 X 20 mm	
8	12M7065	LOCK WASHER	3	8 mm	
9	14M7029	NUT	2	M8	
10	SU321348	GASKET	2		
11	14M7509	NUT	4	M10	
12	SU321349	BRACKET	1		

<https://www.ebooklibonline.com>

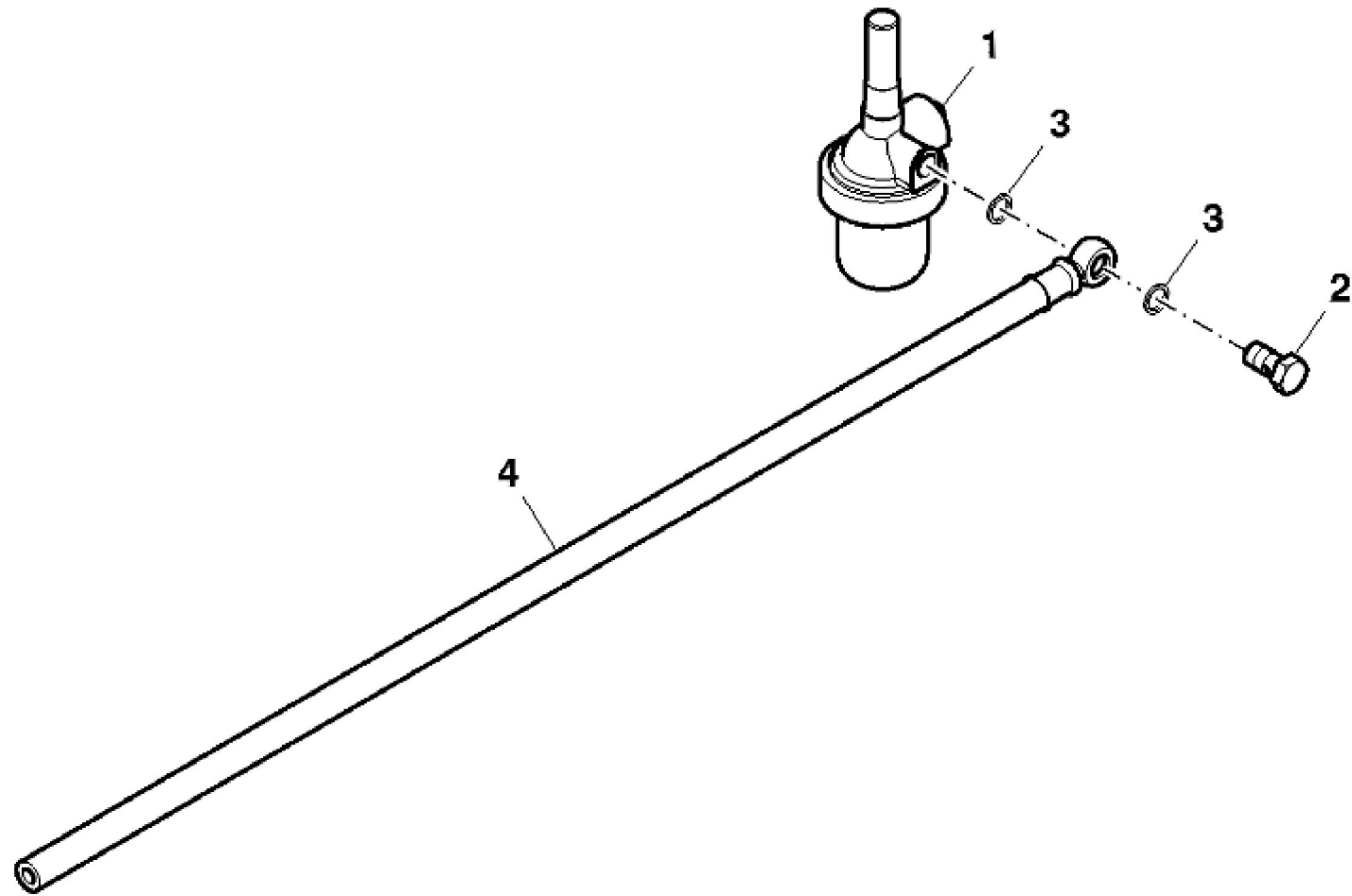
Hello dear friend!

Thank you very much for reading.

Enter the link into your browser.

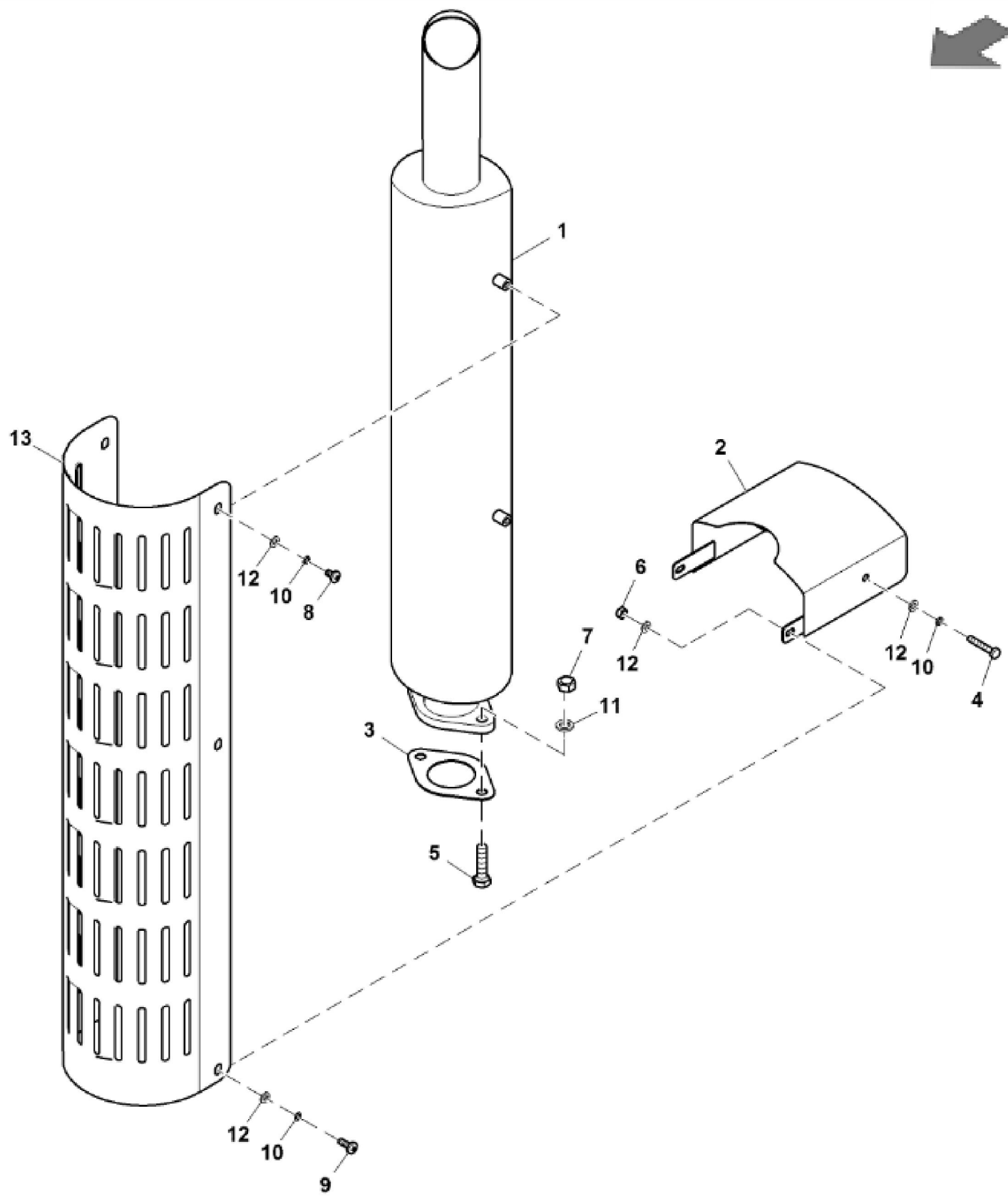
The full manual is available for immediate download.

<https://www.ebooklibonline.com>



ETN17966A

KEY	PART NO.	PART NAME	QTY	REMARKS	
1	SJ314512	FILTER	1		
2	SU317743	HOLLOW SCREW	1		
3	SU318515	WASHER	2		
4	SJ321354	TUBE	1		



ETN88551B



Suggest:

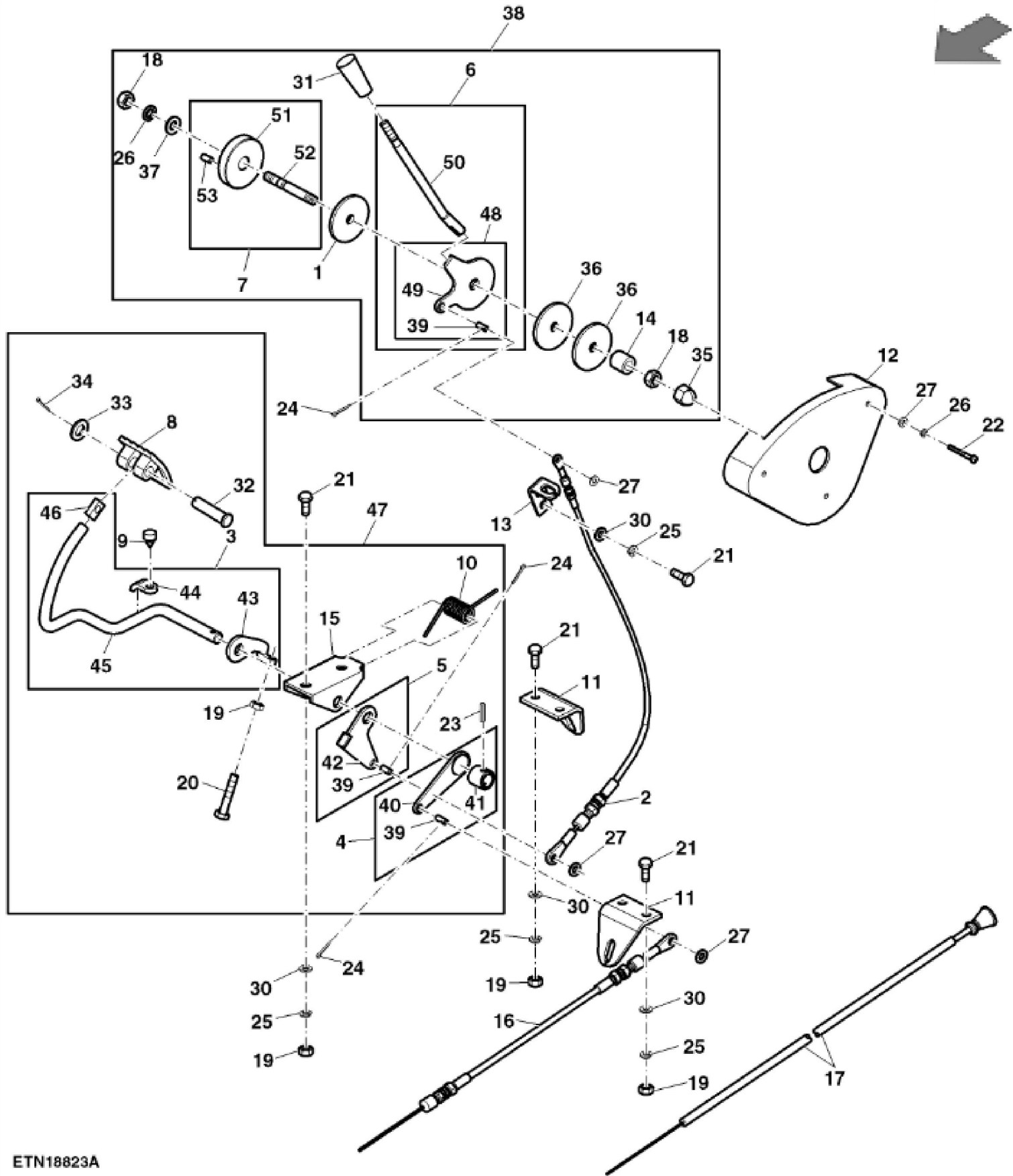
For more complete manuals. Please go to the home page.

<https://www.ebooklibonline.com>

If the above button click is invalid. Please download this document first, and then click the above link to download the complete manual.

Thank you so much for reading

KEY	PART NO.	PART NAME	QTY	REMARKS	
1	SJ14968	MUFFLER	1	SUB FOR SJ316536	
2	SJ316552	SHIELD	1		
3	SU316560	GASKET	1		
4	19M10108	SCREW	2	M6 X 35	
5	19M3148	CAP SCREW	2	M10 X 40	
6	14M7567	NUT	2	M6	
7	14M7509	NUT	2	M10	
8	21M7400	SCREW	4	M6 X 10	
9	21M7246	SCREW	2	M6 X 16	
10	SU318989	LOCK WASHER	8		
11	12M7066	LOCK WASHER	2	10 mm	
12	24M7054	WASHER	10	6.400 X 12 X 1.600 mm	
13	SU321355	COVER	1		



ETN18823A

<https://www.ebooklibonline.com>

Hello dear friend!

Thank you very much for reading.

Enter the link into your browser.

The full manual is available for immediate download.

<https://www.ebooklibonline.com>