

ETN145518A

| KEY | PART NO. | PART NAME | QTY | REMARKS | |
|-----|----------|-----------|-----|---------|--|
| 1 | SJ26348 | RADIATOR | 1 | | |
| 2 | SJ24132 | BRACKET | 1 | LH | |
| 3 | SJ24133 | BRACKET | 1 | RH | |
| 4 | SU313538 | HOSE | 1 | (Up) | |
| 5 | SU41387 | SEAL | 1 | | |
| 6 | SU321909 | CLAMP | 4 | | |
| 7 | SU41626 | HOSE | 1 | (Down) | |
| 8 | 19M7865 | SCREW | 4 | M8 X 16 | |

<https://www.ebooklibonline.com>

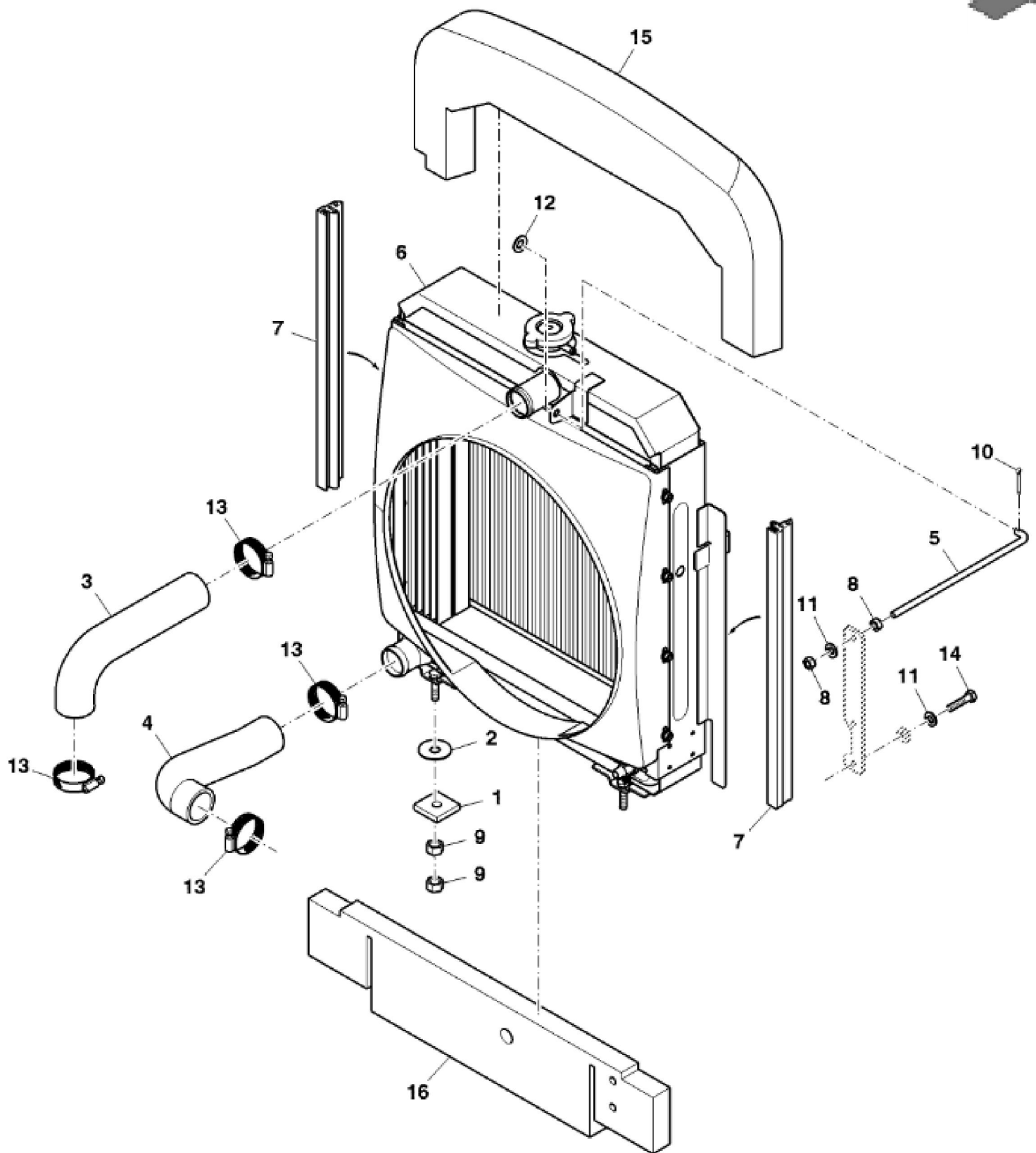
Hello dear friend!

Thank you very much for reading.

Enter the link into your browser.

The full manual is available for immediate download.

<https://www.ebooklibonline.com>



ETN95837A



Suggest:

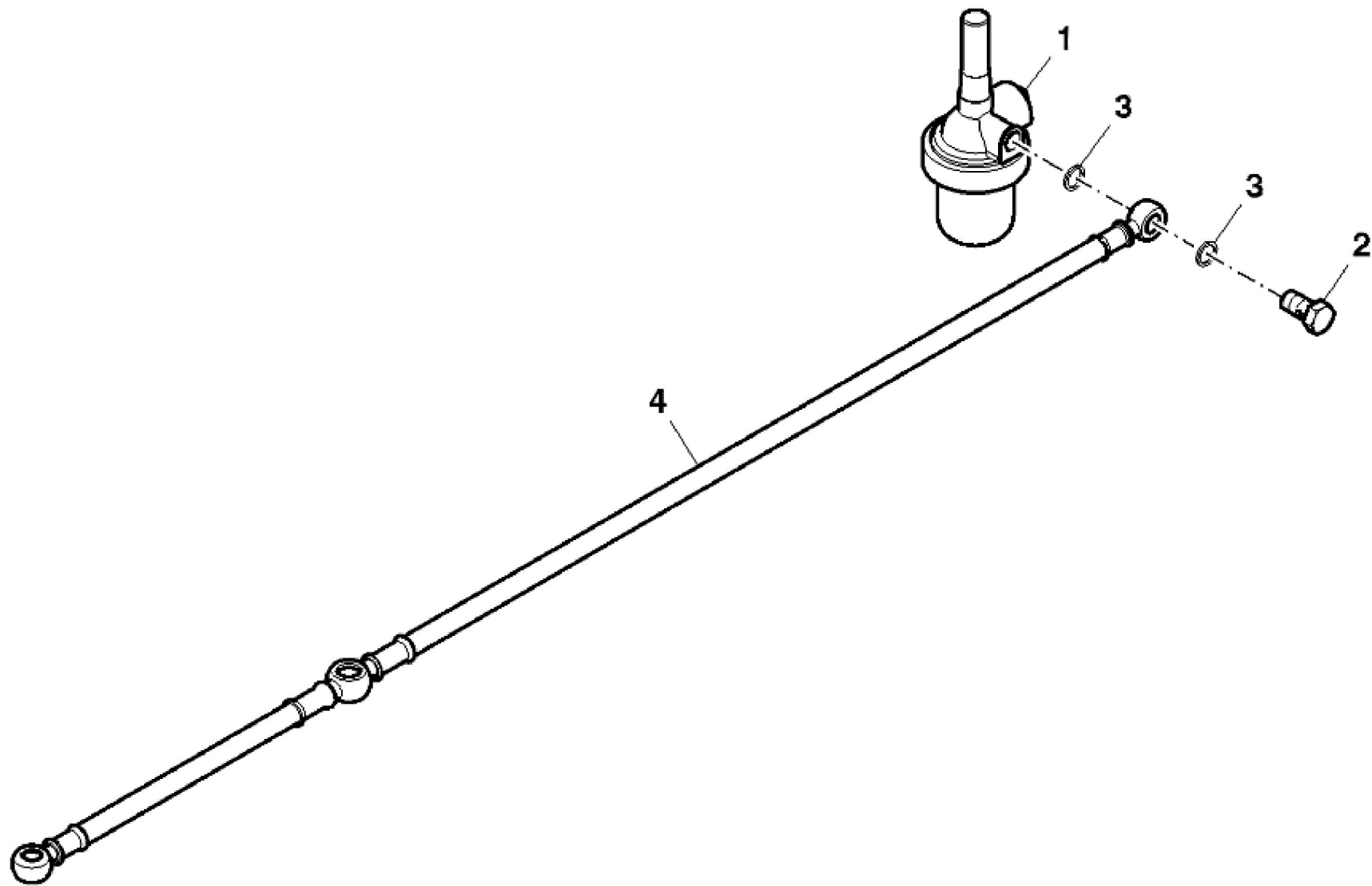
For more complete manuals. Please go to the home page.

<https://www.ebooklibonline.com>

If the above button click is invalid. Please download this document first, and then click the above link to download the complete manual.

Thank you so much for reading

| KEY | PART NO. | PART NAME | QTY | REMARKS | |
|-----|----------|-------------|-----|-----------------------|--|
| 1 | SU327503 | GASKET | 2 | | |
| 2 | SU318111 | WASHER | 2 | | |
| 3 | SU313538 | HOSE | 1 | Inlet | |
| 4 | SU31173 | HOSE | 1 | Outlet | |
| 5 | SU327258 | HOOK BOLT | 1 | | |
| 6 | SJ15883 | RADIATOR | 1 | | |
| 7 | SU319159 | ISOLATOR | 2 | | |
| 8 | 14M7029 | NUT | 2 | M8 | |
| 9 | 14M7512 | NUT | 4 | M12 | |
| 10 | 11M7078 | COTTER PIN | 1 | 2 X 20 mm | |
| 11 | SU318990 | LOCK WASHER | 1 | | |
| 12 | 24M7055 | WASHER | 1 | 8.400 X 16 X 1.600 mm | |
| 13 | SU321909 | CLAMP | 4 | | |
| 14 | 19M7298 | CAP SCREW | 2 | M8 X 35 | |
| 15 | SU327898 | SEAL | 1 | Above | |
| 16 | SU30357 | SEAL | 1 | Below | |



ETN17965A

<https://www.ebooklibonline.com>

Hello dear friend!

Thank you very much for reading.

Enter the link into your browser.

The full manual is available for immediate download.

<https://www.ebooklibonline.com>