

CD11043

KEY	PART NO.	PART NAME	QTY	415B	515B	REMARKS
1	R48685	DOWEL PIN	2	X	X	
2	15H690	PIPE PLUG	1	X	X	3/4", (USE WITH AR97218)
2	15H649	PIPE PLUG	1	X	X	3/4", (USE WITH RE25595)
3	R26241	DOWEL PIN	2	X	X	
4	AT13740	DRAIN VALVE	1	X	X	
5	15H275	PIPE PLUG	1	X	X	1/4"
6	R122226	STUD	2	X	X	(SUB FOR R122226)
6	T25701	STUD	1	X	X	
7	RE12310	PIPE PLUG	5	X	X	
8	R57160	BUSHING	6	X	X	
9	T18891	PLUG	2	X	X	
10	R26493	BUSHING	1	X	X	
11	R26650	DOWEL PIN	2	X	X	
12	15H623	PIPE PLUG	1	X	X	3/8"
13	AR82294	BEARING CAP	4	X	X	
14	T20168	WASHER	10	X	X	
15	T23474	CAP SCREW	10	X	X	
16	R75892	O-RING	1	X	X	
17	R75893	FITTING	1	X	X	(USE WITH AR97218)
18	R54802	ORIFICE	4	X	X	
19	T23435	THREADED NIPPLE	1	X	X	
20	RE25595	CYLINDER BLOCK	1	X	X	ASSEMBLY, (SUB FOR AR97218) (ALSO ORDER (18) T20182)

**<https://www.ebooklibonline.com>**

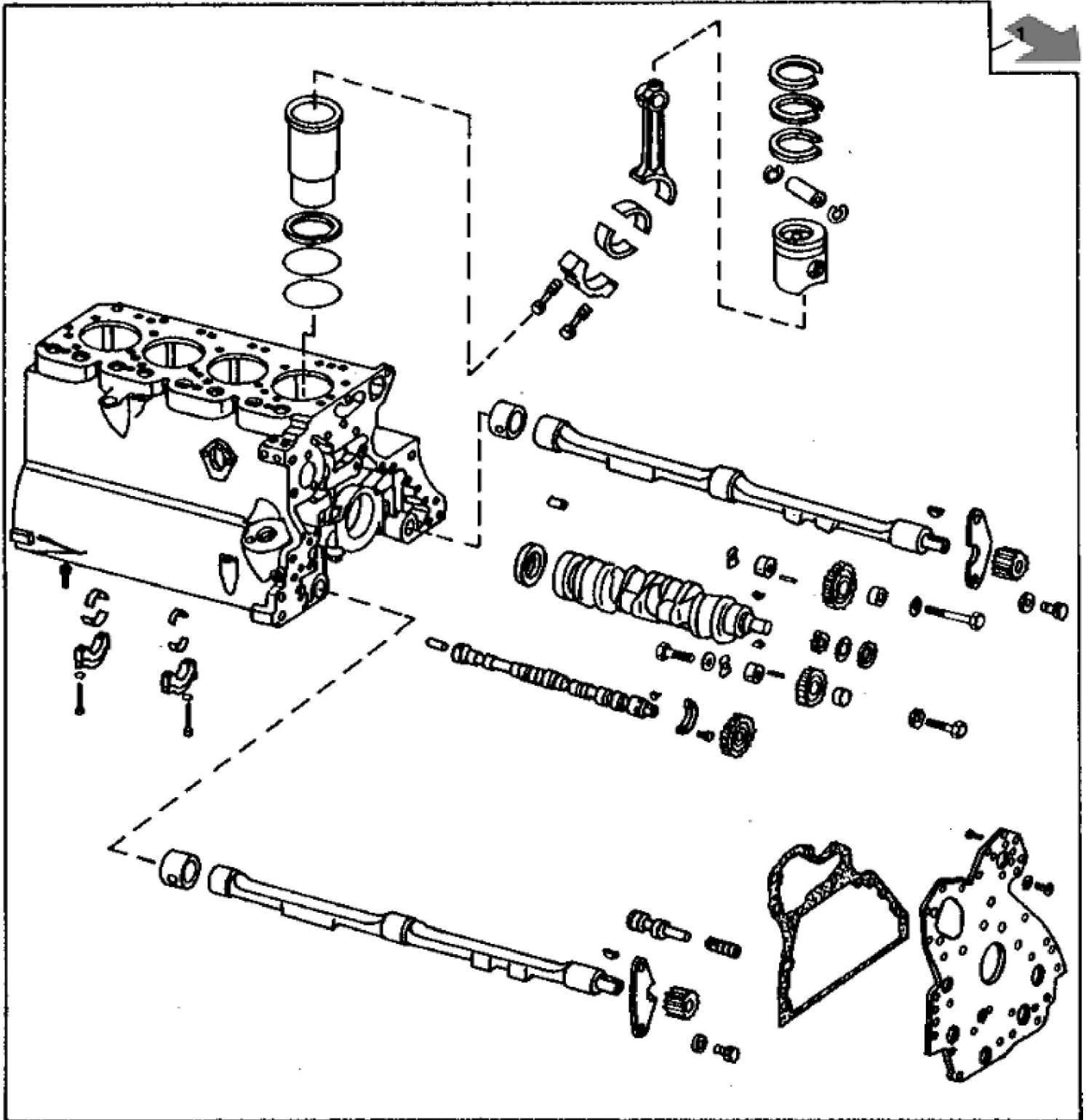
Hello dear friend!

Thank you very much for reading.

Enter the link into your browser.

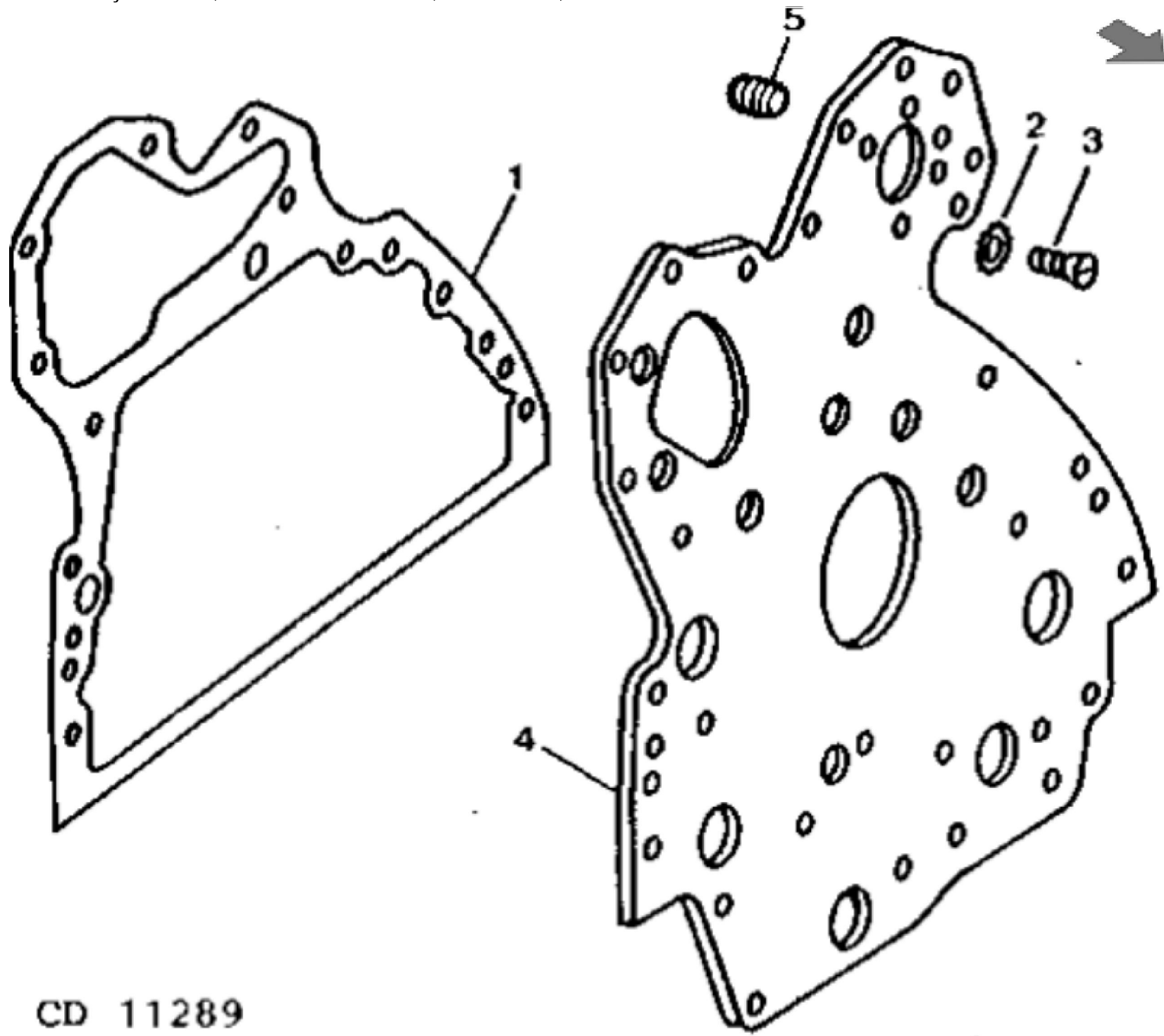
The full manual is available for immediate download.

**<https://www.ebooklibonline.com>**



John Deere > Construction And Forestry >BACKHOE, LOADER >515B - BACKHOE, LOADER >415B, 515B Backhoe Loaders >4 ENGINE 4 >CYLINDER BLOCK 0404 >0404-2 - ENGINE SHORT BLOCK  
[01E15]

KEY	PART NO.	PART NAME	QTY	415B	515B	REMARKS	
1	RE16815	SHORT BLOCK ASSEMBLY	1	X		(ALSO INCLUDES ENGINE OVERHAUL GASKET SET)	
1	RE16814	SHORT BLOCK ASSEMBLY	AR		X	(ALSO INCLUDES ENGINE OVERHAUL GASKET SET)	



CD 11289



**Suggest:**

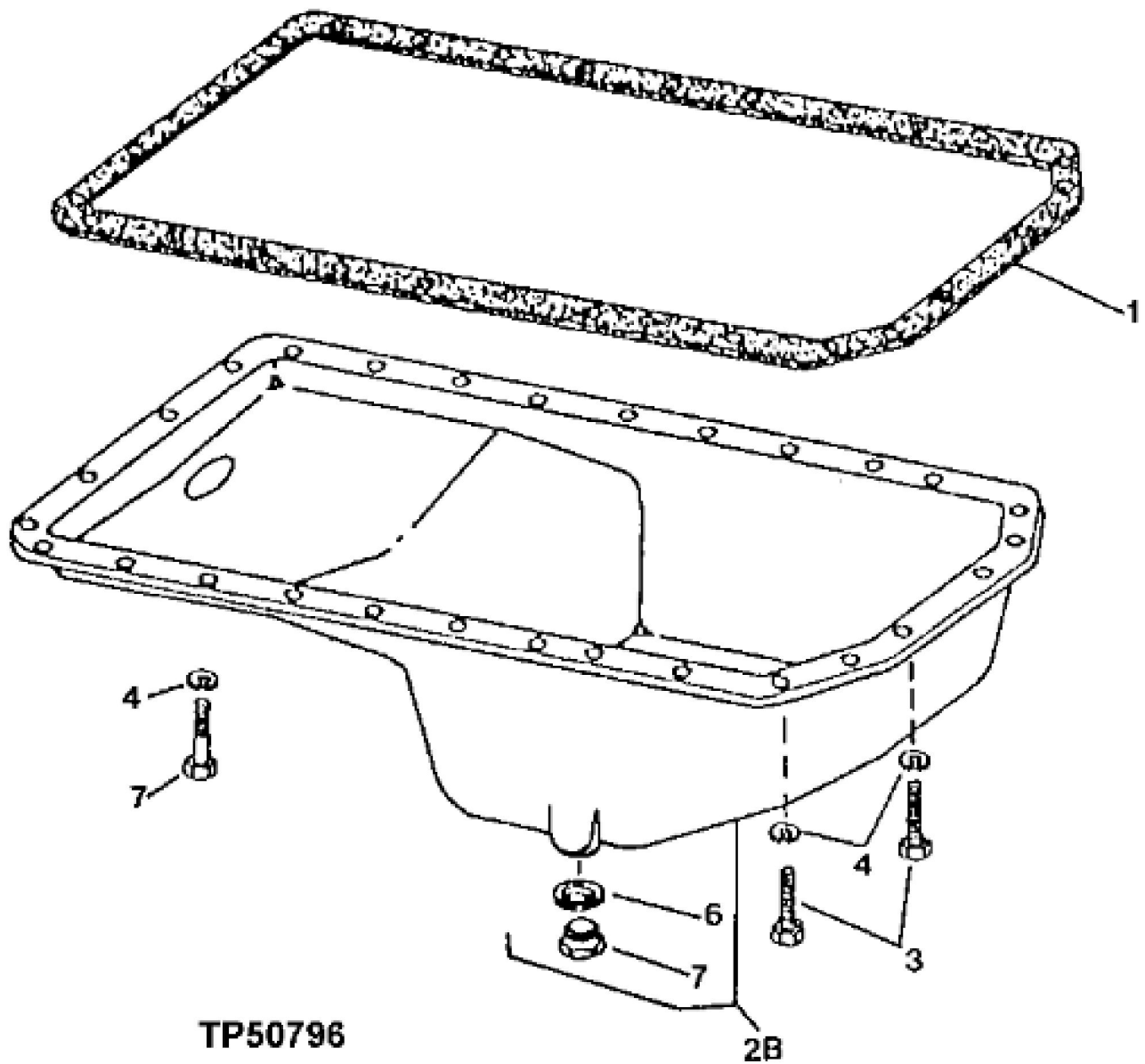
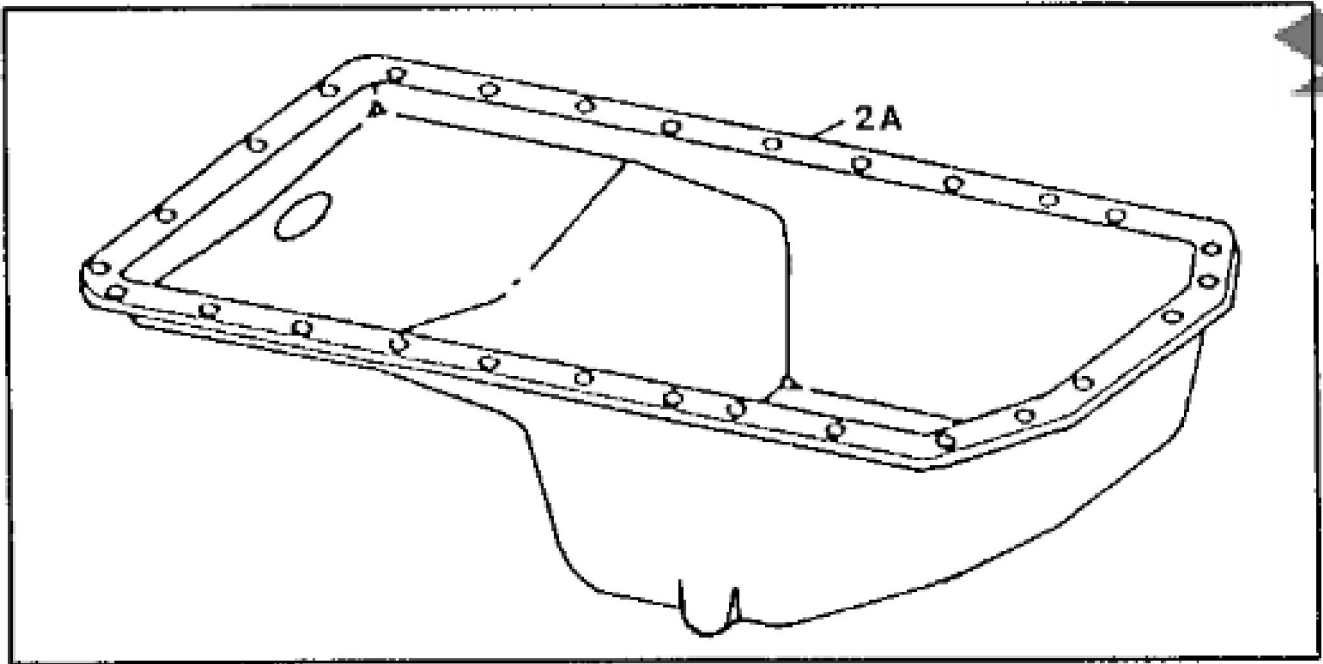
**For more complete manuals. Please go to the home page.**

**<https://www.ebooklibonline.com>**

**If the above button click is invalid. Please download this document first, and then click the above link to download the complete manual.**

**Thank you so much for reading**

KEY	PART NO.	PART NAME	QTY	415B	515B	REMARKS	
1	R131794	GASKET	1	X	X	(SUB FOR R90648)	
2	12H324	WASHER	5	X	X	3/8", EXTERNAL TOOTH	
3	T20166	SCREW	5	X	X		
4	R79863	PLATE	1	X	X	(ALSO ORDER (8) AT21191, (2) AT22929) (SUB FOR R77149)	
5	AT21191	SET SCREW	8	X	X	5/16" X 0.380"	
5	AT22919	SET SCREW	2	X	X	3/8" X 0.380"	



TP50796

**<https://www.ebooklibonline.com>**

Hello dear friend!

Thank you very much for reading.

Enter the link into your browser.

The full manual is available for immediate download.

**<https://www.ebooklibonline.com>**