

John Deere > Construction And Forestry >BACKHOE, LOADER >410L - BACKHOE, LOADER >410L Backhoe Loader (Engine 4045HT087, 4045TT096)(PIN: 1T0410LX_C273920-)(PIN: 1T0410LX_ _D273920-) >04A ENGINE 4045HT087-RE566133 >0400A ENGINE 4045HT087-RE566133 4045HT087 >ST349518 - 1160 ROCKER ARM COVER

KEY	PART NO.	PART NAME	QTY	REMARKS	
1	RE527858	SCREW	2		
2	R522409	HEAT SHIELD	1		
3	H23125	PLUG	4		
4	R123574	NUT	4		
5	R123575	O-RING	4		
6	R520896	VALVE COVER	1	(Not Illustrated) ORDER R543879	
6	R543879	VALVE COVER	1	MARKED R543880	
7	R524468	GASKET	1		
8	RE528742	DEFLECTOR	1		
9	19M7862	SCREW	1	M6 X 20	

<https://www.ebooklibonline.com>

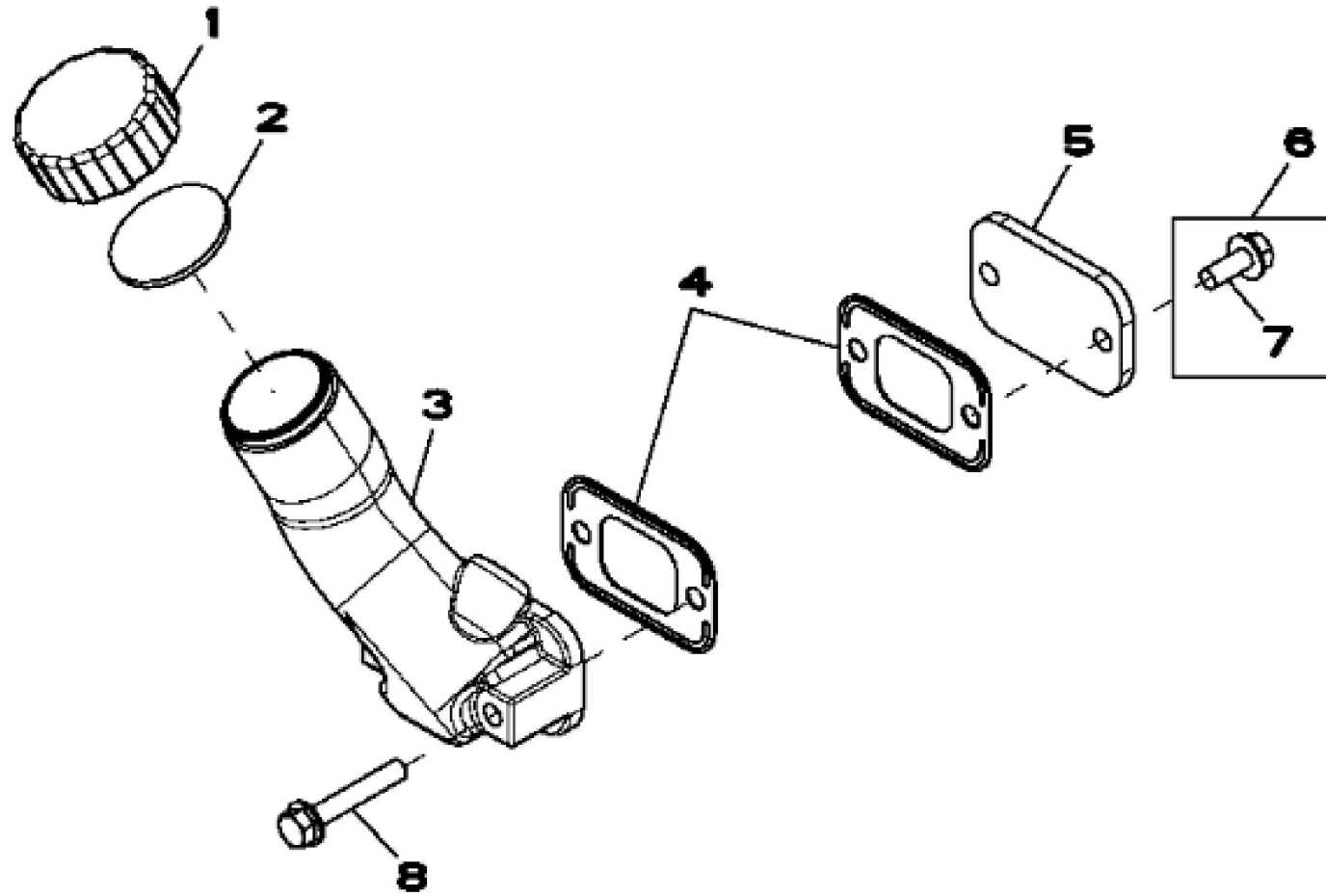
Hello dear friend!

Thank you very much for reading.

Enter the link into your browser.

The full manual is available for immediate download.

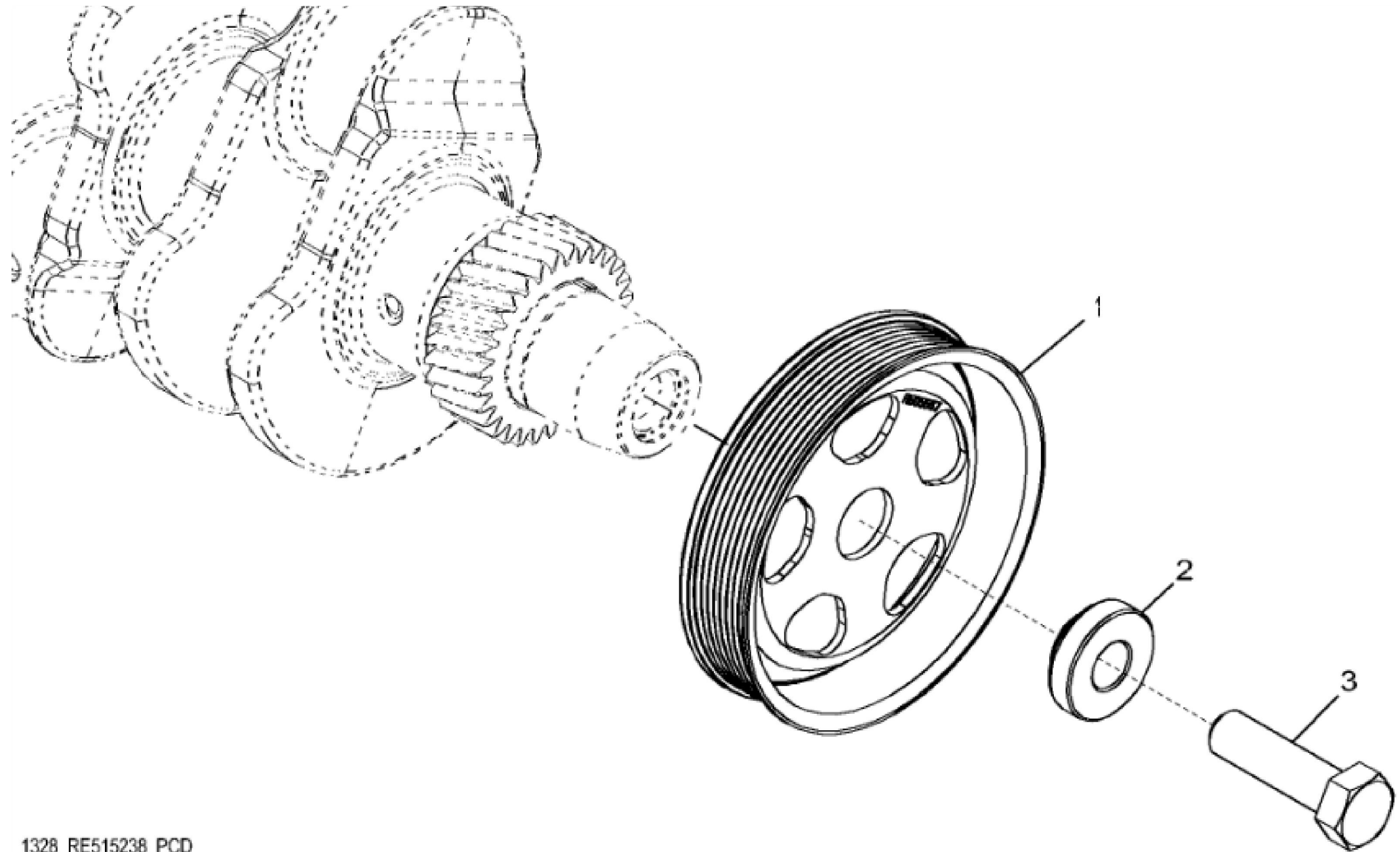
<https://www.ebooklibonline.com>



RE515712PCDD02

John Deere > Construction And Forestry >BACKHOE, LOADER >410L - BACKHOE, LOADER >410L Backhoe Loader (Engine 4045HT087, 4045TT096)(PIN: 1T0410LX_C273920-)(PIN: 1T0410LX_D273920-) >04A ENGINE 4045HT087-RE566133 >0400A ENGINE 4045HT087-RE566133 4045HT087 >ST2266 - 1229 OIL FILLER NECK

KEY	PART NO.	PART NAME	QTY	REMARKS	
1	R80136	FILLER CAP	1		
2	R80135	GASKET	1		
3	R517353	FILLER NECK	1	(SUB FOR R123558)	
4	R136495	GASKET	2		
5	R116296	COVER	1		
6	RE67238	SCREW	2	W PREAPPLIED SEALANT	
7	19M7866	SCREW	1	M8 X 20	
8	RE67240	SCREW	2	(USE WITH R123558)	
8	19M7799	SCREW	2	M8 X 45, (USE WITH R517353)	



1328_RE515238_PCD



Suggest:

For more complete manuals. Please go to the home page.

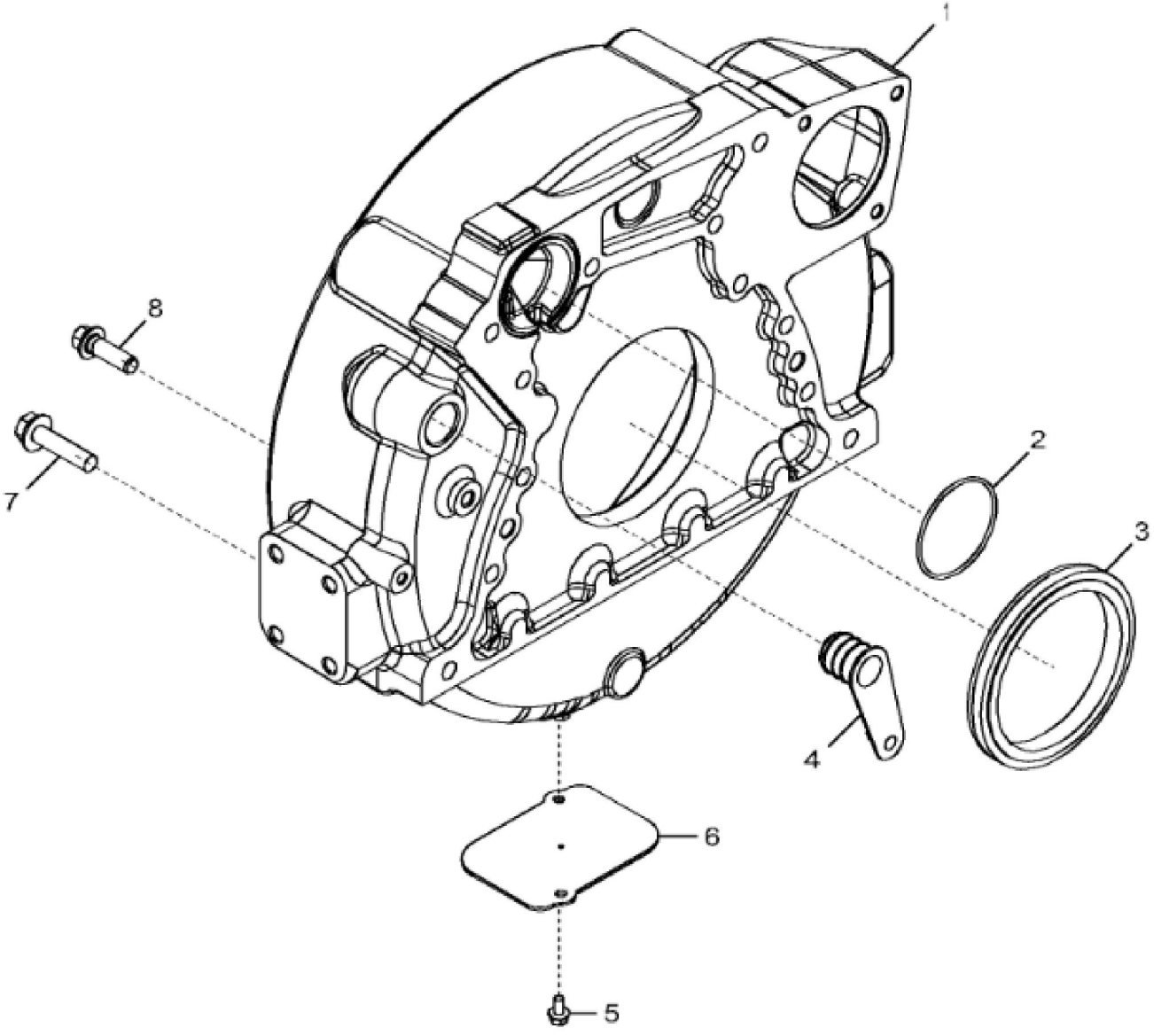
<https://www.ebooklibonline.com>

If the above button click is invalid. Please download this document first, and then click the above link to download the complete manual.

Thank you so much for reading

John Deere > Construction And Forestry >BACKHOE, LOADER >410L - BACKHOE, LOADER >410L Backhoe Loader (Engine 4045HT087, 4045TT096)(PIN: 1T0410LX_C273920-)(PIN: 1T0410LX_D273920-) >04A ENGINE 4045HT087-RE566133 >0400A ENGINE 4045HT087-RE566133 4045HT087 >ST628039 - 1328 CRANKSHAFT PULLEY

KEY	PART NO.	PART NAME	QTY	REMARKS	
1	R505567	PULLEY	1	OD = 173 mm	
2	R515040	BUSHING	1	OD = 50 mm	
3	R516648	CAP SCREW	1	(One Time Usage) M20 X 70	



<https://www.ebooklibonline.com>

Hello dear friend!

Thank you very much for reading.

Enter the link into your browser.

The full manual is available for immediate download.

<https://www.ebooklibonline.com>