

| KEY | PART NO. | PART NAME   | QTY | REMARKS                         |
|-----|----------|-------------|-----|---------------------------------|
| 1   | RE527858 | SCREW       | 2   |                                 |
| 2   | R522409  | HEAT SHIELD | 1   |                                 |
| 3   | H23125   | PLUG        | 4   |                                 |
| 4   | R123574  | NUT         | 4   |                                 |
| 5   | R123575  | O-RING      | 4   |                                 |
| 6   | R520896  | VALVE COVER | 1   | (Not Illustrated) ORDER R543879 |
| 6   | R543879  | VALVE COVER | 1   | MARKED R543880                  |
| 7   | R524468  | GASKET      | 1   |                                 |
| 8   | RE528742 | DEFLECTOR   | 1   |                                 |
| 9   | 19M7862  | SCREW       | 1   | M6 X 20                         |

**<https://www.ebooklibonline.com>**

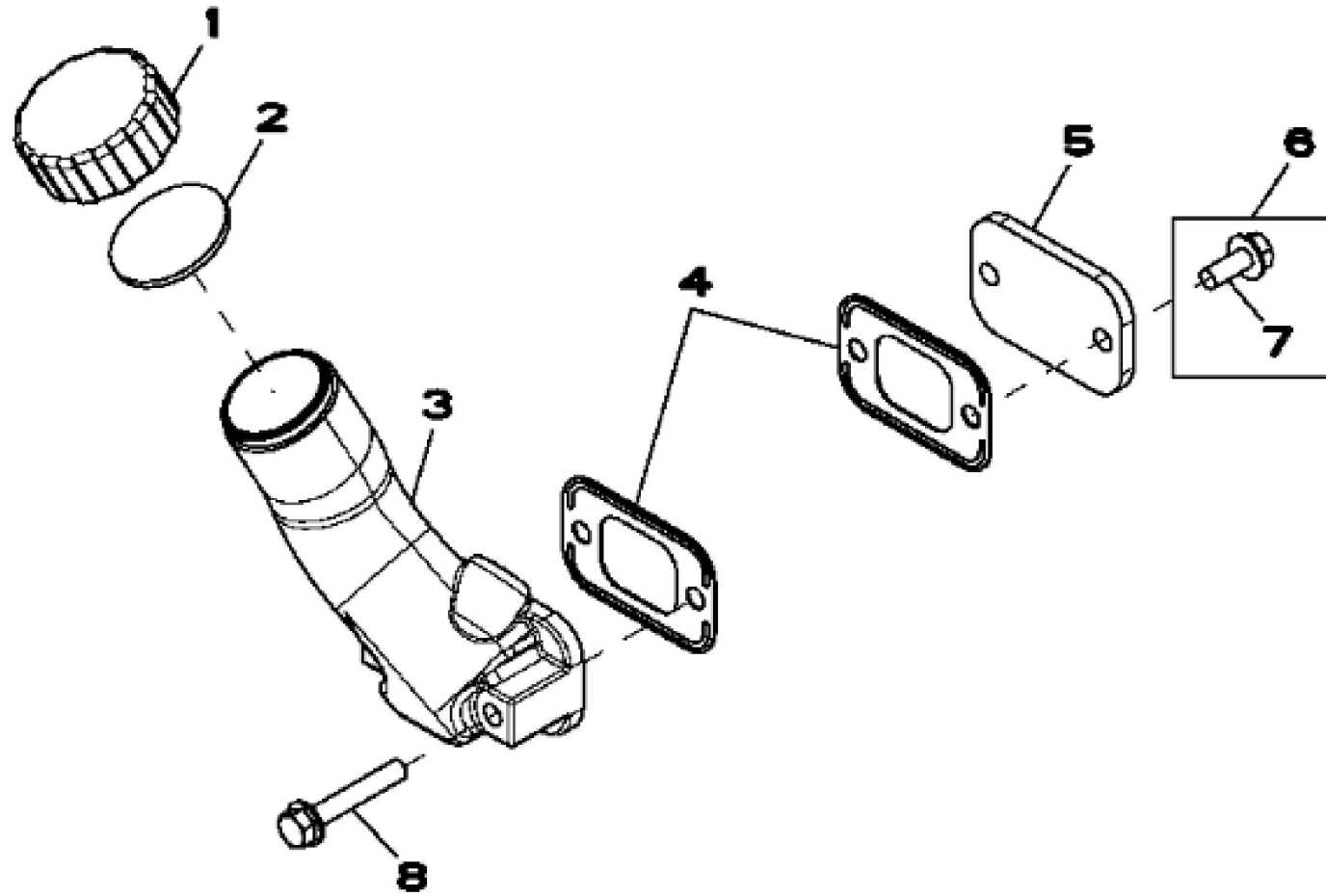
Hello dear friend!

Thank you very much for reading.

Enter the link into your browser.

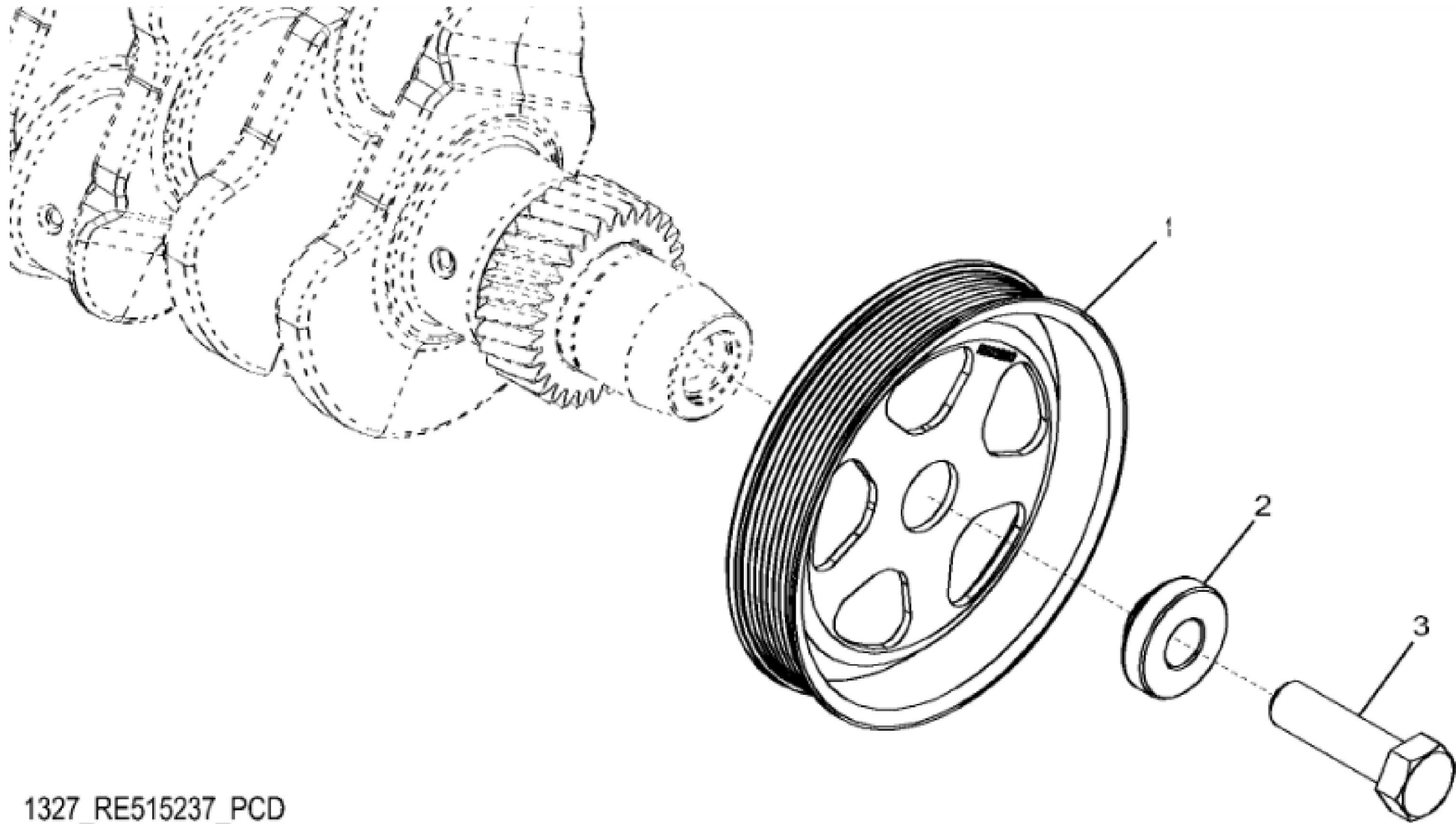
The full manual is available for immediate download.

**<https://www.ebooklibonline.com>**



RE515712PCDD02

| KEY | PART NO. | PART NAME   | QTY | REMARKS                    |  |
|-----|----------|-------------|-----|----------------------------|--|
| 1   | R80136   | FILLER CAP  | 1   |                            |  |
| 2   | R80135   | GASKET      | 1   |                            |  |
| 3   | R517353  | FILLER NECK | 1   |                            |  |
| 4   | R136495  | GASKET      | 2   |                            |  |
| 5   | R116296  | COVER       | 1   |                            |  |
| 6   | RE67238  | SCREW       | 2   | (WITH PRE-APPLIED SEALANT) |  |
| 7   | 19M7866  | SCREW       | 1   | M8 X 20                    |  |
| 8   | 19M7799  | SCREW       | 2   | M8 X 45                    |  |



1327\_RE515237\_PCD



**Suggest:**

**For more complete manuals. Please go to the home page.**

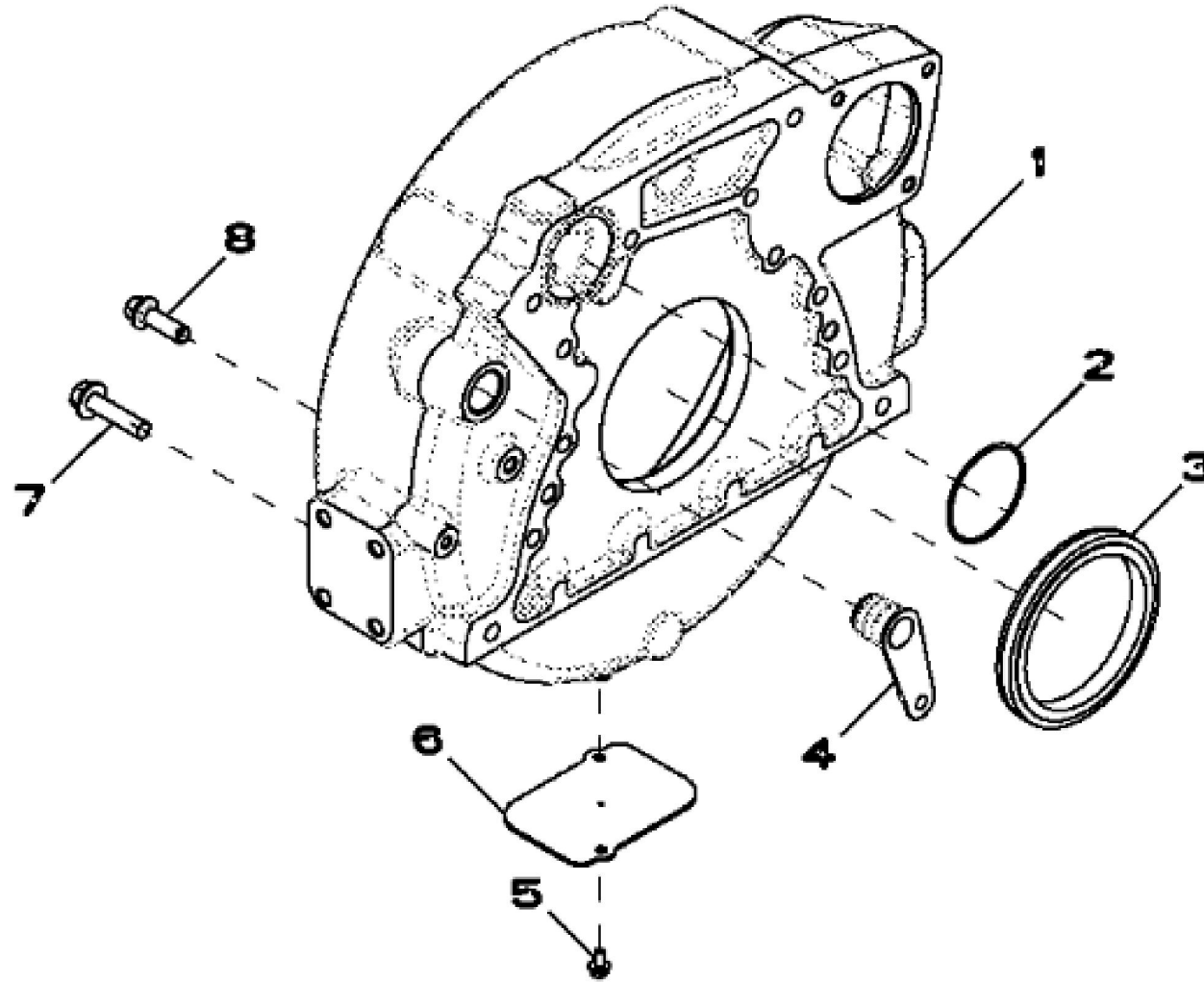
**<https://www.ebooklibonline.com>**

**If the above button click is invalid. Please download this document first, and then click the above link to download the complete manual.**

**Thank you so much for reading**

John Deere > Construction And Forestry >BACKHOE, LOADER >410J - BACKHOE, LOADER >410J Backhoe Loader >04A ENGINE 4045HL288-SE503031 >0400A ENGINE 4045HL288-SE503031 4045HL288  
>ST308624 - 1327 CRANKSHAFT PULLEY

| KEY | PART NO. | PART NAME | QTY | REMARKS     |  |
|-----|----------|-----------|-----|-------------|--|
| 1   | R503880  | PULLEY    | 1   | OD = 188 mm |  |
| 2   | R515040  | BUSHING   | 1   | OD = 50 mm  |  |
| 3   | R516648  | CAP SCREW | 1   | M20 X 70    |  |



RE502001PCDE02

**<https://www.ebooklibonline.com>**

Hello dear friend!

Thank you very much for reading.

Enter the link into your browser.

The full manual is available for immediate download.

**<https://www.ebooklibonline.com>**