

TP69529

ROCKER ARM COVER AND GASKET

KEY	PART NO.	PART NAME	QTY	REMARKS	
1	H23125	PLUG	4		
2	R123574	NUT	4		
3	R123575	O-RING	4		
4	R116324	MEDALLION	1		
5	RE502969	VALVE COVER	1		
6	R123542	GASKET	1		

<https://www.ebooklibonline.com>

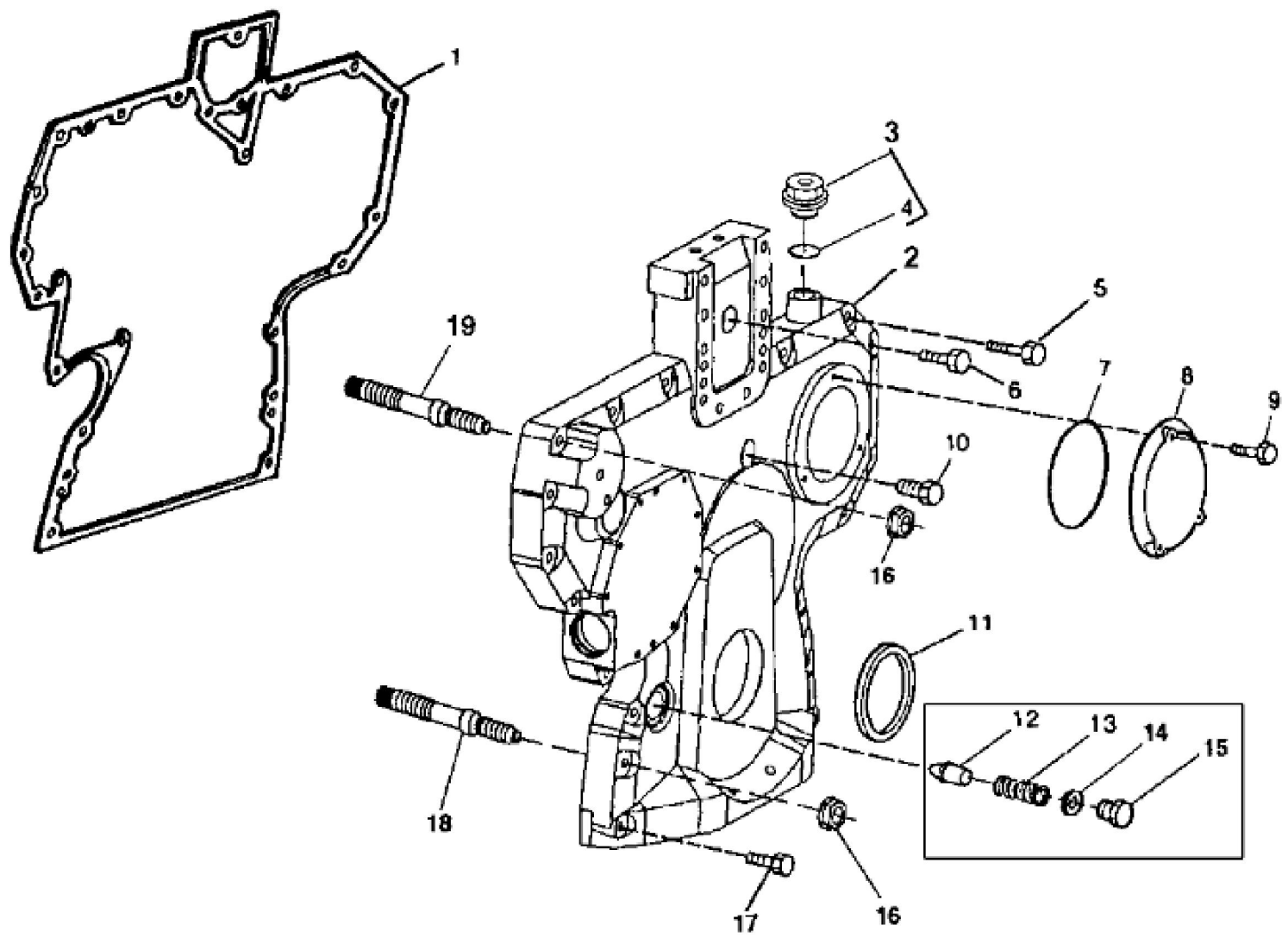
Hello dear friend!

Thank you very much for reading.

Enter the link into your browser.

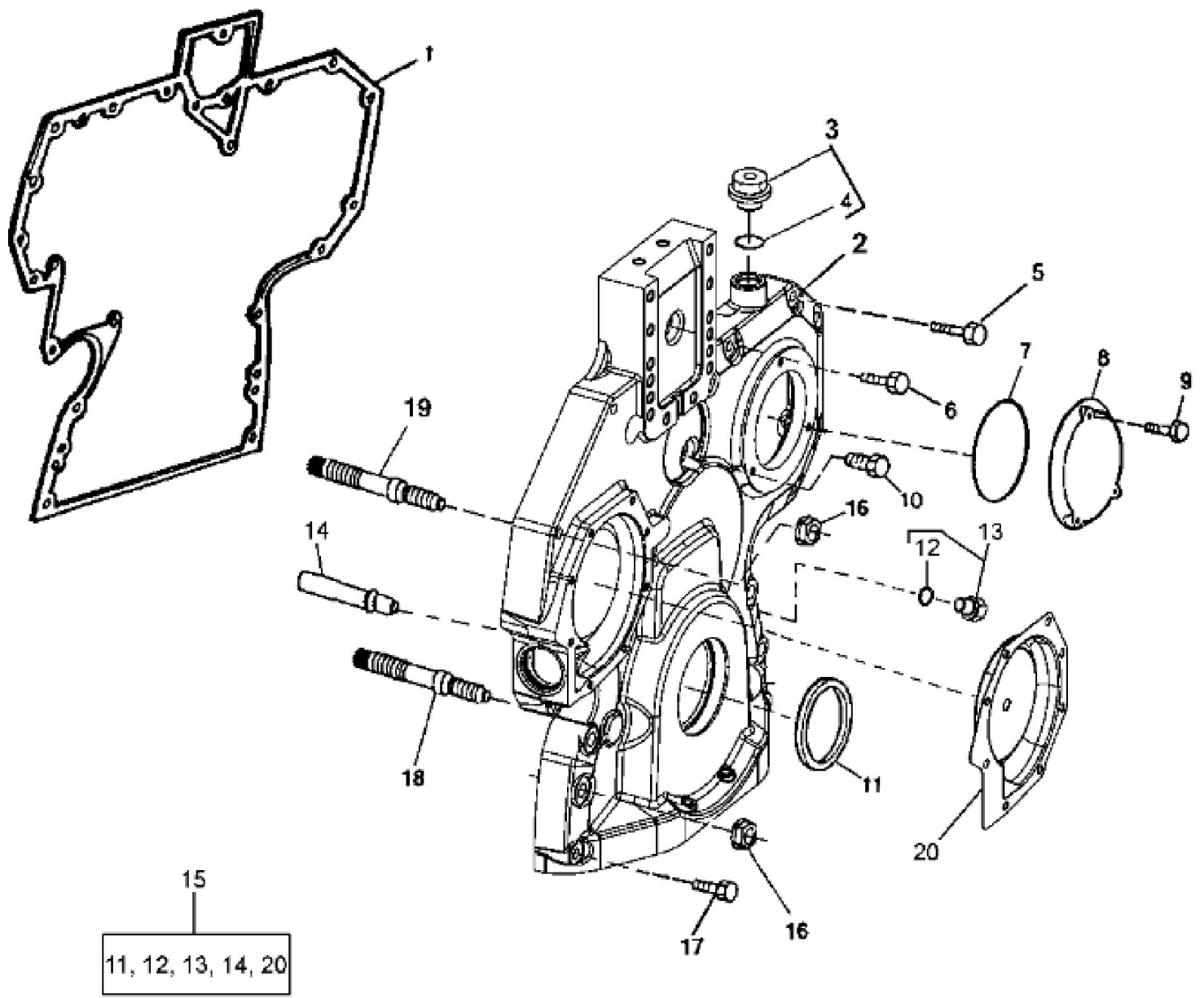
The full manual is available for immediate download.

<https://www.ebooklibonline.com>



John Deere > Construction And Forestry > BACKHOE, LOADER > 410G - BACKHOE, LOADER > 410G Backhoe Loader > 04A ENGINE 4045TT082 > 0400A ENGINE 4045TT082 4045TT082 > ST159499 - TIMING GEAR COVER AND GASKET (T04045TT082 ESN -900932)

KEY	PART NO.	PART NAME	QTY	Engine Serial No.	REMARKS
1	R136516	GASKET	1	____-900932	T04045TT082
2	...	COVER	1	____-900932	(R505462 NLA), T04045TT082 (SUB R520130, R520132 AND RE515978) (SUB FOR R134531)
3	RE517370	FITTING	1		(WITHOUT TACHOMETER SENSOR), T0404TT082 (SUB FOR RE501938)
4	51M7044	O-RING	1		17.300 X 2.200 mm
5	19M8317	SCREW	6	____-900932	M8 X 40, T04045TT082
5	19M7801	SCREW	1	____-900932	M8 X 60, T04045TT082
5	19M7867	SCREW	1	____-900932	M8 X 25, T04045TT082
5	RE67239	SCREW	1	____-900932	T04045TT082
6	19M8291	SCREW	1		M8 X 35
7	R121424	O-RING	1		
8	R121411	COVER	1		
9	19M7775	SCREW	3		M6 X 16
10	19M7801	SCREW	1		M8 X 60
11	RE516340	SEAL	1		(MARKED RE52346 OR RE505515) (SUB FOR RE59810)
12	R83169	VALVE	1	____-889024	
13	R131425	SPRING	1	____-889024	
14	A4827R	WASHER	1	____-889024	
15	R91692	FITTING PLUG	1	____-889024	OIL PRESSURE REGULATING
16	14M7296	FLANGE NUT	6		M10
17	19M7979	SCREW	2		M8 X 55
18	R123584	STUD	4		
19	R134518	STUD	2		





Suggest:

For more complete manuals. Please go to the home page.

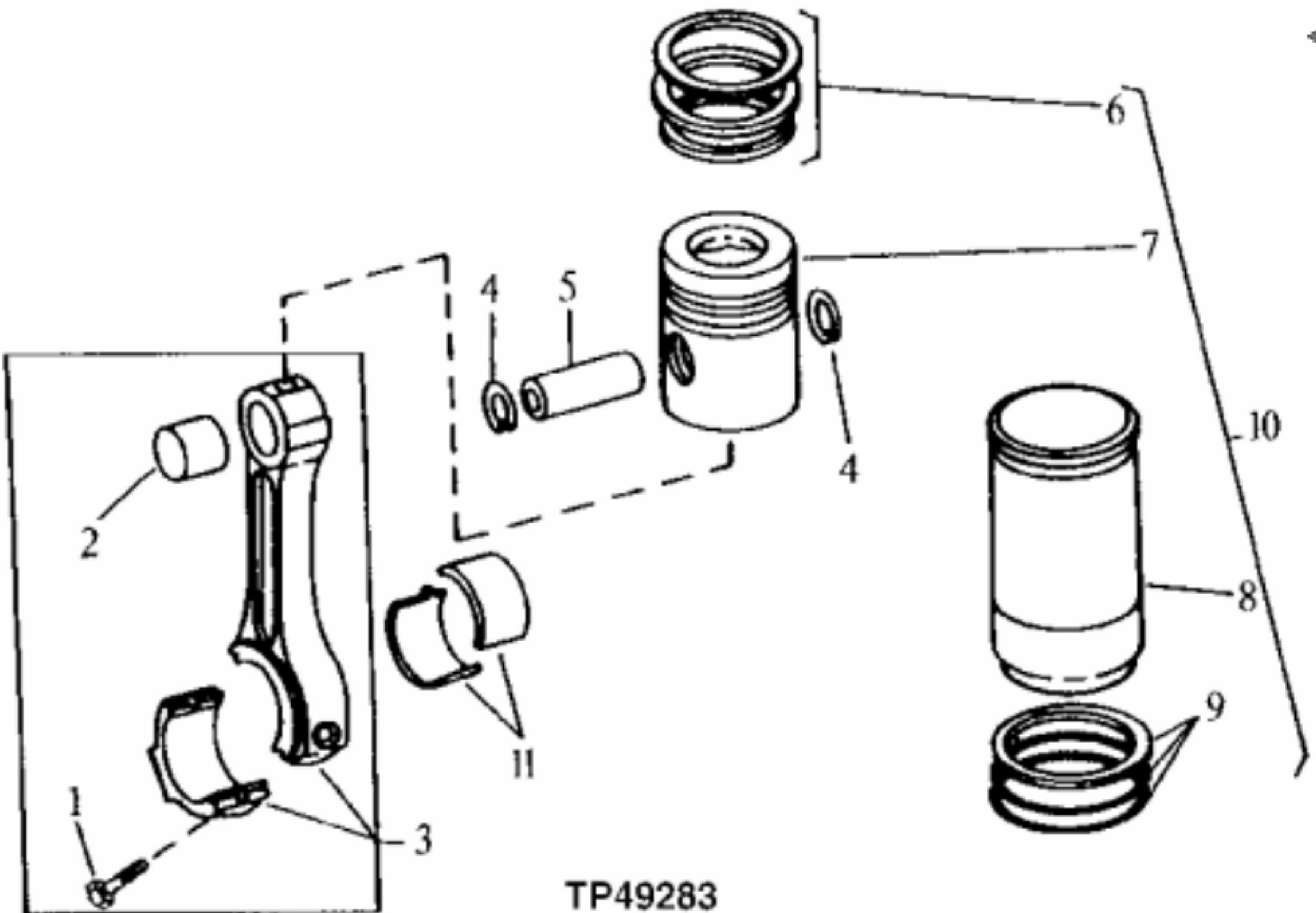
<https://www.ebooklibonline.com>

If the above button click is invalid. Please download this document first, and then click the above link to download the complete manual.

Thank you so much for reading

John Deere > Construction And Forestry > BACKHOE, LOADER > 410G - BACKHOE, LOADER > 410G Backhoe Loader > 04A ENGINE 4045TT082 > 0400A ENGINE 4045TT082 4045TT082 > ST159500 - TIMING GEAR COVER (TO4045TT082 ESN 90933- ,PE4045TT082 & PE4045TT093)

KEY	PART NO.	PART NAME	QTY	REMARKS
1	R520132	GASKET	1	(SUB FOR R136516, THIS APPLICATION)
2	R520130	COVER	1	(ALSO ORDER R520132 AND RE515978) (SUB FOR R504725)
2	RE523468	COVER	1	(INCL. WATER PUMP), (SUB FOR RE506381)
3	RE517370	FITTING	1	(WITHOUT TACHOMETER SENSOR)
4	51M7044	O-RING	1	17.300 X 2.200 mm
5	19M8317	SCREW	6	M8 X 40
5	19M7867	SCREW	1	M8 X 25
5	RE67239	SCREW	1	
6	19M8291	SCREW	1	M8 X 35
7	R121424	O-RING	1	
8	R121411	COVER	1	
9	19M7775	SCREW	3	M6 X 16
10	19M7801	SCREW	1	M8 X 60
11	RE516340	SEAL	1	(MARKED RE52346 OR RE505515) (SUB FOR RE59810)
12	51M7044	O-RING	1	17.300 X 2.200 mm
13	RE517370	FITTING	1	
14	RE505501	BLEED VALVE	1	
15	RE515978	COVER KIT	1	
16	14M7296	FLANGE NUT	6	M10
17	19M7979	SCREW	2	M8 X 55
18	R123584	STUD	4	
19	R134518	STUD	2	
20	RE508566	INSERT	1	(WATER PUMP INSERT REPAIR)



TP49283

<https://www.ebooklibonline.com>

Hello dear friend!

Thank you very much for reading.

Enter the link into your browser.

The full manual is available for immediate download.

<https://www.ebooklibonline.com>