

TP61820

John Deere > Construction And Forestry > BACKHOE, LOADER > 410E - BACKHOE, LOADER > 410E Backhoe Loader > 04 ENGINE > 0402 CAMSHAFT AND VALVE ACTUATING MEANS > ST273325 - ROCKER ARM COVER

KEY	PART NO.	PART NAME	QTY	Engine Serial No.	REMARKS	
1	H23125	PLUG	4			
2	R123574	NUT	4			
3	R123575	O-RING	4			
4	R116324	MEDALLION	1			
5	RE59801	PLUG	1	____-826080		
6A	RE70401	VALVE COVER	1	____-826080		
6B	RE502969	VALVE COVER	1	826081-____		
7	R123542	GASKET	1			

<https://www.ebooklibonline.com>

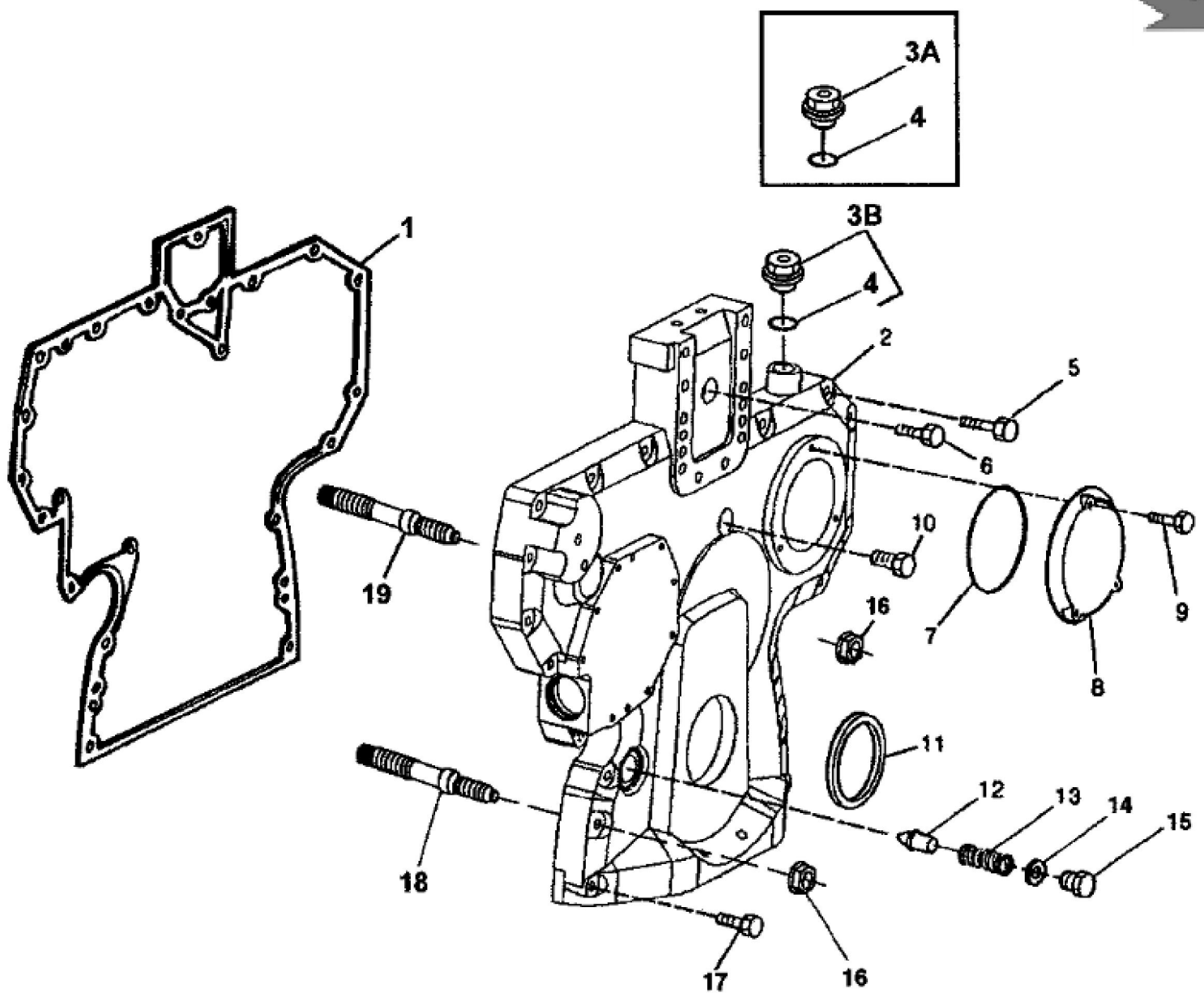
Hello dear friend!

Thank you very much for reading.

Enter the link into your browser.

The full manual is available for immediate download.

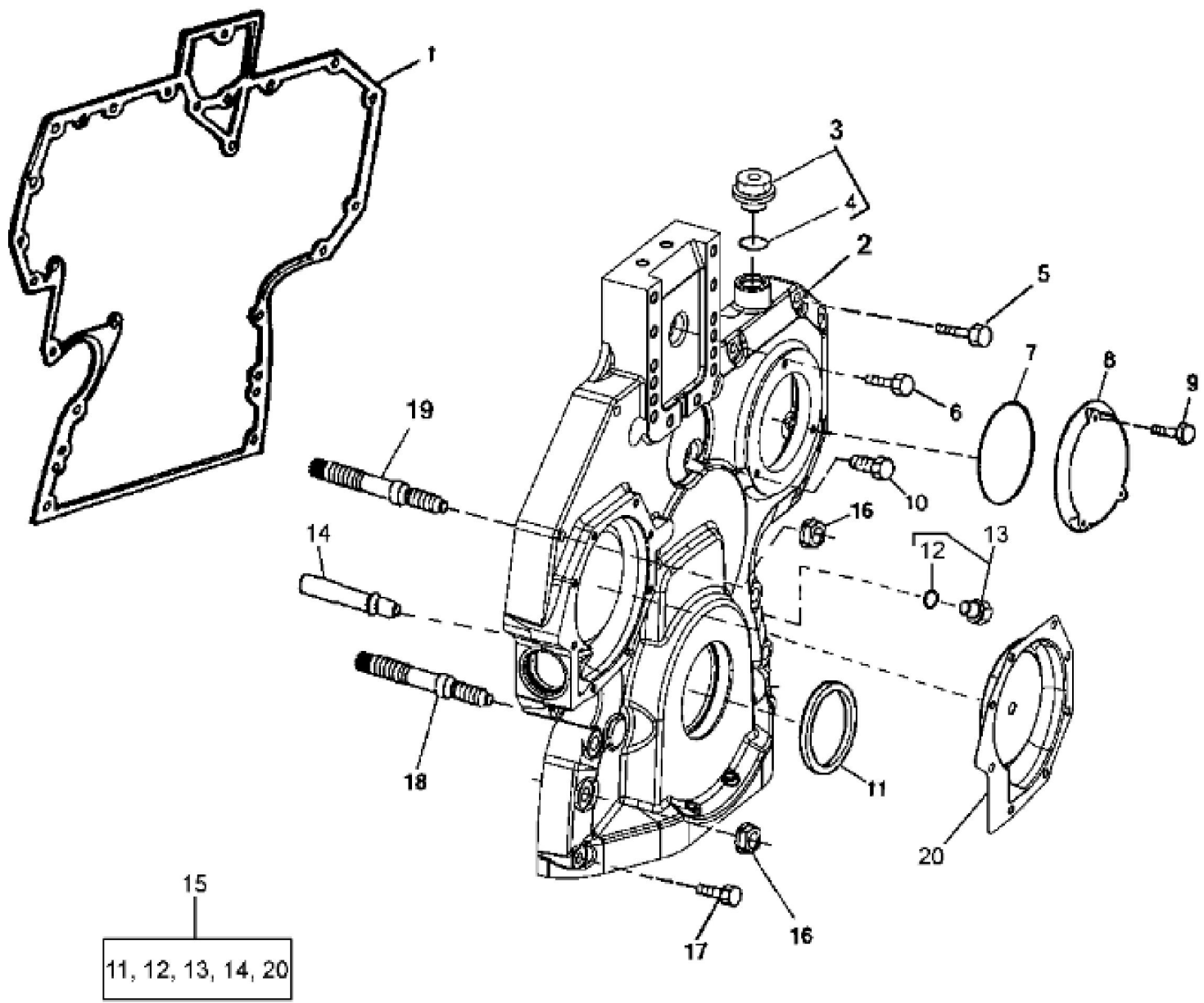
<https://www.ebooklibonline.com>



TP62378

John Deere > Construction And Forestry > BACKHOE, LOADER >410E - BACKHOE, LOADER >410E Backhoe Loader >04 ENGINE >0402 CAMSHAFT AND VALVE ACTUATING MEANS >ST273326 - TIMING GEAR COVER

KEY	PART NO.	PART NAME	QTY	REMARKS
1	R136516	GASKET	1	
2	COVER	1	(R505462 NLA) (SUB R520130, R520132 AND RE515978) (SUB FOR R134531)
3A	RE517370	FITTING	1	(WITHOUT TACHOMETER SENSOR) (SUB FOR R101085)
3B	RE517370	FITTING	1	(WITHOUT TACHOMETER SENSOR) (SUB FOR RE501938)
4	51M7044	O-RING	1	17.300 X 2.200 mm
5	19M8317	SCREW	6	M8 X 40
5	19M7801	SCREW	1	M8 X 60
5	19M7867	SCREW	1	M8 X 25
5	RE67239	SCREW	1	
6	19M8291	SCREW	1	M8 X 35
7	R121424	O-RING	1	
8	R121411	COVER	1	
9	19M7775	SCREW	3	M6 X 16
10	19M7801	SCREW	1	M8 X 60
11	RE516340	SEAL KIT	1	(SUB FOR RE59810)
12	R83169	VALVE	1	
13	R131425	COMPRESSION SPRING	1	
14	A4827R	WASHER	1	
15	R91692	FITTING PLUG	1	Oil Pressure Regulating
16	14M7296	FLANGE NUT	4	M10
17	19M7979	SCREW	2	M8 X 55
18	R123584	STUD	4	
19	R134518	STUD	2	





Suggest:

For more complete manuals. Please go to the home page.

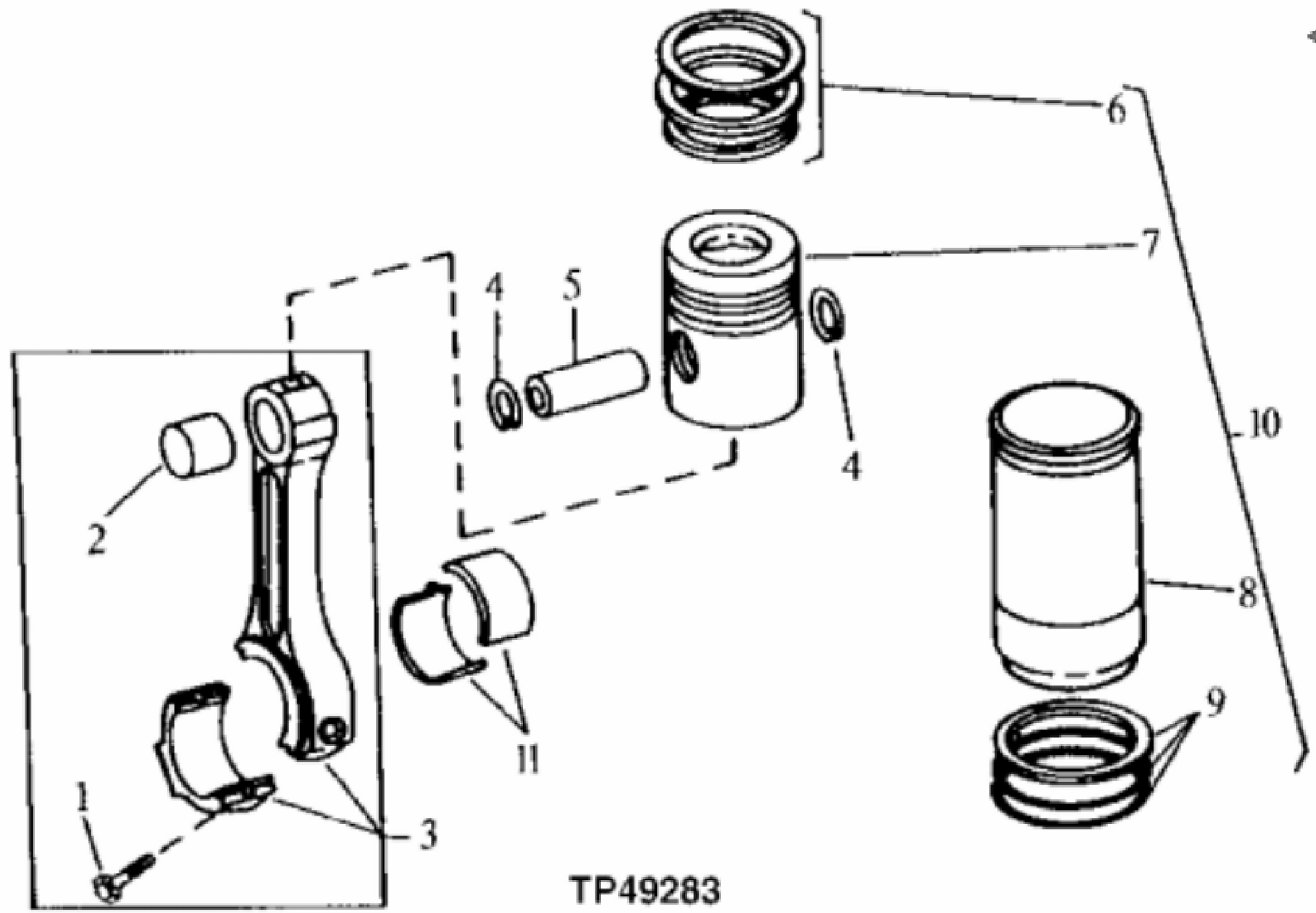
<https://www.ebooklibonline.com>

If the above button click is invalid. Please download this document first, and then click the above link to download the complete manual.

Thank you so much for reading

John Deere > Construction And Forestry > BACKHOE, LOADER >410E - BACKHOE, LOADER >410E Backhoe Loader >04 ENGINE >0402 CAMSHAFT AND VALVE ACTUATING MEANS >ST273327 -
 REPLACEMENT TIMING GEAR COVER

KEY	PART NO.	PART NAME	QTY	REMARKS
1	R520132	GASKET	1	(SUB FOR R136516 THIS APPLICATION)
2	R520130	COVER	1	(SUB FOR R504725)
3	RE517370	FITTING	1	(WITHOUT TACHOMETER SENSOR) (SUB FOR RE501938)
4	51M7044	O-RING	1	17.300 X 2.200 mm
5	19M8317	SCREW	6	M8 X 40
5	19M7867	SCREW	1	M8 X 25
5	RE67239	SCREW	1	
6	19M8291	SCREW	1	M8 X 35
7	R121424	O-RING	1	
8	R121411	COVER	1	
9	19M7775	SCREW	3	M6 X 16
10	19M7801	SCREW	1	M8 X 60
11	RE59810	SEAL	1	
12	51M7044	O-RING	1	17.300 X 2.200 mm
13	RE501938	PLUG	1	
14	RE505501	BLEED VALVE	1	
15	RE515978	COVER KIT	1	
16	14M7296	FLANGE NUT	6	M10
17	19M7979	SCREW	2	M8 X 55
18	R123584	STUD	4	
19	R134518	STUD	2	
20	RE508566	INSERT	1	Water Pump Insert Repair



TP49283

<https://www.ebooklibonline.com>

Hello dear friend!

Thank you very much for reading.

Enter the link into your browser.

The full manual is available for immediate download.

<https://www.ebooklibonline.com>