

TP3697

KEY	PART NO.	PART NAME	QTY	410C	510C	610C	REMARKS
1	AR103811	SCREW WITH WASHER	8	X	X	X	(SUB FOR AR100124)
2	AR73604	COVER	1	X	X	X	
3	AR100596	GASKET	1	X	X	X	

**<https://www.ebooklibonline.com>**

Hello dear friend!

Thank you very much for reading.

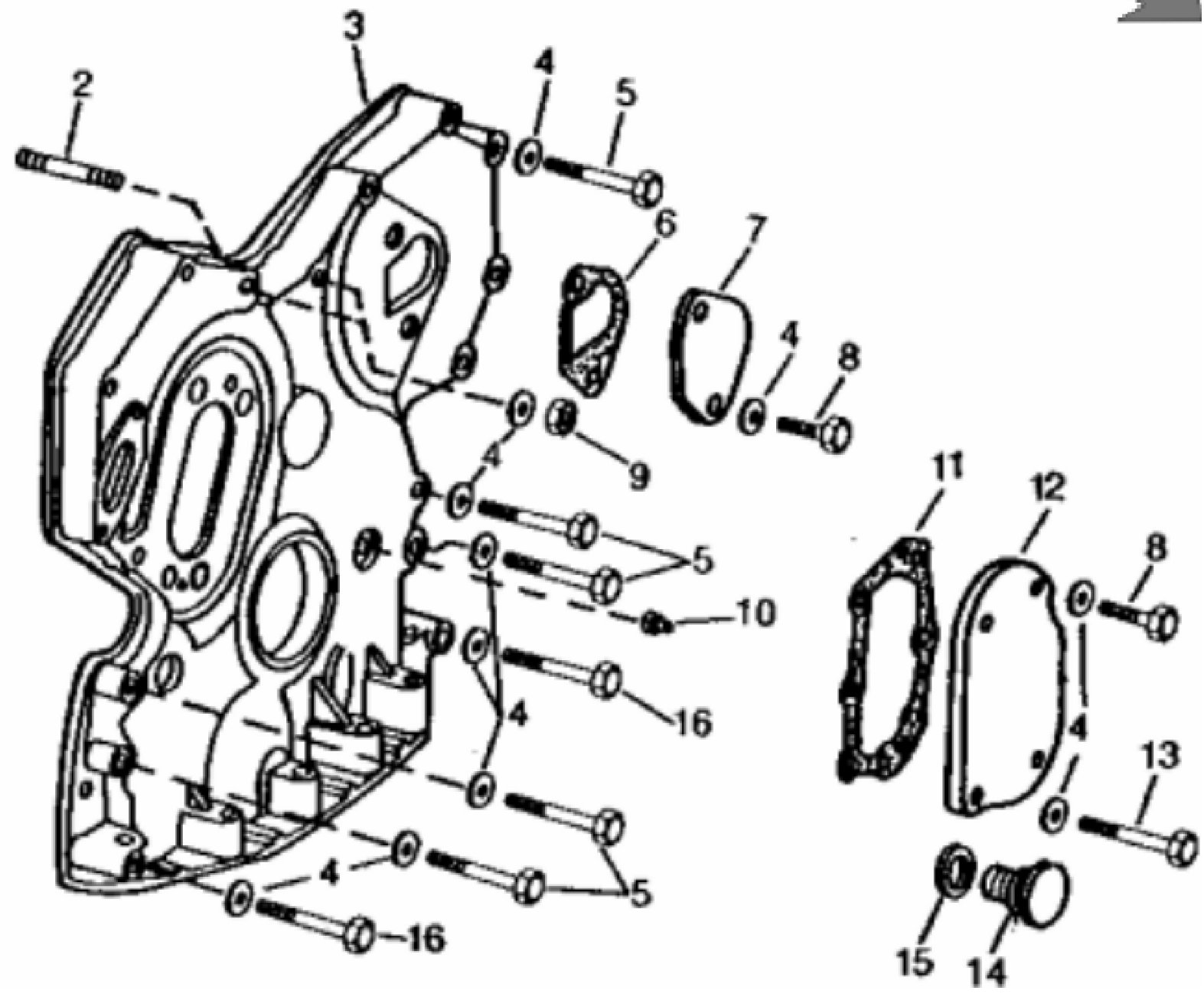
Enter the link into your browser.

The full manual is available for immediate download.

**<https://www.ebooklibonline.com>**



TP1523



KEY	PART NO.	PART NAME	QTY	410C	510C	610C	REMARKS
1	T20155	GASKET	1	X	X	X	
2	R122226	STUD	2	X	X	X	(SUB FOR R122226)
3	AR58196	COVER	1	X	X	X	(MARKED R52880) (ALSO ORDER T20272, T20273, 15H275, 19H1726, (3) 19H2284, (4) 24H1304)
4	24H1304	WASHER	AR	X	X	X	13/32" X 23/32" X 0.120"
5	19H3065	CAP SCREW	10	X	X	X	3/8" X 2"
6	R78366	GASKET	1	X	X	X	
7	R126041	COVER	1	X	X	X	(SUB FOR T20362)
8	19H2284	CAP SCREW	3	X	X	X	3/8" X 7/8"
8	R124277	CAP SCREW	2	X	X	X	(USE WITH R126041) (SUB FOR R122618, THIS APPLICATION)
9	12H304	LOCK WASHER	2	X	X	X	3/8"
9	14H812	NUT	2	X	X	X	3/8"
10	15H275	PIPE PLUG	1	X	X	X	1/4"
11	T20273	GASKET	1	X	X	X	
12	T20272	COVER	1	X	X	X	
13	19H1726	CAP SCREW	1	X	X	X	3/8" X 2-1/4"
14	T27657	FITTING PLUG	1	X	X	X	
15	A4827R	WASHER	1	X	X	X	
16	19H3031	CAP SCREW	2	X	X	X	3/8" X 2-1/2"



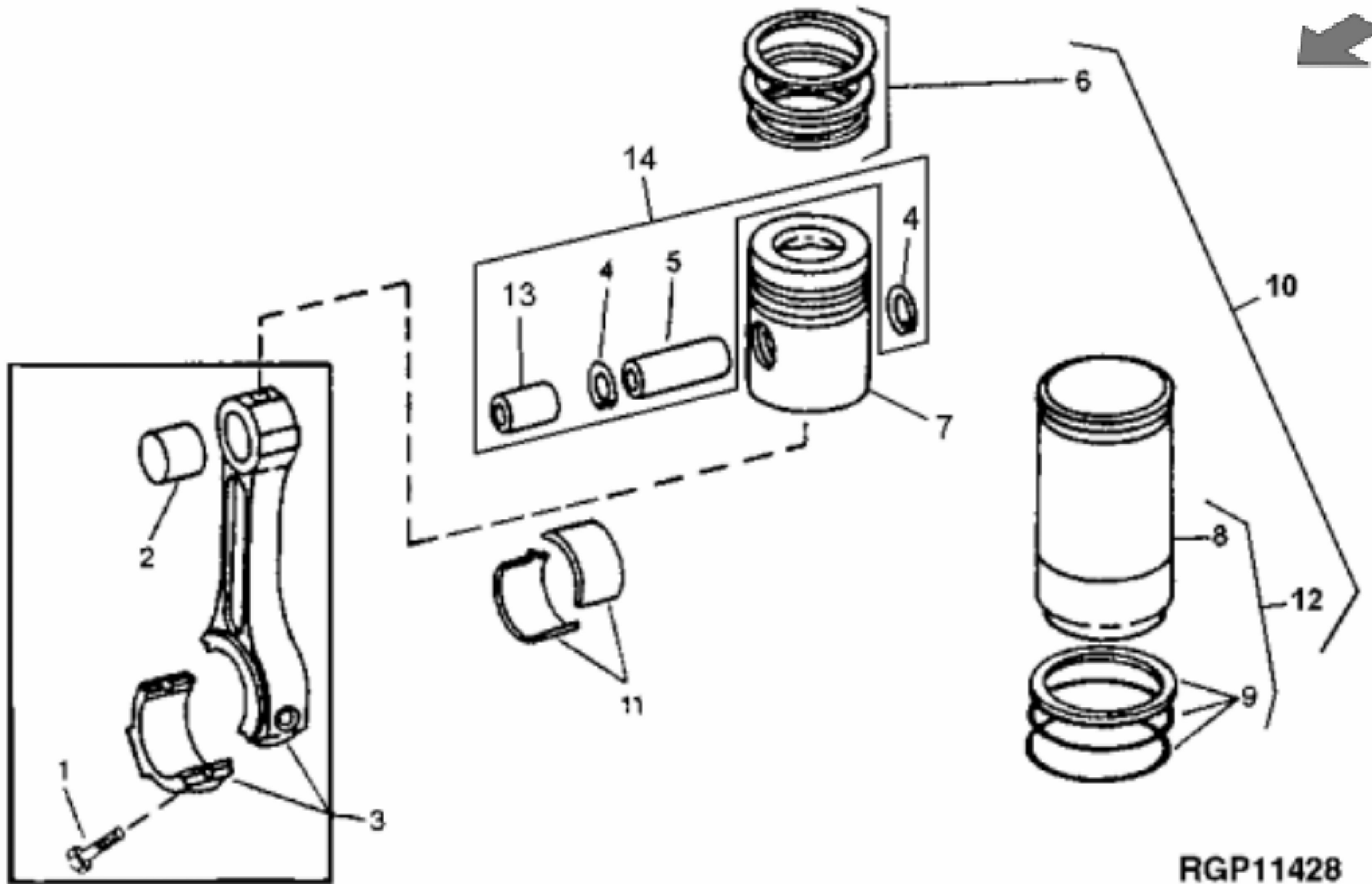
**Suggest:**

**For more complete manuals. Please go to the home page.**

**<https://www.ebooklibonline.com>**

**If the above button click is invalid. Please download this document first, and then click the above link to download the complete manual.**

**Thank you so much for reading**



RGP11428

John Deere > Construction And Forestry > BACKHOE, LOADER > 610C - BACKHOE, LOADER > 410C, 510C and 610C Backhoe Loaders > 4 ENGINE 4 > CONNECTING RODS AND PISTONS 0403 > 0403-2 - CONNECTING ROD, PISTON, RINGS AND LINER [02B19]

KEY	PART NO.	PART NAME	QTY	Serial No.	410C	510C	610C	REMARKS
1	R74195	SCREW	8		X	X	X	
2	.....	BUSHING	4		X	X	X	( R56186 NO LONGER AVAILABLE)
3	RE53716	CONNECTING ROD	4		X	X	X	(MARKED R116851) (SUB FOR AR66400) (MARKED R56187)
4	R54114	SNAP RING	8		X	X	X	
5	.....	PIN	4		X	X	X	
6	RE507852	PISTON RING KIT	4		X	X	X	(SUB FOR (4) RE15674, RE48818, RE66820)
7	.....	PISTON	4	____-177225		X	X	(CHECK PISTON RING HEIGHT WHEN REPLACING INDIVIDUAL PISTONS. MAY HAVE BEEN UPDATED BY PREVIOUS OVERHAUL) (FURNISH RE19833)
7	.....	PISTON	4	177226-____		X	X	(FURNISH RE53073)
7	AR68188	PISTON	4	____-178961	X			(CHECK PISTON RING HEIGHT WHEN REPLACING INDIVIDUAL PISTONS. MAY HAVE BEEN UPDATED BY PREVIOUS OVERHAUL)
7	.....	PISTON	4	178962-____	X			(FURNISH RE28966)
8	R121867	CYLINDER LINER	4		X	X	X	(SUB RE500024)
9	AR65507	O-RING KIT	4		X	X	X	
10	RE19833	KIT	4	____-178961	X			
10	RE28966	KIT	4	178962-____	X			
10	RE19832	KIT	4	____-177225		X	X	
10	RE53073	PISTON-LINER KIT	4	177226-____		X	X	(SUB FOR RE28977)
11	AR97517	BEARING	4		X	X	X	STANDARD (SET OF (2) R72745)
11	.....	BEARING	4		X	X	X	( AR97652 NO LONGER AVAILABLE) 0.05 MM (.002") UNDERSIZE (SET OF (2) R73595)
11	AR97653	BEARING	4		X	X	X	0.25 MM (.010") UNDERSIZE (SET OF (2) R73596)
11	AR97654	BEARING	4		X	X	X	0.51 MM (.020") UNDERSIZE (SET OF (2) R73597)
11	AR97655	BEARING	4		X	X	X	0.76 MM (.030") UNDERSIZE (SET OF (2) R73598)
12	RE500024	CYLINDER LINER	4		X	X	X	

**<https://www.ebooklibonline.com>**

Hello dear friend!

Thank you very much for reading.

Enter the link into your browser.

The full manual is available for immediate download.

**<https://www.ebooklibonline.com>**