

MP16281

KEY	PART NO.	PART NAME	QTY	REMARKS
1	AM875018	CYLINDER BLOCK	1	
2	19M7774	SCREW	3	M6 X 12 (HS, HEAD MARKED 10.9)
3	M802255	PIN	2	
4	CH10314	PLUG	2	
5	CH15478	PLUG	1	
6	M806843	PLUG	1	(SUB FOR CH10640)
7	M800002	PLUG	2	
8	CH17101	PLUG	4	
9	30M7023	PLUG	2	
10	M800006	PIPE	2	
11	M800012	BOLT	8	
12	.....	CAP	1	(ORDER AM875018)
13	.....	CAP	3	(ORDER AM875018)
14	M808914	BUSHING	1	(SUB FOR M800013)
15	AM875059	BEARING KIT	4	MAIN (STD)
16	M802254	PIN	2	(SUB FOR M87808)
17	CH10571	PACKING	1	
18	AM875060	BEARING KIT	2	THRUST
19	AM100800	DRAIN VALVE	1	
20	40M7080	SNAP RING	1	
21	M89139	PLATE	1	
22	M89140	SHAFT	1	
23	M89143	GUIDE	1	
24	AM875026	BEARING KIT	4	MAIN (0.25 MM (.010") OS)
25	CH10568	PACKING	2	
26	19M7300	CAP SCREW	1	M6 X 10
27	M800420	DIPSTICK	1	
28	M801902	GUIDE	1	
29	19M7774	SCREW	2	M6 X 12 (HS, HEAD MARKED 10.9)
30	M87810	FLANGE	1	
31	CH15500	SWITCH	1	OIL PRESSURE
..	MG858066	SHORT ENGINE	1	3TN66E-SP (COMPLETE) (SUB FOR AM875902)
..	AM875017	SHORT BLOCK ASSEMBLY	1	

**<https://www.ebooklibonline.com>**

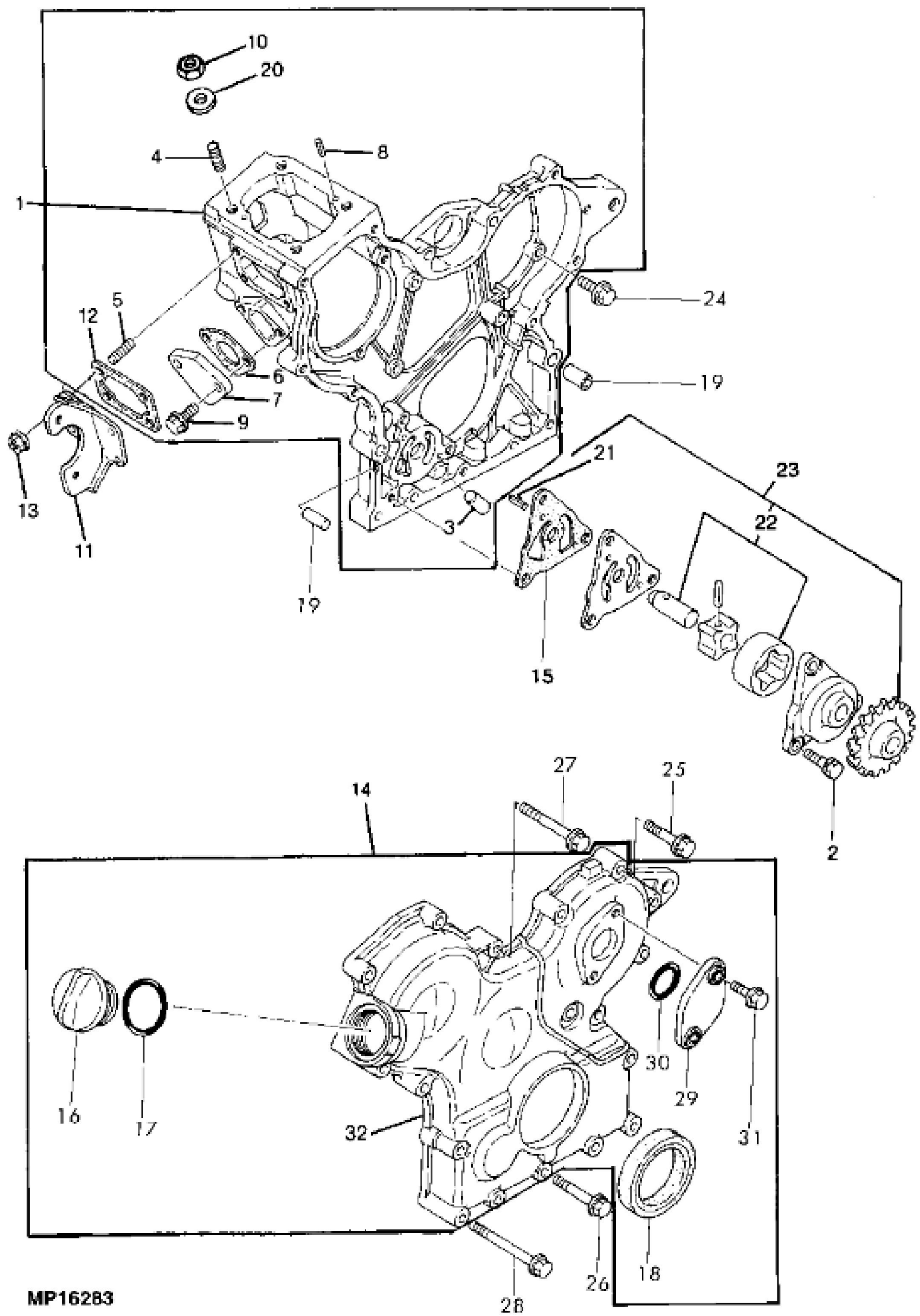
Hello dear friend!

Thank you very much for reading.

Enter the link into your browser.

The full manual is available for immediate download.

**<https://www.ebooklibonline.com>**



MP16283

KEY	PART NO.	PART NAME	QTY	REMARKS
1	MIA10329	GEAR CASE	1	(SUB FOR AM875575 AND AM875025)
2	19M7077	CAP SCREW	3	M6 X 20
2	12M7006	LOCK WASHER	3	6 mm
3	M800007	PLUG	1	
4	CH15722	STUD	4	
5	M89124	STUD	4	
6	M805703	GASKET	1	(SUB FOR CH15378)
7	CH15377	COVER	1	
8	CH12293	PIN	2	
9	CH19140	BOLT	2	
10	14M7273	NUT	4	M8
11	M801897	BRACKET	1	SOLENOID
12	M805695	GASKET	1	(SUB FOR M89123)
13	14M7303	FLANGE NUT	4	M6
14	AM882181	COVER	1	(INCLUDES (2) M800006 DOWEL PINS) (SUB FOR AM875589 AND AM875024)
15	M89142	GASKET	1	
16	M805710	CAP	1	OIL FILLER
17	M805711	PACKING	1	
18	M811563	SEAL	1	(SUB FOR M87821)
19	M800006	DOWEL PIN	2	
20	12M7065	LOCK WASHER	4	8 mm
21	CH12294	PIN	2	
22	AM875039	ROTOR	1	
23	AM875006	OIL PUMP	1	
24	19M7775	SCREW	5	M6 X 16
25	CH19141	BOLT	5	
26	M800008	BOLT	3	
27	M800009	BOLT	4	
28	M800065	BOLT	6	
29	M87874	COVER	1	
30	CH15595	O-RING	1	
31	M88089	BOLT	2	
32	AM882181	COVER	1	(SUB FOR AM878423)
..	M64850	SEALANT	1	3 OZ. TUBE (GEAR CASE HOUSING GASKET)



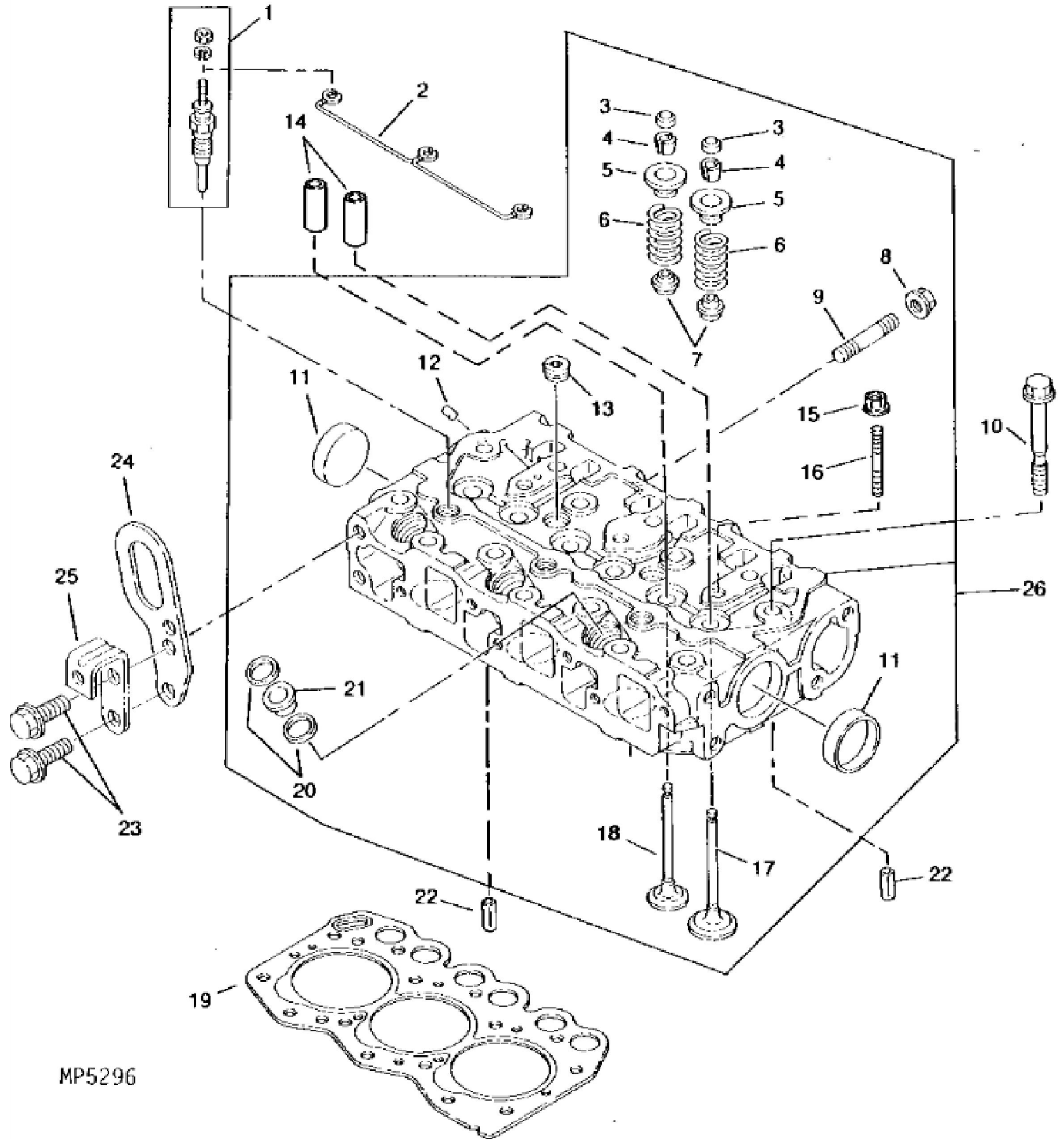
**Suggest:**

**For more complete manuals. Please go to the home page.**

**<https://www.ebooklibonline.com>**

**If the above button click is invalid. Please download this document first, and then click the above link to download the complete manual.**

**Thank you so much for reading**



MP5296

**<https://www.ebooklibonline.com>**

Hello dear friend!

Thank you very much for reading.

Enter the link into your browser.

The full manual is available for immediate download.

**<https://www.ebooklibonline.com>**