

RE538976PCDA01

KEY	PART NO.	PART NAME	QTY	REMARKS
1	R517240	SCREW	1	
2	R516770	WASHER	1	
3	19M7923	CAP SCREW	4	M6 X 12
4	R522976	WHEEL	1	
5	R523409	SPUR GEAR	1	
6	RE518215	BALL BEARING	1	
7	ARBOR	1	(9901) (ORDER RE538988)
7	RE538988	CAM KIT	1	
7	SE502123	CAMSHAFT REMAN	1	(REMAN FOR RE538988)
8	R504808	BUSHING	5	
9	T18891	PLUG	1	
10	R505135	ORIFICE	5	
11	R515003	SCREW	12	
12	R116466	PLUG	7	
13	15H685	PIPE PLUG	1	1/4"
14	R48685	DOWEL PIN	2	
15	R504965	PLUG	1	
16	34M7247	SPRING PIN	2	11 X 16 mm
17	R528188	PIN	5	
18	RE71255	PIPE PLUG	27	
19	R502725	PLUG	1	
20	L157372	SCREW	2	
21	R515112	SHIM	1	(Friction Washer)
..	COMPLETE BLOCK ASSEMBLY	1	(9901)

<https://www.ebooklibonline.com>

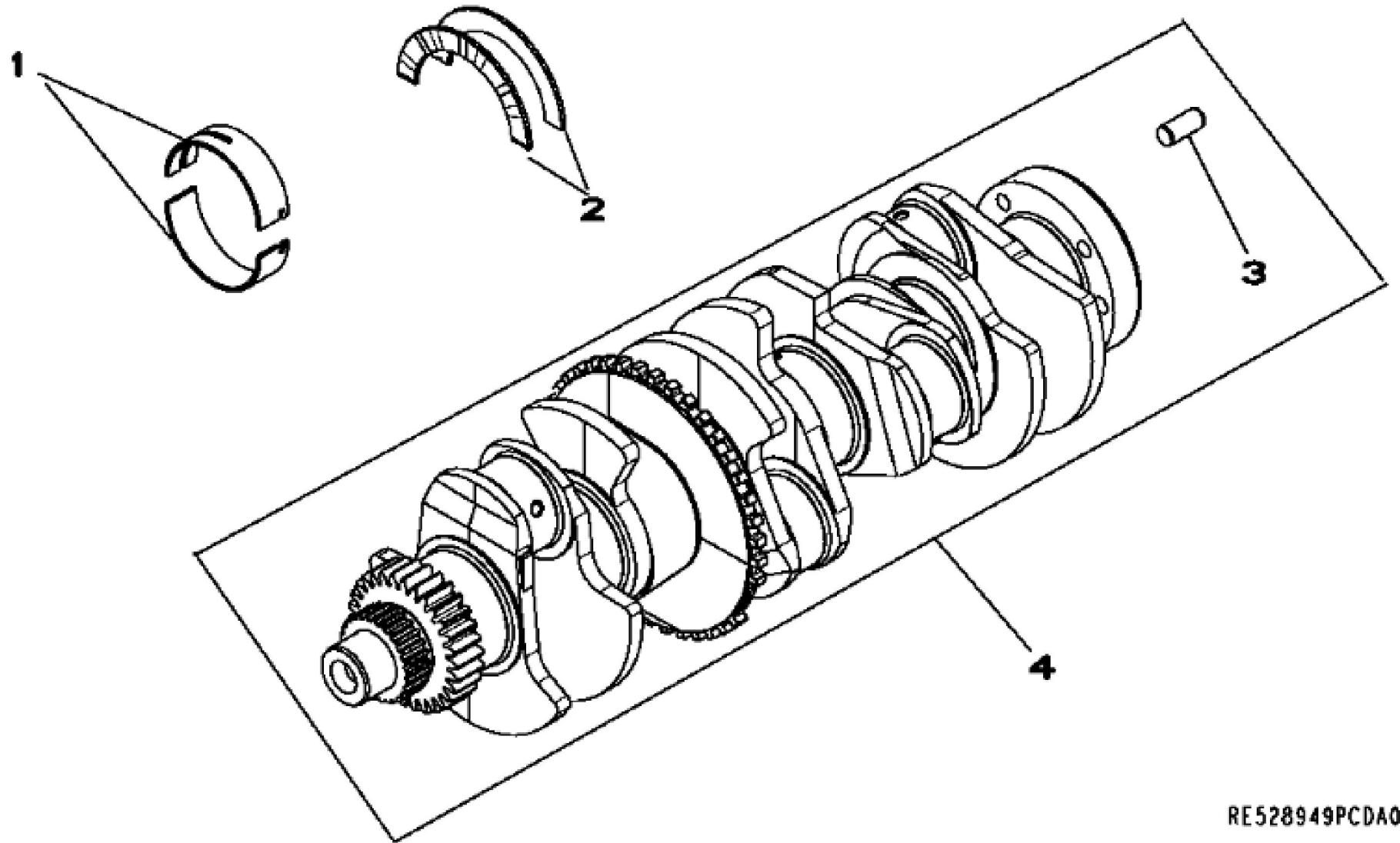
Hello dear friend!

Thank you very much for reading.

Enter the link into your browser.

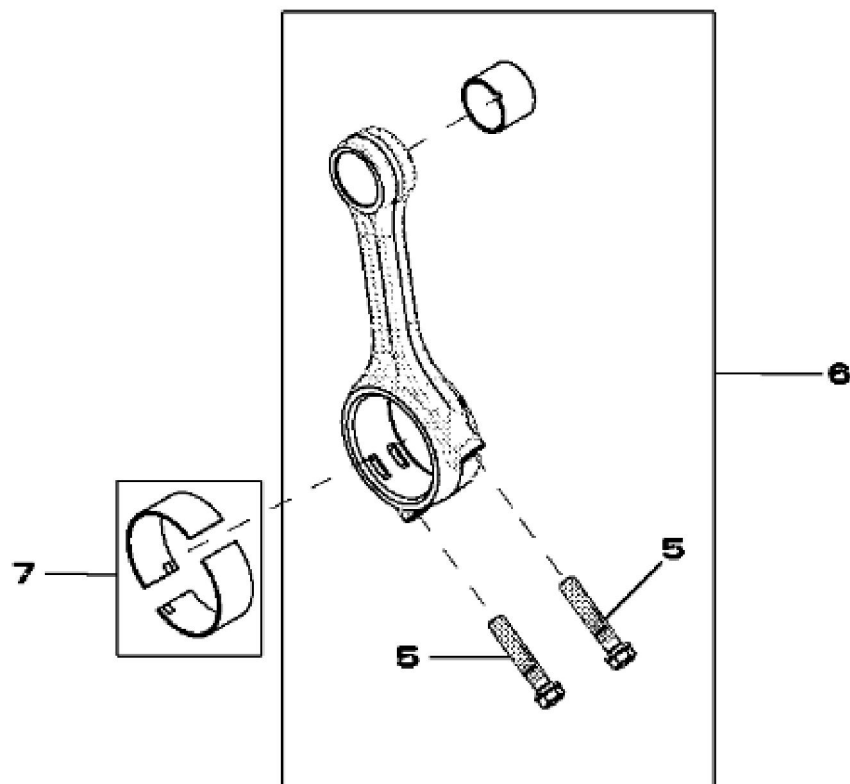
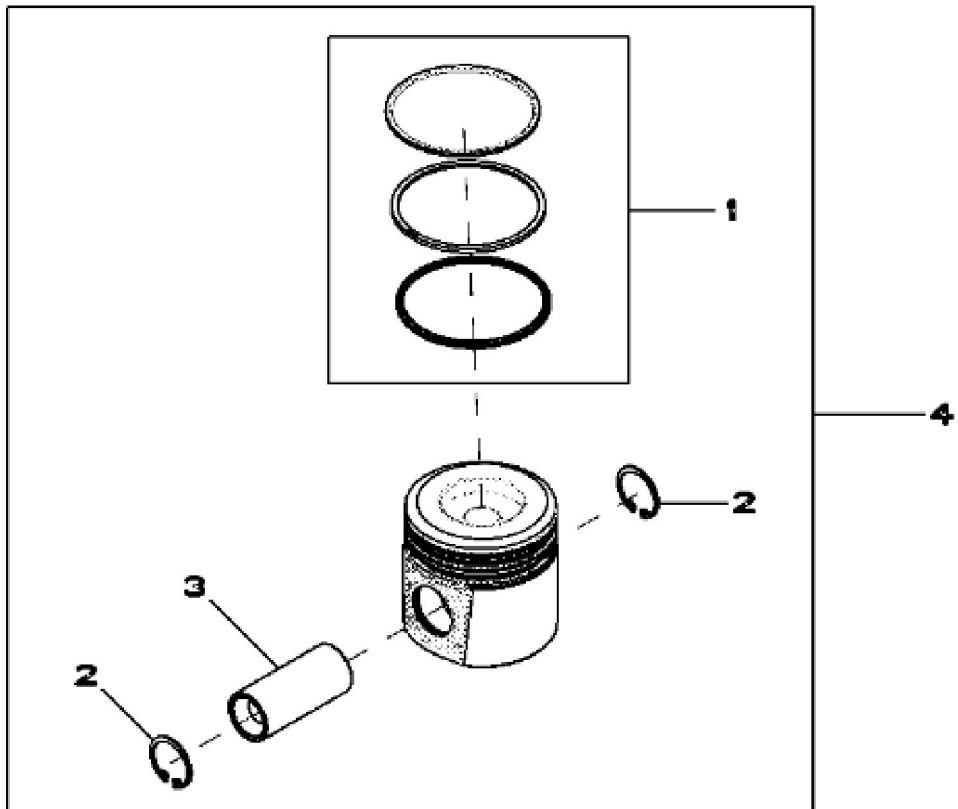
The full manual is available for immediate download.

<https://www.ebooklibonline.com>



RE528949PCDA01

KEY	PART NO.	PART NAME	QTY	REMARKS	
1	RE520626	BEARING KIT	5	STD	
2	RE520627	BEARING KIT	2		
3	R48685	DOWEL PIN	1		
4	RE527591	CRANKSHAFT	1		





Suggest:

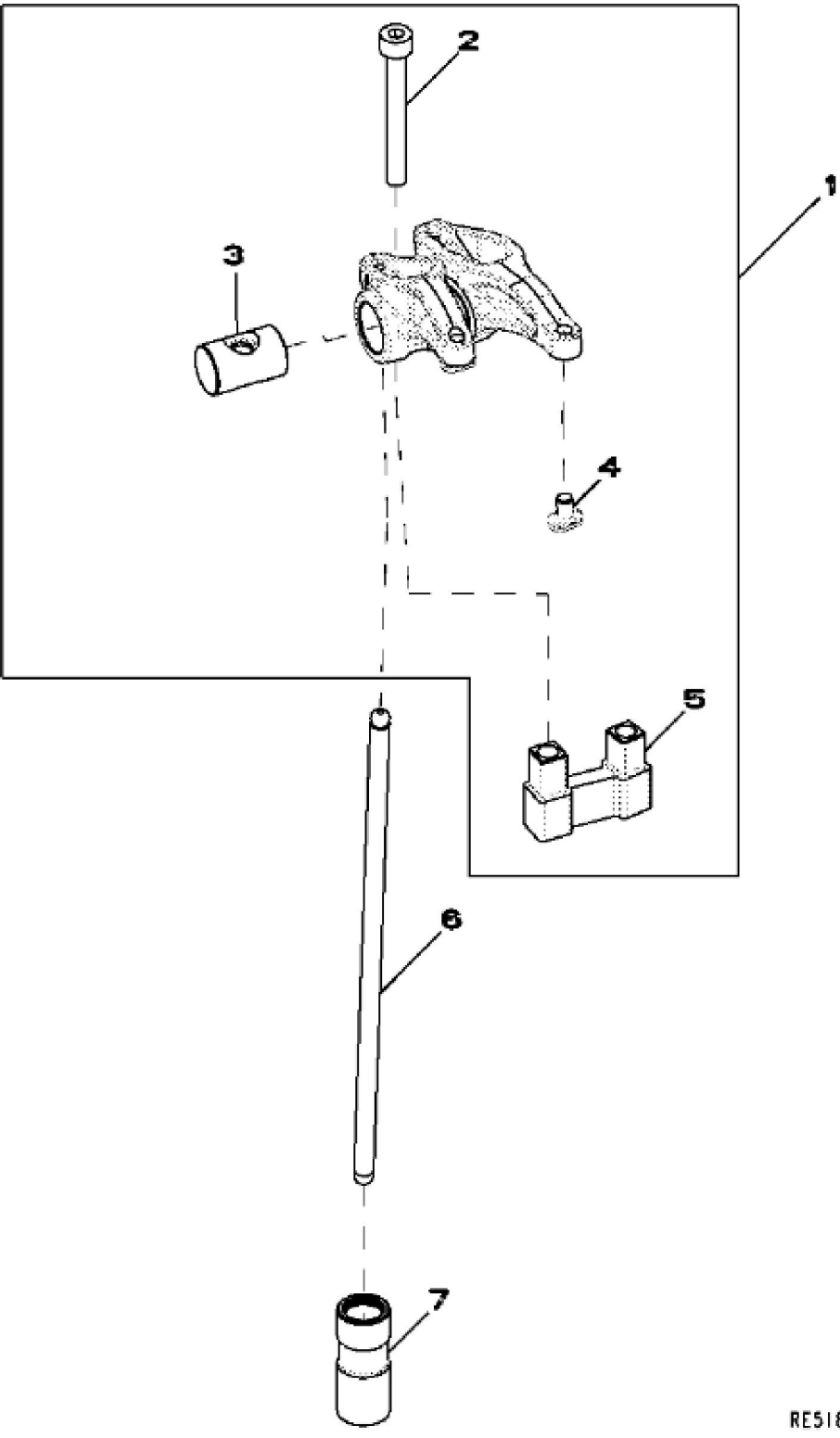
For more complete manuals. Please go to the home page.

<https://www.ebooklibonline.com>

If the above button click is invalid. Please download this document first, and then click the above link to download the complete manual.

Thank you so much for reading

KEY	PART NO.	PART NAME	QTY	REMARKS	
1	RE533955	PISTON RING KIT	5	STD	
2	40M1855	SNAP RING	10		
3	R503480	PISTON PIN	5	OD 30MM	
4	RE536353	PISTON REPLACEMENT KIT	5	(MARKED RE527622)STD	
5	R502503	SCREW	10		
6	RE504544	CONNECTING ROD	5		
6	SE501898	CONNECTING ROD REMAN	1	(REMAN FOR RE504544)	
7	RE520937	BEARING KIT	5	STD	



RE518812PCDH02

<https://www.ebooklibonline.com>

Hello dear friend!

Thank you very much for reading.

Enter the link into your browser.

The full manual is available for immediate download.

<https://www.ebooklibonline.com>