

John Deere > Turf And Utility > LOADER, SKID-STEER > 332G - LOADER, SKID-STEER > 332G Skid Steer Loader (PIN: 1T0332G__EXXXXXX-) > 04 ENGINE > 0432 FINISH ASSEMBLY, ENGINE > ST893299 - CYLINDER BLOCK

KEY	PART NO.	PART NAME	QTY	REMARKS
4	M809594	PLUG	1	
5	15H562	PIPE PLUG	1	1"
6	MIU802279	BOLT	10	
9	AT211656	BUSHING	1	
10	30M7023	PLUG	5	
11	CH18079	SPRING PIN	2	
12	M806938	PLUG	1	
13	M806938	PLUG	1	
14	M806938	PLUG	1	
18	MIA880556	BEARING	2	
18	MIA880558	BEARING	2	Oversized 0.25
21	MIU802270	BOLT	18	
22	MIU802271	ENGINE CYLINDER HEAD GASKET	1	
23	M806437	WASHER	1	
24	M803787	BOLT	1	
25	MIA880548	BEARING	5	
25	MIA880547	BEARING	5	Undersized 0.25

<https://www.ebooklibonline.com>

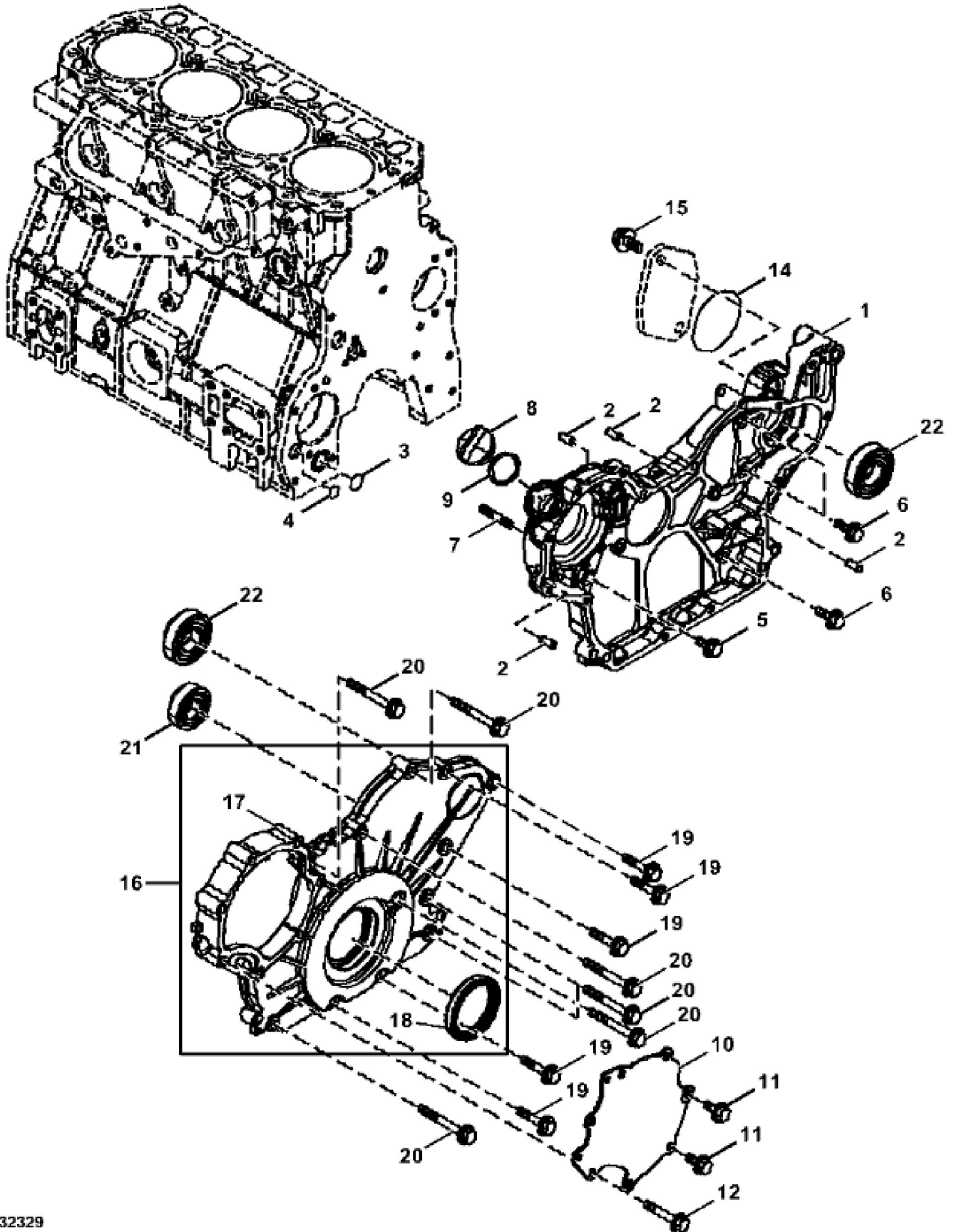
Hello dear friend!

Thank you very much for reading.

Enter the link into your browser.

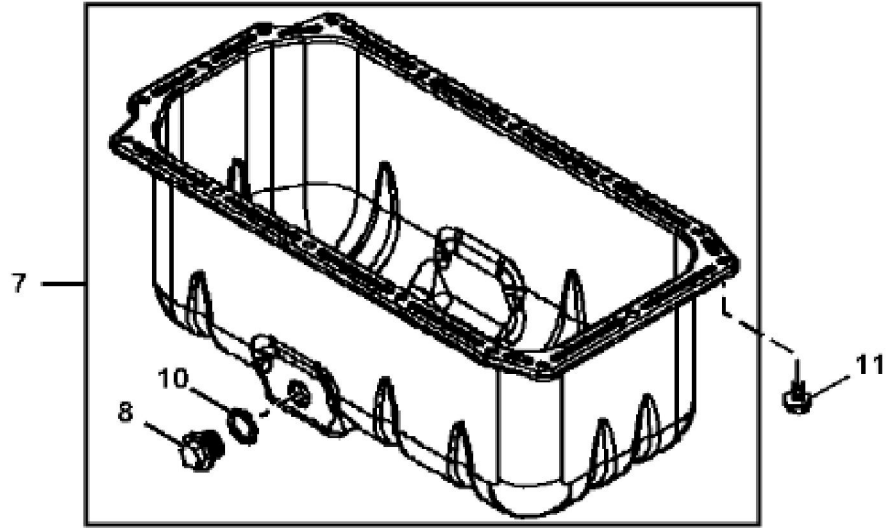
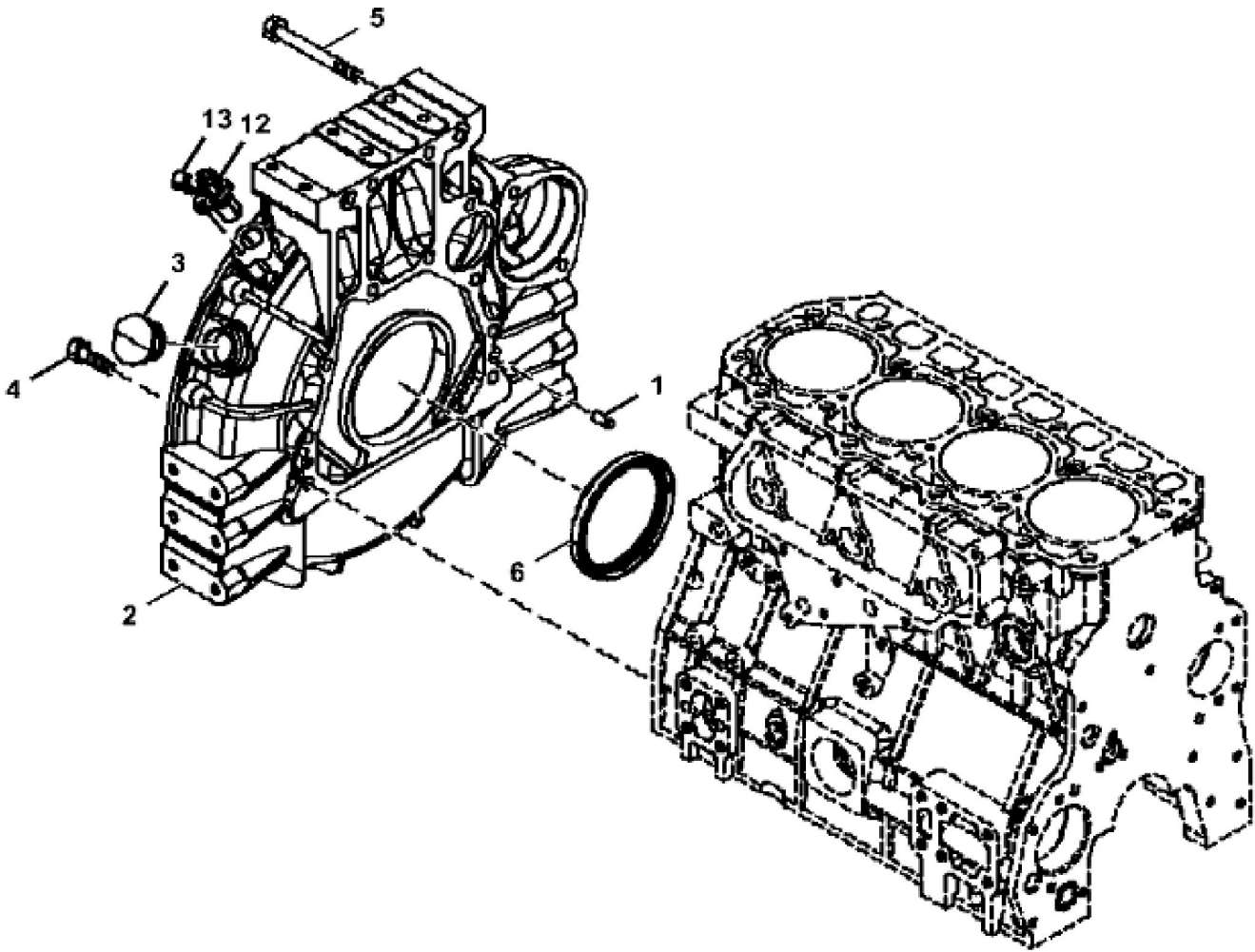
The full manual is available for immediate download.

<https://www.ebooklibonline.com>



John Deere > Turf And Utility > LOADER, SKID-STEER > 332G - LOADER, SKID-STEER > 332G Skid Steer Loader (PIN: 1T0332G__EXXXXXX-) > 04 ENGINE > 0432 FINISH ASSEMBLY, ENGINE > ST892870 - GEAR HOUSING

KEY	PART NO.	PART NAME	QTY	REMARKS
1	MIU804343	GEAR CASE	1	
2	M802255	PIN	4	
3	AT211670	O-RING	1	
4	AT211671	O-RING	1	
5	19M7865	SCREW	1	M8 X 16
6	19M7866	SCREW	3	M8 X 20
7	LVU800577	STUD	2	
8	M805710	CAP	1	
9	M805711	PACKING	1	
10	MIU802278	COVER	1	
11	19M7865	SCREW	2	M8 X 16
12	CH19086	BOLT	5	
14	U46456	O-RING	1	
15	T111563	BOLT	2	
16	COVER	1	
17	MIU802274	COVER	1	Gear Case Cover
18	MIU801096	SEAL	1	Oil Seal
19	M89128	BOLT	5	
20	19M7803	SCREW	7	M8 X 70
21	MIU803787	BALL BEARING	1	
22	AT211667	BALL BEARING	2	





Suggest:

For more complete manuals. Please go to the home page.

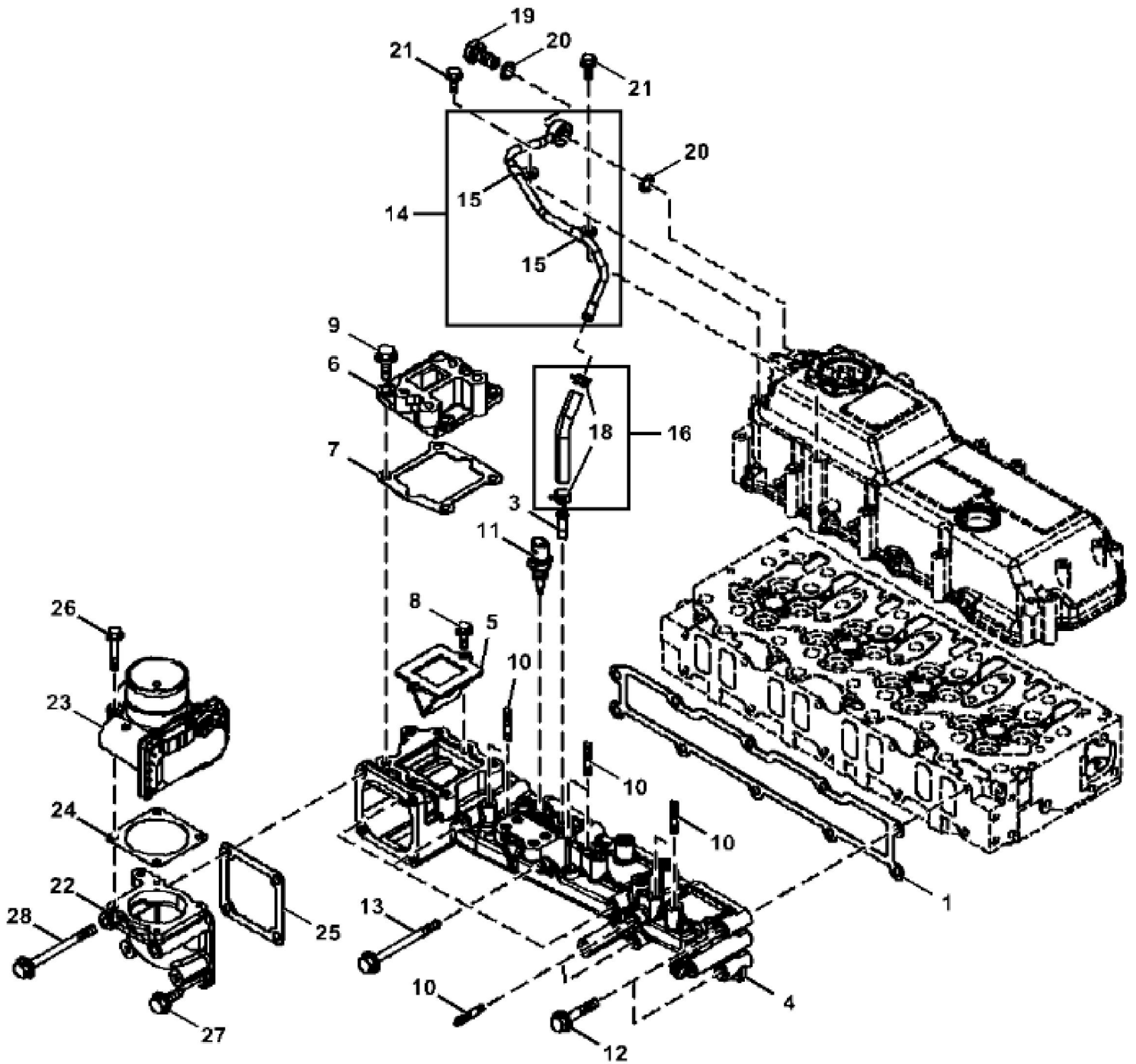
<https://www.ebooklibonline.com>

If the above button click is invalid. Please download this document first, and then click the above link to download the complete manual.

Thank you so much for reading

John Deere > Turf And Utility > LOADER, SKID-STEER > 332G - LOADER, SKID-STEER > 332G Skid Steer Loader (PIN: 1T0332G__EXXXXXX-) > 04 ENGINE > 0432 FINISH ASSEMBLY, ENGINE > ST893050 - FLYWHEEL HOUSING AND OIL SUMP

KEY	PART NO.	PART NAME	QTY	REMARKS
1	M802255	PIN	2	
2	MIU802276	HOUSING	1	
3	M88659	PLUG	1	
4	AT211675	CAP SCREW	9	
5	MIU802452	BOLT	4	
6	MIU801095	SEAL	1	
7	MIA882146	OIL PAN	1	
8	M806544	DRAIN PLUG	1	
10	M806545	WASHER	1	
11	19M7864	SCREW	16	M8 X 12
12	MIU802254	SENSOR	1	Crank
13	CH19140	BOLT	1	



<https://www.ebooklibonline.com>

Hello dear friend!

Thank you very much for reading.

Enter the link into your browser.

The full manual is available for immediate download.

<https://www.ebooklibonline.com>